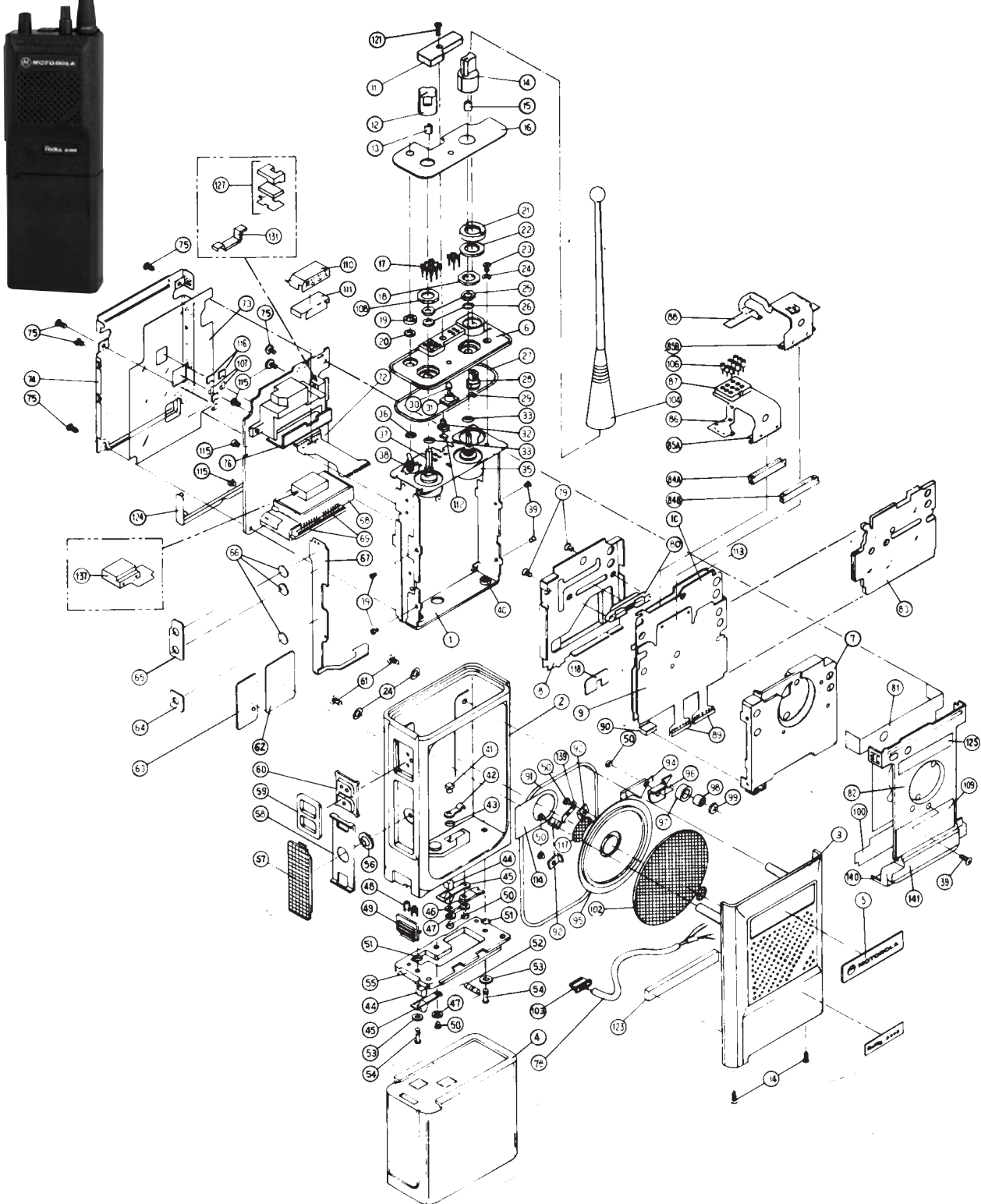


# P200 Series



## Parts List



**Replacement parts may no longer be available**

# P200 Series

## Parts List

REF. NO.	PART NO.	DESCRIPTION
1	<b>0105956M63</b>	Assembly, Frame; includes: *Item 1 frame *Item 40
2	<b>0105952Q46</b>	Assembly, Housing; includes: *Item 2 Housing *Items 56, 58, 59 and 60
3	----	Cover, Front
4	----	Battery
5	<b>1305541S05</b>	Nameplate, Front
6	<b>0105951N41</b>	Assembly, Top Control Panel; includes: *Item 6 Panel *Items 17, 28, 29, and 32
7	<b>1505765R01</b>	Carrier, Flex Top
8	----	Shield, Bottom
9	----	Assembly, Controller Flex; includes: *Item 9 Controller Flex *Items 10, 80, 84, 89, 90 and 118 (The controller flex assembly also includes electrical parts. See note)
10	----	*Shield, Center; part of item 9
11	----	Cover, Dust
12	<b>0105951N79</b>	Assembly, Knob; includes: *Item 12 Knob *Item 13
13	----	*Clip, Push; part of item 12
14	<b>0105950N92</b>	Assembly, Knob; includes: *Item 14 Knob *Item 15
15	----	*Clip, Push; part of item 14
16	<b>1305676R14</b> or <b>1305676R15</b>	Escutcheon (6-freq. radios)  Escutcheon (2-freq. radios)
17	----	*Pin, Contact (P7); part of item 6. See note
18	<b>0405218Q01</b>	Washer
19	<b>0205163Q01</b>	Nut, Spanner
20	<b>0405162Q01</b>	Washer, Flat
21	<b>0205765L02</b>	Nut, Spanner
22	<b>0405216L04</b>	Washer, Flat
23	<b>0300186785</b>	Screw, Phillips Hd., 4-40 x 3/16"
24	<b>0484345A06</b>	Washer, Seal
25	<b>0205629L02</b>	Nut, Hex, 2 req'd
26	<b>0405162Q02</b>	Washer, Flat; 2 req'd
27	<b>3205141Q02</b>	Gasket, "O" Ring
28	----	*Bushing, Antenna; part of item 6
29	----	Lug, Antenna; part of item 6
30	<b>4805729G24</b>	LED, Bicolor (CR413A/CR413B)
31	<b>3205131S01</b>	Seal, LED
32	----	*Stud, Insert; part of item 6
33	<b>3205082E01</b>	Gasket, "O" Ring
34	<b>0300132342</b>	Screw, Phillips; 2-56 x 1/4"
35	<b>4005148Q05</b>	Switch, Frequency (S2)
36	<b>3205141Q03</b>	Gasket, "O" Ring
37	<b>1805100Q04</b>	Switch/Pot, On-Off/Volume (S1/R140)
38	<b>4005101Q02</b>	Switch, PL (S3)
39	<b>0300140369</b>	Screw, Flat Hd.; 2-56 x 1/8"
40	----	*Insert, Frame; part of item 1

REF. NO.	PART NO.	DESCRIPTION
41	<b>4605945K05</b>	Contact Stud, Battery
42	<b>3905127Q01</b>	Contact, B+
43	<b>3205082E24</b>	Gasket, "O" Ring
44	<b>0705830C02</b>	Support, Contact
45	<b>3905421C13</b>	Contact, Battery
46	<b>2905124Q01</b>	Lug
47	<b>040002625</b>	Lockwasher, Split #2
48	<b>4105944K01</b>	Spring, Battery Latch
49	<b>5505536P01</b>	Latch
50	<b>0300139444</b>	Screw, Phillips Hd.; 2-56 x 5/32"
51	<b>3205082E03</b>	Gasket, "O" Ring
52	<b>6505214E05</b>	Fuse, (F-1)
53	<b>0400009761</b>	Lockwasher, Split #4
54	<b>0305941K01</b>	Screw
55	<b>6405531P02</b>	Plate, Base
56	----	*Actuator, PTT; part of item 2
57	<b>4505535P01</b>	Lever, PTT
58	----	*Retainer, PTT; part of item 2
59	----	*Plate, Actuator Button; part of item 2
60	----	*Button, Actuator; part of item 2
61	<b>0305137Q04</b>	Screw, Phillips; 4-40 x 5/16"
62	----	Label FCC
63	----	Label
64	----	*Seal, Dome (PTT); part of item 67
65	----	*Seal, Dome (Mon); part of item 67
66	----	*Contact, Snap Dome; part of item 67
67	<b>0105951N40</b>	Assembly, B+ /PTT Flex; includes: *Item 67/Flex *Items 64, 65 and 66
68	----	Housing, VCO
69	<b>2805144Q01</b>	Plug (P3, P4)
70	<b>0300139939</b>	Screw, Flat Hd.; 2-56 x 5/32"
72	----	Typical Circuit Board
73	----	Insulator, Back Shield
74	<b>2605775R02</b>	Shield, Main Back
75	<b>0300136783</b>	Screw, Phillips Hd.; 2-56 x 5/16"
76	----	Shield, Heatsink
78	----	*Tubing, Heat Shrink; part of item 9
79	<b>0300138620</b>	Screw, Phillips; 2-56 x 5/16"
80	----	*Header, part of item 9
81	----	Insulator, front shield; part of item 82
82	----	*Assembly, Front Shield; includes items 81, 100, 109 and 125
83	----	Insulator, Flex
84A	----	*Jack (J2), part of item 9
84B	----	*Jack (J1), part of item 9
85A	----	*Jack (P2), part of item 86
85B	----	*Jack (P1), part of item 88
86	----	Assembly, Volume Pot Flex; includes: *Item 86 Volume Pot Flex *85A, 87 and 106
87	----	*Header, part of item 86
88	<b>0105956M68</b>	Assembly, Frequency Switch Flex; includes: *Item 88 Frequency Switch Flex *Item 85B

REF. NO.	PART NO.	DESCRIPTION
89A	----	*Jack (J3), part of item 9
89B	----	*Jack (J4), part of item 9
90	----	*Jack (J5), part of item 9
91	<b>3205141Q01</b>	Gasket, "O" Ring
92	<b>4205140Q01</b>	Clamp, Speaker
93	----	Not used
94	----	*Flex, Microphone; part of item 98
95	<b>5005155Q03</b>	Speaker (LS1)
97	----	*Boot, Microphone; part of item 98
98	<b>0105956M62</b>	Assembly, Microphone; includes: *Item 98 Microphone *Items 78, 94, 97, 98 and 103
99	<b>7505564S01</b>	Pad, Microphone Boot
100	<b>1405141S01</b>	Insulator, part of item 82
102	<b>3505152J01</b>	Felt, Speaker
103	<b>2805250Q01</b>	*Plug (P5), part of item 98
104	----	Antenna (See antennas supplied in this section)
105	----	Not used
106	----	*Sockets (J7), part of item 86
107	<b>3905509R02</b>	Contact, 3 req'd
108	<b>0405534R01</b>	Washer, Flat
109	----	Label, Instruction, part of item 82
110	----	Shield, I-F; includes item 111
111	<b>1405496R01</b>	Insulator, I-F Shield
112	<b>3905130N01</b>	Contact Strip
113	----	Shield
114	<b>1405299Q01</b>	Insulator, Speaker
115	<b>0300136771</b>	Screw, Phillips; 2-56 x 3/16"
116	----	Support, Rubber
117	<b>7505501R02</b>	Pad, Speaker
118	<b>2605762R01</b>	Shield, Controller Flex, part of item 9
121	<b>0305103S01</b>	Screw, Captive #4-40
123	<b>7505501R03</b>	Pad, Front Cover
124	<b>2605123S01</b>	Shield, Back
125	----	Label, Instruction; part of item 82
127	----	Assembly, Antenna Switch
133	----	Insulator, Buffer
135	<b>0705168S01</b>	Spacer, Connector
137	----	Assembly, Buffer Shield
138	----	Shield, Trimmer Pot
139	<b>3905178S01</b>	Contact, Front Cover
140	<b>2605149S01</b>	Shield, VCO Side
141	<b>2605150S01</b>	Shield, VCO Top
142	----	Insulator, Front Shield

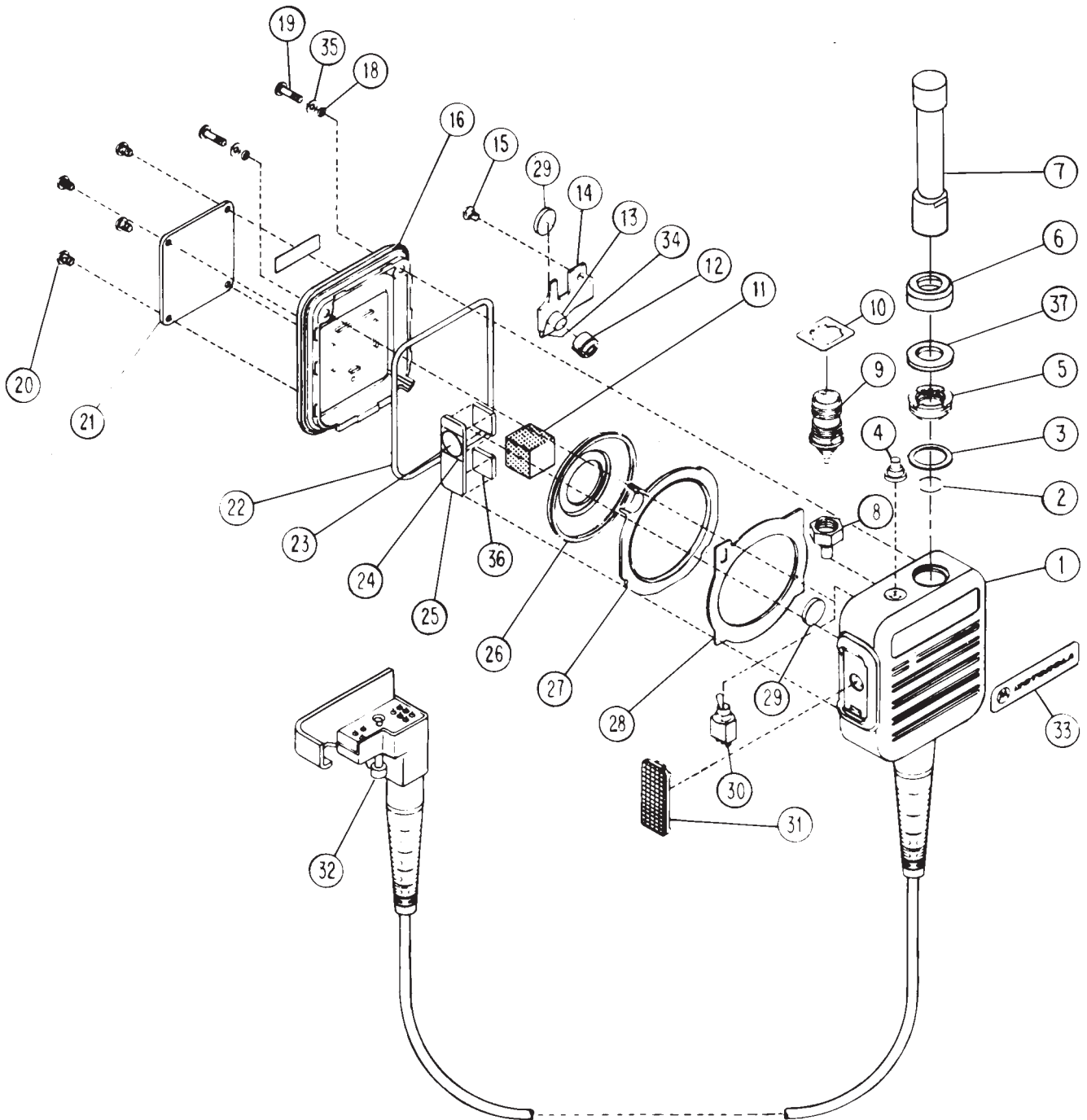
\* NOTE: Refer to Electrical Parts List for part number and description.

\* Not field replaceable, order parent ASSEMBLY.

**Cancelled Product P200:  
Aftermarket support criteria has  
been met for spare parts. Items  
may no longer be available.**

**P200 Series**

*Parts List*



# P200 Series

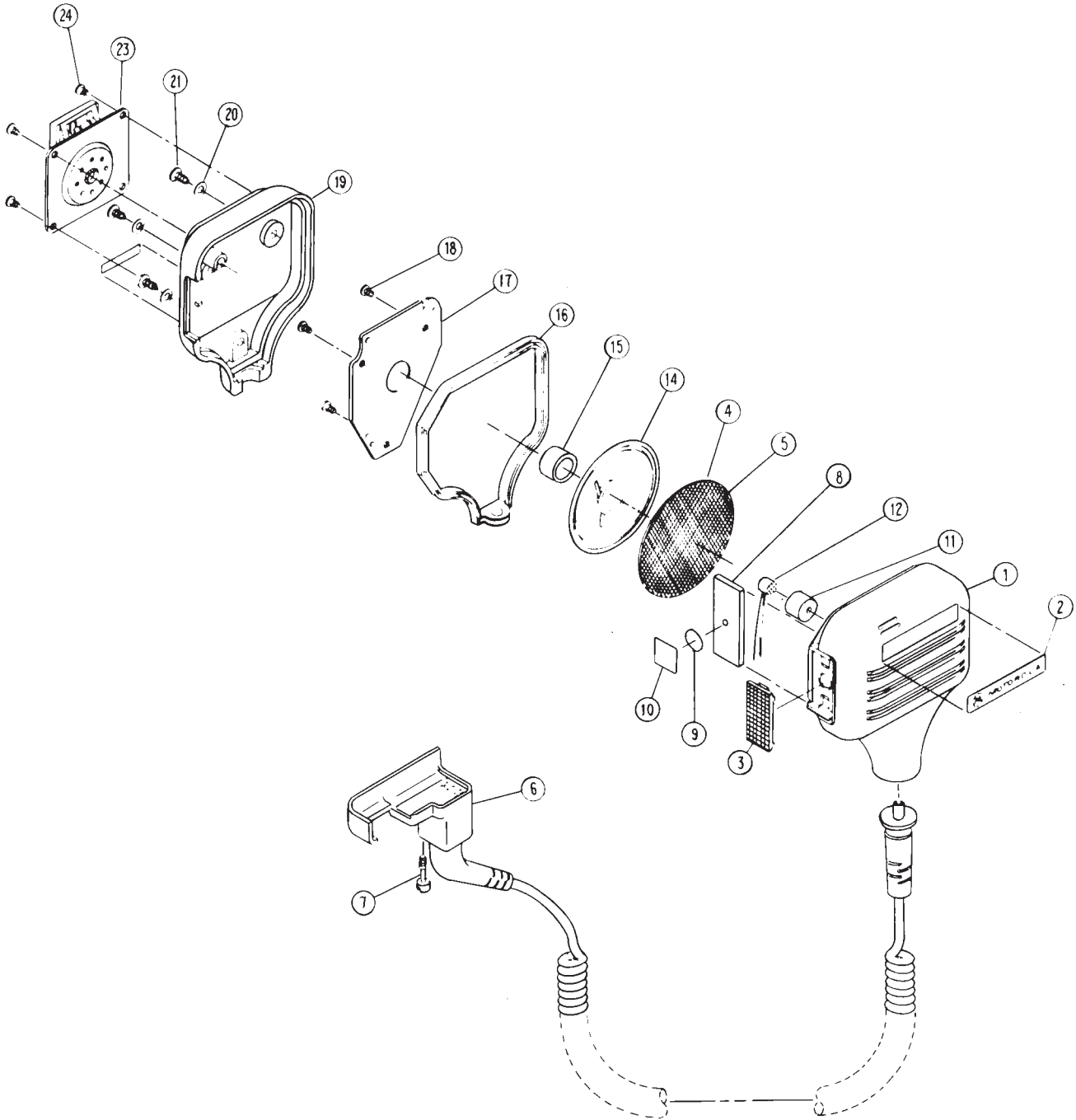
## Parts List

### Speaker Microphone Assembly NTN5559A

REF. NO.	PART NO.	DESCRIPTION	REF. NO.	PART NO.	DESCRIPTION	REF. NO.	PART NO.	DESCRIPTION
1	<b>0105954P63</b>	Assembly, Housing, Cable and Accessory Connector; includes items 28, 29, 31 and 32	8	<b>0205541C01</b>	Nut, Special	26	<b>5005910P04</b>	Speaker, (LS1)
2	<b>3205082E69</b>	Gasket, "O" Ring	9	<b>0905261B01</b>	Connector, RF	27	<b>4305407R01</b>	Spacer, Speaker
3	<b>0405465C02</b>	Washer, Plastic	10	<b>0405327S01</b>	Washer, Bearing	28	<b>3205190R01</b>	Pad, Seal
4	<b>0205791P01</b>	Nut, Toggle Seal	11	<b>7582154D33</b>	Pad, Speaker	29	<b>7505136L03</b>	Pad, Silicon Sponge (2 req'd)
5	<b>0205326S01</b>	Nut, Antenna	12	<b>1405490Q01</b>	Boot, Microphone	30	<b>4005680K04</b>	Switch, Toggle (S2)
6	<b>3205325S01</b>	Seal, Washer	13	<b>5005227J02</b>	Microphone (MK1)	31	<b>4505211R03</b>	Lever, PTT
7	<b>8505355K03</b>	Antenna (must be ordered separately)	14	<b>0105954P68</b>	Printed Circuit Board, Main	32	<b>0305425R02</b>	Screw, Captive
	<b>8505355K04</b>	Antenna (440-470 MHz) (must be ordered separately)	15	<b>0300139047</b>	Screw, Cutting	33	<b>3305269R01</b>	Label, Nameplate
	<b>8505309N11</b>	Antenna (470-512 MHz) (must be ordered separately)	16	<b>0105955P12</b>	Assembly, Cover	34	<b>8405213S01</b>	Printed Circuit, Flexible
			18	<b>3205082E03</b>	Gasket, "O" Ring (2 req'd)	35	<b>0405465C01</b>	Washer, Plastic (2 req'd)
			19	<b>0382210E19</b>	Screw, Cover-captive: #4-40 (2 req'd)	36	<b>1405424D04</b>	Insulator (2 req'd)
			20	<b>0300139939</b>	Screw, Pad Retainer (4 req'd)	37	<b>0405910D01</b>	Washer, Insulator
			21	<b>7505385P01</b>	Pad, Hook			
			22	<b>3205082E63</b>	Gasket, "O" Ring			
			23	<b>3905834K07</b>	Dome, PTT (S1)			
			24	<b>3205264L06</b>	Seal, PTT			
			25	<b>8405296R02</b>	Printed Circuit Board, PTT			

**P200 Series**

*Parts List*



# P200 Series

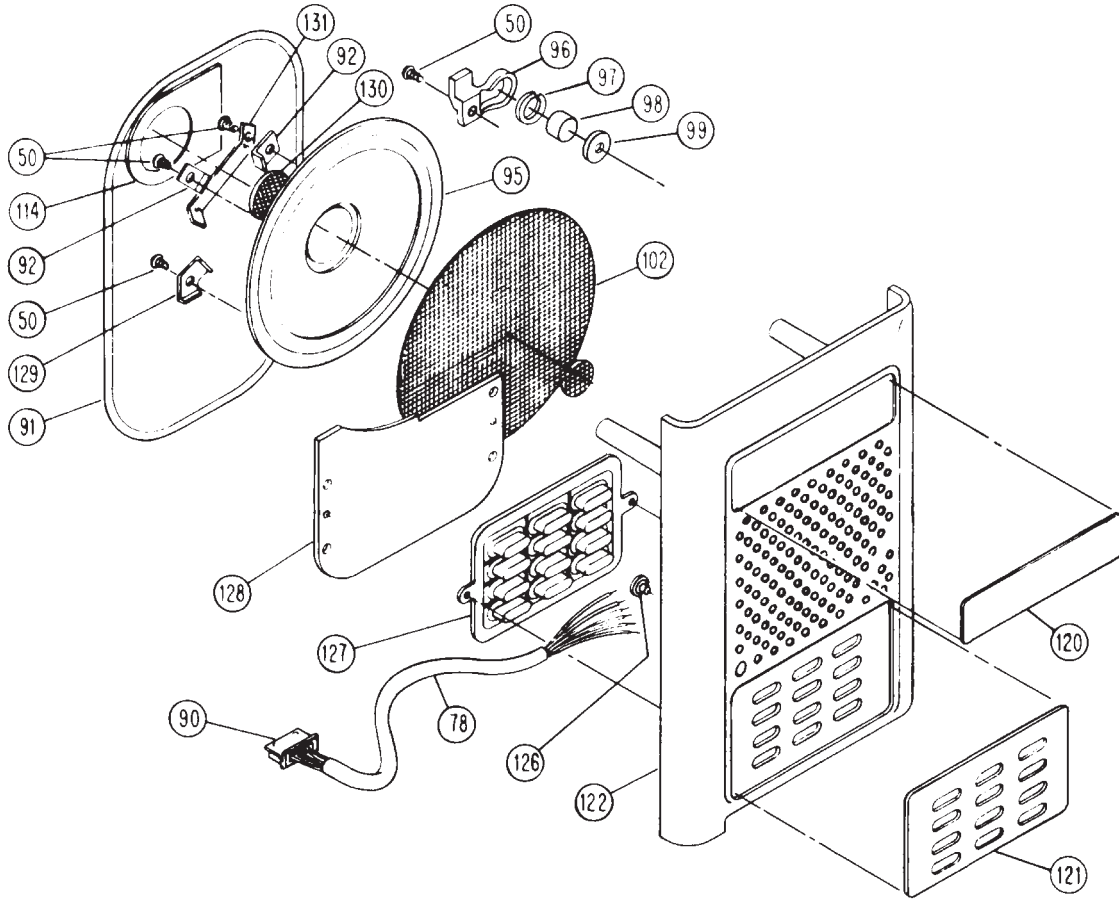
## Parts List

### Speaker Microphone Assembly NTN6153A

REF. NO.	PART NO.	DESCRIPTION	REF. NO.	PART NO.	DESCRIPTION	REF. NO.	PART NO.	DESCRIPTION
1	<b>0102701J97</b>	Assembly, Front Housing; includes items 1 thru 5	9	<b>3905834K04</b>	Switch, Snap Dome Contact (S1)	19	<b>1505172Q01</b>	Housing, Back
2	<b>3305259Q01</b>	Nameplate, Motorola	10	<b>3205231Q01</b>	Seal, Dome	20	<b>0484345A06</b>	Washer, Seal, 3 used
3	<b>4505182Q01</b>	Lever, PTT	11	<b>1405219Q01</b>	Boot, Microphone	21	<b>0305137Q02</b>	Screw, Phillips, 3 used
4	<b>3505152J01</b>	Grille, cloth	12	<b>0105953N48</b>	Assembly, Microphone (MK1); includes items 11 and 12	23	<b>0105959N54</b>	Assembly, Belt Clip; includes items 23 and 24
5	<b>1105461R01</b>	Adhesive	13	----	Not used	24	<b>0300139444</b>	Screw, Phillips; 2-56 x 5/32", 4 used
6	<b>NKN6416B</b>	Assembly, Cable and Connector; includes items 6 and 7	14	<b>5005910P04</b>	Speaker (LS1)			
7	<b>0305425R01</b>	Screw, Captive	15	<b>7505283Q02</b>	Pad, Speaker			
8	<b>0105953N46</b>	Assembly, Printed Circuit Board; includes electrical components	16	<b>3205690R01</b>	Gasket			
			17	<b>6405689R01</b>	Plate, Housing Mounting			
			18	<b>0300139444</b>	Screw, Phillips, 2-56 x 5/32", 3 used			

**P200 Series**

*Parts List*



# P200 Series

## Parts List

### DTMF FRONT COVER NTN5554A, NTN5555A, NTN5553A

REF. NO.	PART NO.	DESCRIPTION	REF. NO.	PART NO.	DESCRIPTION	REF. NO.	PART NO.	DESCRIPTION
50	<b>0300139444</b>	Screw, #2-56 x 5/32"	99	<b>7505564S01</b>	Pad, Microphone	131	<b>3905178S01</b>	Contact, Front Cover
78	<b>3700132526</b>	Tube, Heat-shrink	102	<b>3505152J01</b>	Felt, Speaker	132	<b>0405179S01</b>	Washer
90	<b>2805250Q02</b>	Connector, 6-pin (P5)	114	<b>1405299Q01</b>	Insulator, Speaker			
91	<b>3205141Q01</b>	"O" Ring, Front Cover	120	<b>1305540S03</b>	Nameplate, Front			
92	<b>4205140Q01</b>	Clamp, Speaker	121	<b>1305728R02</b>	Escutcheon			
95	<b>5005155Q03</b>	Speaker	122	----	*Front Cover			
96	<b>4202036J01</b>	Retainer, Microphone	126	----	*Switch, Actuator			
97	----	Not used	127	----	*Switch, Keypad			
98	<b>5013920A01</b>	Microphone	128	----	*Circuit Board			
	<b>1405299L02</b>	Boot	129	<b>0705456R01</b>	Bracket, Speaker/PCB			
	<b>7505564S02</b>	Pad	130	<b>7505501R02</b>	Pad, Speaker			

*\*Not field replaceable.*

*Order applicable DTMF Front Cover Kit: NTN5554A, NTN5555A or NTN5553A.*



# P200 Series

## Portable Accessories

### Chargers

#### Single Unit

**NTN5538C** Rapid Charger

**NTN5540B**

Compact Charger



NTN5538C

#### Multi-Unit



NTN4668C

**NTN4668C** Six Unit Rapid Rate Charger

**NLN7967A** Wall Mount for Six Unit Charger



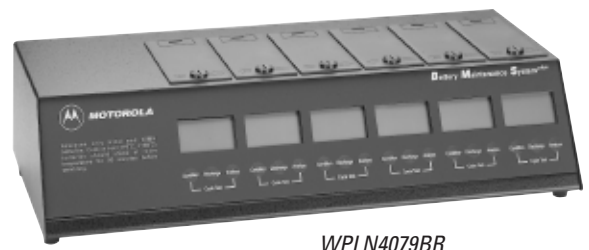
NLN7967A

### Battery Maintenance System<sup>plus</sup> (BMS<sup>plus</sup>)

Using interchangeable battery adapters (sold separately), the BMS<sup>plus</sup> is capable of charging and discharging, analyzing, conditioning and cycle test on batteries; tracking battery voltage and capacity (mAh). The BMS<sup>plus</sup> offers a 3 year warranty. Its easy-to-use design supports hundreds of 2-way, cellular, and camcorder batteries with printer port\* (Serial-RS-232C port – uses female 9-pin to male 25-pin cable).

**WPLN4079BR** Six-Station, 110V AC, 50/60 Hz

**WPLN4080BR** Six-Station, 230V AC, 50/60 Hz



WPLN4079BR

#### BMS<sup>plus</sup> Adapter

**TDN9441A** Standard Adapter, P200

\*Compatible with the STAR Micronics SP200 series printers, available from any STAR Micronics distributor, and other printers with STAR emulation.

## P200 Series

## Portable Accessories

### Battery Optimizing System II (BOS II)



WPLN4124AR

No other battery analyzer matches the speed, accuracy, and versatility of the Battery Optimizing System II. Ideal for large fleet, public safety, and all other users who rely on their battery performance. Now with increased power, more sophisticated programming options, and easier to use navigation paths, optimizing your batteries was never easier. Key features include:

- Support for NiCd, NiMH, Li-ion, and SLA batteries
- 100 watt power supply and programmable from 100 mA to 4 amps per station
- Interchangeable adapters accommodate all major brands
- Includes a variety of user programs and allows for customizable programming
- Proprietary recondition cycle restores NiCd and NiMH batteries
- Increased processing power and testing resolution – including a three minute Quicktest that measures the batteries State of Health (SoH)
- Printer output for reports and labels
- Three year warranty

**WPLN4124AR** BOS II, Four-Station, 100-240V AC (US line cord)

**WPLN4125AR** BOS II, Four-Station, 100-240V AC (UK/Euro line cords)

### **BOS II Adapter**

**RL-71163** Standard Adapter, P200

### Motorola Conditioning Charger (MCC)



WPPN4009BR

The MCC will help extend battery life and enhance battery operation. It will safely condition and charge your specified Nickel Cadmium (NiCd) and Nickel Metal Hydride (NiMH) batteries in approximately an hour.

**WPPN4009BR** 110V AC Base Charge Unit with adapter plates

**3080384G15** Cigarette Lighter Adapter Cord

**RLN4814A** Mounting Bracket for single unit conditioning chargers

# P200 Series

## Portable Accessories

### Carrying Accessories

#### Carrying Cases

A variety of carrying accessories are available for your comfort and convenience. The carrying cases are available in sizes designed to fit your radio & battery and permit audio to be heard clearly.

#### Swivel

**NTN5450B** Leather Carry Case, DTMF Access for High Capacity or Alkaline Batteries

**NTN5549A** Leather Carry Case, for Medium Capacity Batteries

**NTN5461B** Leather Carry Case, for High Capacity or Alkaline Batteries



NTN5450B



NTN5460B

#### Standard

**NTN5548A** Leather Carry Case with Belt Loop for Medium Capacity Batteries

**NTN5460B** Leather Carry Case with Belt Loop for High Capacity or Alkaline Batteries

#### Carry Holder

**NTN4814C** Urethane Carry Holder with Attached Belt Clip



NTN4814C

#### T-Straps

**4205386S01** T-Strap for Velcro Carry Cases

**4205386S03** T-Strap, Snap

**4205447R03** T-Strap for Belt Clip Carry Holder, Snap



4205386S01

**NTN5243A** Carry Case Shoulder Strap

### Carrying Accessories

**4305525R02** Spacer for use with Medium Capacity Batteries in Large Carry Cases



4305525R02

#### Belt Clip

**NTN5533A** 3" Belt Clip



NTN5533A

#### Swivel Belt Loop

**4205857B01** 2" Swivel Belt Loop



4205857B01

#### Belt

**4200865599** 1.75" wide leather belt



NLN8410A

**NLN8410A** Velcro Pin Patch Attachment for use with Public Safety Remote Speaker Mic

#### Universal Carry Accessories

**HLN6602A** Universal Chest Pack with Radio Holder, Pen Holder and Velcro Secured Pocket

**1505596Z02** Replacement Strap for HLN6602



HLN6602A

**RLN4815A** Universal RadioPAK™ with Radio Holder. Worn around waist with adjustable belt. Includes attached 6" by 8" zippered pouch for other job necessities

**4280384F89** Universal RadioPAK™ belt lengthener; fits waists larger than 40"

**RLN4570A** Break-A-Way Chest Pack; all of the same features as the original chest pack (HLN6602A) plus break-a-way tabs that allow that allow the entire pack to be pulled off with approximately 10 lbs of pressure.

# P200 Series

## Portable Accessories

### Carrying Accessories



TDN9327A

#### Portable Radio Hanger

The portable radio hanger slides over and hangs from the door panel in a vehicle. The radio's belt clip slides onto the portable hanger allowing convenient, easy mounting.

**TDN9327A** Portable Radio Hanger for Door Panels up to 2-3/4"

**TDN9373A** Portable Radio Hanger for Door Panels 2-3/4" to 3-1/4"

### Audio/Signalling Accessories

#### Audio and Signalling Accessories

**NSN6008A** Lapel Speaker  
(Requires both Adapters)

**ZMN6032A** Surveillance Microphone, PTT Earpiece (Requires NTN5560C)

**5083693B01** Earpiece with Volume Control  
(Requires NTN5557A)

**5005178K01** Earpiece without Volume Control (Requires NTN5557A and 5880378B84 When Not Used with NMN6145B)

**NTN5557A** Earphone Jack Adapter



NTN5557A

**5880378B84** 2.5mm to 3.5mm Jack Adapter

**NTN5560C** Audio Accessory Adapter, Hirose



NSN6008A



5005178K01



NTN5560C

### Audio/Signalling Accessories



NMN6156B

**NMN6156B** Remote Speaker Microphone

**NMN6145B** Remote Speaker Microphone with Earpiece Jack

**5005178K01** Receive-only Earpiece (for use with NMN6145B)

**NTN5554A** DTMF Standard Tone Retrofit Kit

#### Epaulet Strap

Black leather epaulet straps secure remote speaker microphones to epaulet of shirts or jackets and attach around cord. Allows reliable communications in hostile environments with Velcro or clip style strap.

**RLN4294A** Epaulet Strap, Velcro

**RLN4295A** Epaulet Strap, Small Clip



RLN4294A



RLN4295A

#### Ear Microphone System

This compact unit picks up the voice through bone vibrations in the ear canal. Ideal for use in high noise environments. Available in PTT or Voice-activated (VOX) capabilities for total hands free communications.

**Order Interface Module separately.**

**BDN6677A** Ear Microphone for Standard Noise Levels (up to 95 db), Black

**BDN6678A** Ear Microphone for Standard Noise Levels (up to 95 db), Beige

**BDN6641A** Ear Microphone for High Noise Levels (up to 105 db), Grey



BDN6677A

# P200 Series



## Portable Accessories

### Audio/Signalling Accessories

#### Interface Module

**BDN6656B** Push-To-Talk Interface Module

**BDN6657B** Voice-Activated Interface Module

#### Optional Accessories

**0180358B38** Remote Push-To-Talk Ring Switch

**0180300E83** Remote push-to-talk body switch

**0180300E25** Earguard with Adjustable Loop



0180358B38



0180358B83



0180358B33

**0180358B32** Earholder, Black, Size Small

**0180358B33** Earholder, Black, Size Medium, secures ear mic in ear

**0180358B34** Earholder, Black, Size Large, secures ear mic in ear

**0180358B35** Earholder, Clear, Size Small, secures ear mic in ear

**0180358B36** Earholder, Clear, Size Medium, secures ear mic in ear

**0180358B37** Earholder, Clear, Size Large, secures ear mic in ear

**4280369E44** Replaceable Belt Clip with Screws

**5080358B28** Eartips, Black, Size Medium (10 per pack)

**5080358B29** Eartips, Black, Size Large (10 per pack)

**5080358B30** Eartips, Beige, Size Medium (10 per pack)

**5080358B31** Eartips, Beige, Size Large (10 per pack)

### Audio/Signalling Accessories

#### Headsets

Heavy duty headsets include Noise-Cancelling Microphones and can be worn with or without a hardhat. Headsets are for use in noise levels up to 125 dB. The Push-To-Talk switch is located on the earcup. The Vox module is contained within the headset on voice activated units. Heavy duty headsets require radio adapter cable.

**BDN6645A** Push-To-Talk Headset with Boom Microphone, Requires Adapter Cable



**BDN6645A**  
(Shown with adapter cable BDN6673B)



**BDN6635B**  
(Shown with adapter cable BDN6673B)

**BDN6635B** Voice-Activated Headset with Boom Microphone, Requires Adapter Cable

**BDN6636B** Voice-Activated Headset with Throat Microphone, Requires Adapter Cable



**BDN6636B**  
(Shown with adapter cable BDN6673B)

**BDN6673B** Radio Adapter Cable

# P200 Series



## Portable Accessories, Antennas

### Audio/Signalling Accessories

#### Lightweight Headset

**RMN4015A** Lightweight Headset with Swivel Boom Microphone, Single Speaker and In-line PTT

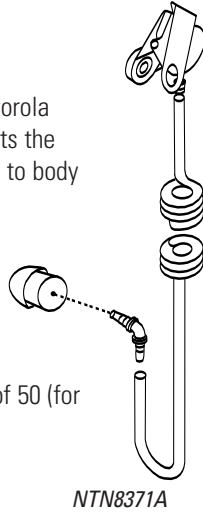
#### Noise Kits

Lightweight translucent tube attaches to Motorola surveillance accessories. Clothing clip prevents the accessory from being pulled from the ear due to body movement or head rotation.

**NTN8370A** Extreme Noise Kit, includes 2 foam earplugs for loud environments

**NTN8371A** Low Noise Kit, includes rubber eartip for low noise environments

**5080384F72** Replacement Foam Plugs. Pack of 50 (for use with NTN8370A)



NTN8371A

#### Clear Comfortable Earpiece

The clear comfortable earpiece forms to the inside of your ear and is perfect for low noise environments. Compatible with the NTN8371A, clear acoustic tube assembly, and most surveillance kits (1-, 2- and 3-wire). This earpiece is made of easy-to-clean chemically inert, hypoallergenic material.

There are 3 items needed to make this product work:

1. Clear Comfortable Earpiece
2. Clear Acoustic Tube Assembly (NTN8371A)
3. Surveillance Kits

**RLN4760A** Small Custom Earpiece, right ear

**RLN4763A** Small Custom Earpiece, left ear

**RLN4761A** Medium Custom Earpiece, right ear

**RLN4764A** Medium Custom Earpiece, left ear

**RLN4762A** Large Custom Earpiece, right ear

**RLN4765A** Large Custom Earpiece, left ear



RLN4760A

RLN4763A

### Portable Antennas

#### Heliflex Antennas

Motorola Heliflex antennas are specifically engineered for maximum output and greatest communication coverage.

**8505816K22**  
Heliflex Molded, 136-150.8MHz, 6.5"

**8505816K21**  
Heliflex Molded, 150.8-162MHz, 6"

**8505816K23**  
Heliflex Molded, 162-174MHz, 6"

**8505816K24**  
Heliflex Molded, 403-430MHz, 3"

**8505816K25**  
Heliflex Molded, 440-470MHz, 3"

**8505816K26**  
Heliflex Molded, 470-512MHz, 3"

**8505309N09**  
Antennas for public safety microphones-400-440 MHz

**8505309N10**  
Antennas for public safety microphones- 440-470 MHz

**8505309N11**  
Antennas for public safety microphones- 470-512 MHz



8505816K22

8505816K23

8505816K24



# P200 Series



## Batteries, Service Tools

### Portable Batteries

#### Nickel-Cadmium Premium

Part Number: **NTN5521B**

Volts: 10

Avg. mAh: 1100

Height: 3-5/16"

Intrinsically Safe: No



NTN5521B

Part Number: **NTN5531B**

Volts: 10

Avg. mAh: 630

Height: 2-7/16"

Intrinsically Safe: No



NTN5531B

Part Number: **NTN5545B**

Volts: 10

Avg. mAh: 1000

Height: 3-5/16"

Intrinsically Safe: Yes



NTN5545B

### Service Tools

**RSX4043A** Adjustable Torque Screwdriver (Order Bits Separately)



RSX4043A

**6680371B34** Spanner Tool Bit, for Antenna Bushing Nut

**6680371B03** Nut Driver Bit, for Volume and rotary Switch Nuts

**6680370B95** Spanner Tool Bit, for Toggle Switch Nut

**6680321B79** Phillips Power Bit #1, for Radio Screws

**6680321B86** Phillips Bit #0, for Radio Screws

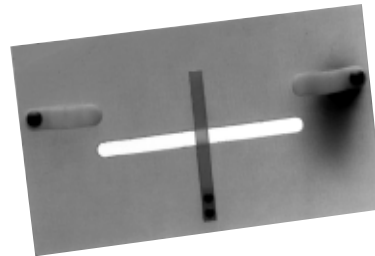


6680321B86

#### Control Flex Hold Down Fixture

Provides a secure mount for the Radius P200 controller flex when removing and replacing I.C. Chip Carriers and components using the Surface Mount Service Center.

**0180371B37** Controller Flex Hold Down Fixture



0180371B37

#### Radio Interface Box

Links radio programming cable and computer interface together. Provides required voltage shift to enable communications between radio and computer.



RLN4008E

**RLN4008E** Radio Interface Box

#### Programming Cable

Connects radio interface box to radio for programming.

**0180358A62** Programming Cable

# P200 Series

## Service Aids, Manuals

### Service Aids



0180357A57

#### Wall Mounted Power Supply

Used to supply power to radio interface box, RLN4008E

**0180357A57** Wall Mounted Power Supply, 110 Volts

**0180358A56** Wall Mounted Power Supply, 220 Volts

#### RF Adapter Cable

Connect radio RF directly to test equipment.

**RKN4000A** RF Adapter Cable Terminated with BND Female, Opposite End Fits Antenna on Radio



RKN4000A

#### Cloning Cable

**NKN6376A** Allows a P200 radio to be duplicated from a master radio by transferring programmed data from one radio to another

#### Controller Flex Extender Fixture

**REN4000A** Eases in troubleshooting of controller flex and RF board

#### Reference Oscillator Tuner Box

**RPX4726A** Tuning the Alternate Oscillator for low band



RTL4226B

#### Battery Eliminator

**RTL4226B** Interconnects radio to power supply

### Service Aids

#### Battery Adapter

**1580368B62** Connects radio to battery eliminator without main housing

#### Radio Text Cable

Interconnects the radio with RTX4005B radio test set.

**RTK4205C** Test Cable Used with RTX4005B

#### Radio/Computer Interface Cable

Used to connect computer's serial port to Radio Interface Box.

**3080369B71** Cable, RIB to 25 pin D

**3080369B72** Cable, RIB to 9 pin D



3080369B71

#### Programming Software

Utilizing your personal computer, this software enables you to add/or reprogram frequencies as your requirements change. Compatible with IBM XT, At Model 30, 50, 60, and 80. Requires Radio Interface Box and proper cables, order separately.

**RVN4134B** Programming Software (includes manual and storage box)

### Manuals

**6881059C25** 146-174 MHz

**6881059C30** 403-470 MHz

**0180305J46** Ear Microphone System and Temple Transducer CD-ROM



Over 7 million customers have made MyRadioMall.com America's #1 choice when it comes to dependable and reliable Motorola Communications at fantastic prices.

We are now celebrating our 12th year of online service and the best is yet to come.



Advanced Radio Systems, Inc  
8726 NW 26 Street #6  
Miami, Florida 33172  
Voice Numbers: 305-884-1795  
Toll Free: 1-866-900-Mall (6255)  
Fax Number: 305-884-1985

12/25/2006