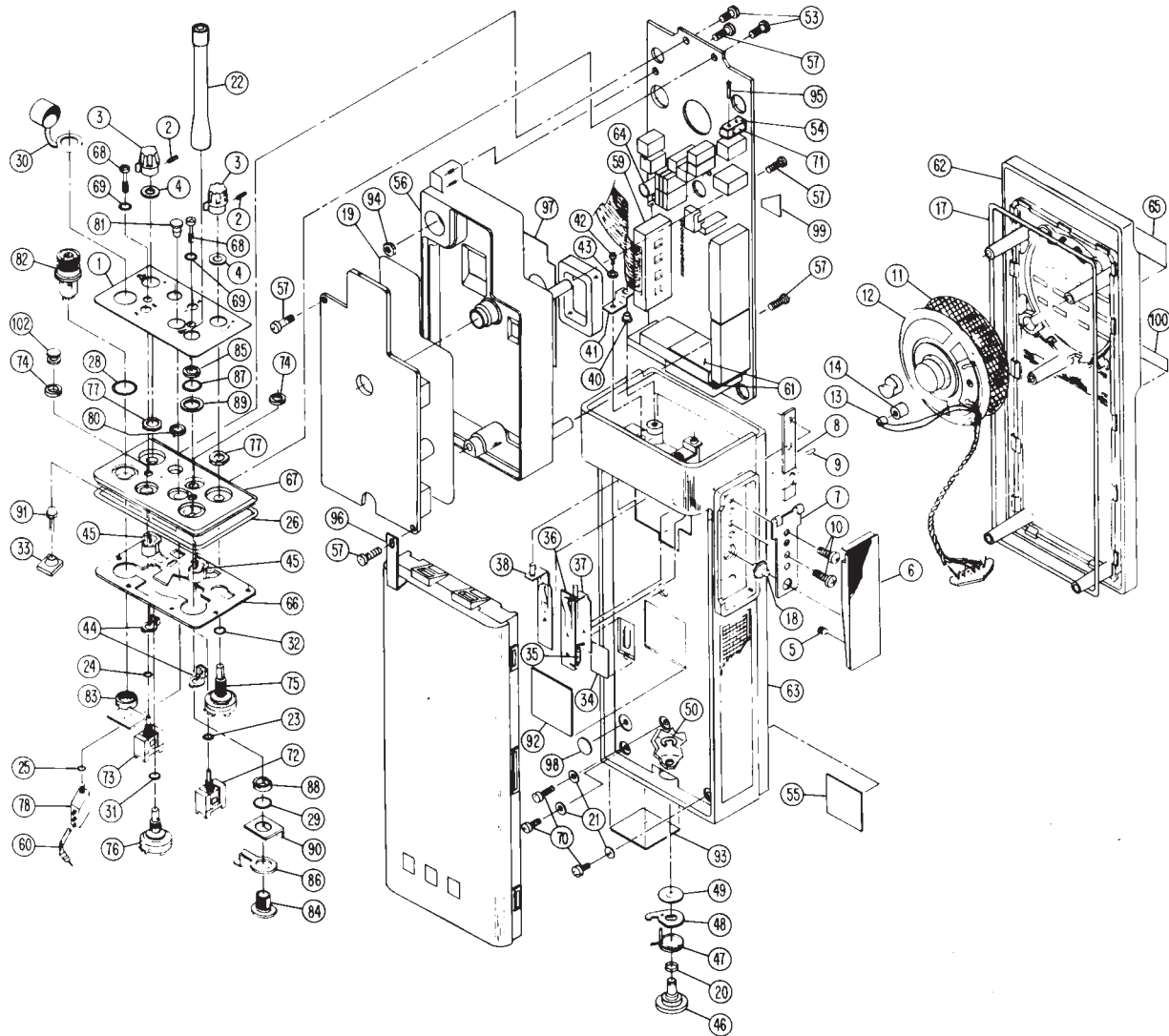


P100 Series

Parts List



Replacement parts may no longer be available

P100 Series

Parts List

REF. NO.	PART NO.	DESCRIPTION
1	1305227Q01 or 1305227Q02	Escutcheon (High/Low Power Models only) Escutcheon (Low Power Models only)
2	0383174C02	Screw, Set
3	3605207J03	Knob, Volume and Squelch
4	0405171J02	Washer, Nylon; Black
5	4182093A07	Spring, Actuator; Coiled
6	4505244Q01	Actuator, Push-to-Talk
7	0705175J01	Bracket, Actuator
8	4105176J01	Spring, Actuator
9	2205390M01	Pin, Retainer
10	0305466C02	Screw, Special; 4-40 x 0.140"
11	3505143Q04	Adhesive, Felt
12	5005234Q01	Speaker (LS401)
13	5013920A01 1405299L02 7505564S02	Microphone (MK401) Boot Pad
14	1405219Q01	Boot, Microphone
17	3205220Q01	Gasket, Seal
18	3205332K01	Seal
19	----	Insulator – not available
20	3205082E14	Gasket
21	0484345A06	Washer, Seal
22	----	Antenna
23	3205141Q03	Seal, "O" Ring (Freq. Sw)
24	3205141Q03	Seal, "O" Ring (Power Sw)
25	3205082E22	Seal, "O" Ring (RF Jack)
26	3205082E38	Seal, "O" Ring (Control Top)
28	3205082E12	Seal, "O" Ring
29	3205082E21	Seal, "O" Ring
30	----	Seal, Cap
31	3205082E01	Seal, "O" Ring (Sq. Sw)
32	3205082E01	Seal, "O" Ring (Vol. Sw)
33	----	Seal, LED
35	6505214E01	Fuse, (F501), 2 Amp
36	*	Contact, Positive
37	*	Contact, Strap
38	*	Contact, Negative
39	----	Not used
40	----	Bushing, Shoulder
41	3905567L02	Contact
42	0300139444	Screw, Machine 2-56 x 5/32"
43	0400008406	Lockwasher
44	----	Contact
45	**	Bushing
46	4605170J01	Stud, Latch
47	----	Spring, Latch
48	5505150L01	Latch, Pawl
49	0405171J01	Washer, Teflon
50	4210219A25	Retainer, E-Clip
53	0305887J01	Screw, Slotted; 4-40 x 3/16"
55	1305436E01	Label, Patent
56	2602129J01	Shield, Heat Sink

REF. NO.	PART NO.	DESCRIPTION
57	0300139444	Screw, Machine 2/56 x 5/32"
59	0905297Q01	Connector, Flex
60	2905540C01	Lug, Coax
61	1105668K16	Pad, Urethane
62	----	Front Cover – not available
63	----	Assembly, Housing; includes items 36, 37, & 38 – not available
65	3305214Q01	Label, Nameplate
66	**	Plate, Retainer
67	**	Panel, Control
68	0305662D17	Screw, Captive
69	0482418B09	Insulator
70	0300120621	Screw, Phillips; 4-40 x 1/4"
71	----	Switch, PTT (S202)
72	4005233Q01	Switch, Freq. (S201) Toggle
73	4005233Q01	Switch, Pwr. (S203) Toggle
74	0205163Q01	Nut, Spanner
75	1805223Q01	Switch, Volume/On-Off (R202/S204)
76	1805223Q01	Switch, Squelch PL/Disable (R201/S205)
77	0205629L02	Nut, Hex
78	0905786J01	Jack, Antenna
79	----	Not used
80	----	Nut, Spanner – not available
81	0310129A24	Screw, Slotted Nylon
82	RPX4630A	Connector, Universal
83	0205050E07	Nut, Spanner
84	4305199Q01	Bushing, Antenna
85	0205765L02	Nut, Antenna
86	----	Lug, Antenna – not available
87	0405216L04	Washer, Flat
88	1405208L01	Insulator, Antenna Bushing
89	1405210L02	Insulator, Antenna Nut
90	1405232Q01	Insulator, Lug
91	----	LED
92	----	Label, Freq.; not field replaceable
93	----	Label, FCC; not field replaceable
94	0200007007	Nut, Transistor
95	----	Rivet, PTT; not field replaceable
96	----	Strap, Module Retainer
98	3205678R01	Seal
99	----	Ground, Plate
100	3305717R01	Nameplate
101	----	Not used
102	----	Seal, Plug (Low Power only)

*Items 36, 37, & 38 are not field repairable; order applicable Housing Assembly (item 63).

**Items 45, 66, & 67 are not field repairable; order Assembly: 0105955N66.

Cancelled Product P100: Aftermarket support criteria has been met for spare parts. Items may no longer be available.

P100 Series

Portable Accessories

Chargers

Single unit, compact, or multi-unit chargers are available. Provides quick and accurate charge for all RADIUS batteries. The multi-unit charger can be wall or rack mounted; order separately.

Single Unit

NTN4881B Compact, Regular Charge Rate, 117V

4305341T01 Spacer, for Standard Chargers, Allows Battery Charging Without the Radio

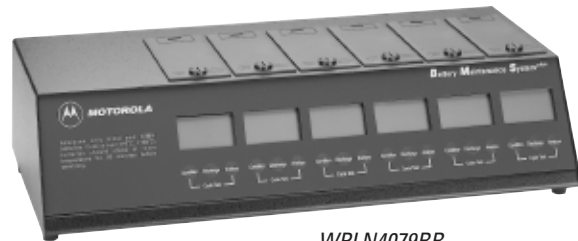
Battery Maintenance System^{plus} (BMS^{plus})

Using interchangeable battery adapters (sold separately), the BMS^{plus} is capable of charging and discharging, analyzing, conditioning and cycle test on batteries; tracking battery voltage and capacity (mAh).

The BMS^{plus} offers a 3 year warranty. Its easy-to-use design supports hundreds of 2-way, cellular, and camcorder batteries with printer port* (Serial-RS-232C port – uses female 9-pin to male 25-pin cable).

WPLN4079BR Six-Station, 110V AC, 50/60 Hz

WPLN4080BR Six-Station, 230V AC, 50/60 Hz



WPLN4079BR

BMS^{plus} Adapter

TDN9449A Standard Adapter, P100

**Compatible with the STAR Micronics SP200 series printers, available from any STAR Micronics distributor, and other printers with STAR emulation.*

P100 Series

Portable Accessories

Battery Optimizing System II (BOS II)



WPLN4124AR

No other battery analyzer matches the speed, accuracy, and versatility of the Battery Optimizing System II. Ideal for large fleet, public safety, and all other users who rely on their battery performance. Now with increased power, more sophisticated programming options, and easier to use navigation paths, optimizing your batteries was never easier. Key features include:

- Support for NiCd, NiMH, Li-ion, and SLA batteries
- 100 watt power supply and programmable from 100 mA to 4 amps per station
- Interchangeable adapters accommodate all major brands
- Includes a variety of user programs and allows for customizable programming
- Proprietary recondition cycle restores NiCd and NiMH batteries
- Increased processing power and testing resolution – including a three minute Quicktest that measures the batteries State of Health (SoH)
- Printer output for reports and labels
- Three year warranty

WPLN4124AR BOS II, Four-Station, 100-240V AC (US line cord)

WPLN4125AR BOS II, Four-Station, 100-240V AC (UK/Euro line cords)

BOS II Adapter

RL-71163 Standard Adapter

Carrying Accessories

Carrying Cases

A variety of carrying accessories are available for your comfort and convenience. The carrying cases are available in sizes designed to fit your radio & battery and permit audio to be heard clearly.



NTN1032B

NTN1032B Urethane Carry Case, for Standard Battery



NTN1033B

NTN1033B Urethane Carry Case, Swivel for Standard Battery (order swivel belt loop separately)

NTN5549A Leather carry case for medium capacity batteries

NTN5548A Leather carry case with belt loop for medium capacity batteries



NTN4865C

Carry Holder

NTN4865C Belt Clip, Carry Holder for Standard Battery



4282421J06

Swivel Belt Loop

4282421J06 2-1/2" Swivel Belt Loop

P100 Series

Portable Accessories

Carrying Accessories



NTN5243A

Carrying Strap

NTN5243A Carrying Strap, Black

Belt

4200865599 1.75" Wide Leather Belt, for all models



4200865599

Universal Carry Accessories



HLN6602A

HLN6602A Universal Chest Pack with Radio Holder, Pen Holder and Velcro Secured Pocket

1505596Z02 Replacement Strap for HLN6602

RLN4815A Universal RadioPAK™ with Radio Holder. Worn around waist with adjustable belt. Includes attached 6" by 8" zippered pouch for other job necessities

4280384F89 Universal RadioPAK™ belt lengthener; fits waists larger than 40"

RLN4570A Break-A-Way Chest Pack; all of the same features as the original chest pack (HLN6602A) plus break-a-way tabs that allow that allow the entire pack to be pulled off with approximately 10 lbs of pressure.



RLN4570A

Audio Accessories

Remote Speaker/Microphone

NTN4849A Remote Speaker/Microphone with Coil Cord



NTN4849A

Ear Piece

NTN5633A Ear Piece



RLN4295A

Epaulet Strap

Black leather epaulet straps secure remote speaker microphones to epaulet of shirts or jackets and attach around cord. Allows reliable communications in hostile environments with clip style strap.

RLN4295A Epaulet Strap, Small Clip

Ear Mikes

Single unit microphone and speaker worn in the ear. Eliminates the need for handheld microphones or conventional headsets. Compact rugged design allows use under hearing protectors and protective clothing. Order cable separately.

RMN4001B Ear Mike, EM200



RMN4001B

0180359A51 Optional PTT Ring Switch for RMN4001A only

0180356B97 Optional PTT Ring Switch for RMN4001B only



0180359A51

P100 Series

Antennas, Batteries, Tools

Portable Antennas

Heliflex Antenna

Motorola Heliflex antennas are specifically engineered for maximum output and greatest communication coverage.

HAD9338AR

Heliflex, 136-150.8 MHz, 6"



NAD6502AR

NAD6502AR

Heliflex, 150.8-162 MHz, 6"

HAD9337A

Heliflex, 163-175 MHz, 5"

Flexible Whip

Flexible Whip antennas have a one-piece finish and steel core for optimal radiation characteristics. Provides more comfort when radio is worn on the belt.

NAE6483AR

Flexible Whip, 403-520 MHz, 6"



NAE6483AR

Portable Batteries

Nickel-Cadmium Premium

Part Number: **NTN5451B**

Volts: 10

Avg. mAh: 1100

Height: 5-7/16"

Intrinsically Safe: No



NTN5451B

Alignment Tools

6605106N01 Tuning Tool, Adjusts Tunable Coils (except L300, Preselector Ref Oscillator Frequency, and Trimmer Caps)



6605106N01

6680384B73 Tuning Tool, Adjusts Tunable L300 Coil

Service Tools

RSX4043A Adjustable Torque Screwdriver, Order Bits Separately



RSX4043A

6680371B34 Spanner Tool Bit, for Antenna Bushing Nut

6680371B34

6680371B03 Nut Driver Bit, for Volume Switch Nut

6680370B95 Spanner Tool Bit, for Toggle Switch Nut

6680321B79 Phillips Power Bit #1, for Radio Screws

6680321B86

6680321B86 Phillips Bit #0, for Radio Screws

P100 Series

Service Aids

Service Aids

Radio Interface Box

Links radio programming cable and computer interface together. Provides required voltage shift to enable communications between radio and computer. Requires computer interface cable, radio test and programming cable, and 9 volt snap type battery (6082728J01), order separately.



RLN4008E

RLN4008E Radio Interface Box



0180357A57

Wall Mounted Power Supply

Used to supply power to radio interface box, RLN4008E

0180357A57 Wall Mounted Power Supply, 110 Volts

0180358A56 Wall Mounted Power Supply, 220 Volts

Interface Cable

Used to connect computer's serial adapter to radio interface box.

3080369B71 Cable, RIB to 25 pin D

3080369B72 Cable, RIB to 9 pin D



3080369B71

Service Aids

Radio Test and Programming Cable

Used with Portable Radio Test Set, RTX4005, for transmitter, receiver alignment and performance checks. Also used in programming radio.

RTK4038B Test and Programming Cable, Testing Done with Radio Front Cover Off

Battery Eliminator/Program Cable

Allows use of external power supply to power radio. Also used to program radio parameters. Reverse supply polarity/input protection provided.



RTK4208B

RTK4208B Battery Eliminator/Program Cable

P100 Series

Service Aids, Manuals

Service Aids



2680367B50

Heat Sink

Allows the power transistor to be heatsinked during troubleshooting.

2680367B50 Heat Sink

Manuals

6881050C80

Maintenance Manual, VHF

6881055C40

Operating Manual, 6 Channel

6881055C50

Maintenance Manual, UHF

Programming Software

Utilizing your personal computer, this software enables you to add/or reprogram frequencies as your requirements change. Requires Radio Interface Box and proper cables, order separately.

RVN4134B Programming Software, 3-1/2" and 5-1/4" diskettes (includes manual and storage box)

Over 7 million customers have made MyRadioMall.com America's #1 choice when it comes to dependable and reliable Motorola Communications at fantastic prices.

We are now celebrating our 12th year of online service and the best is yet to come.



Advanced Radio Systems, Inc
8726 NW 26 Street #6
Miami, Florida 33172
Voice Numbers: 305-884-1795
Toll Free: 1-866-900-Mall (6255)
Fax Number: 305-884-1985

12/25/2006