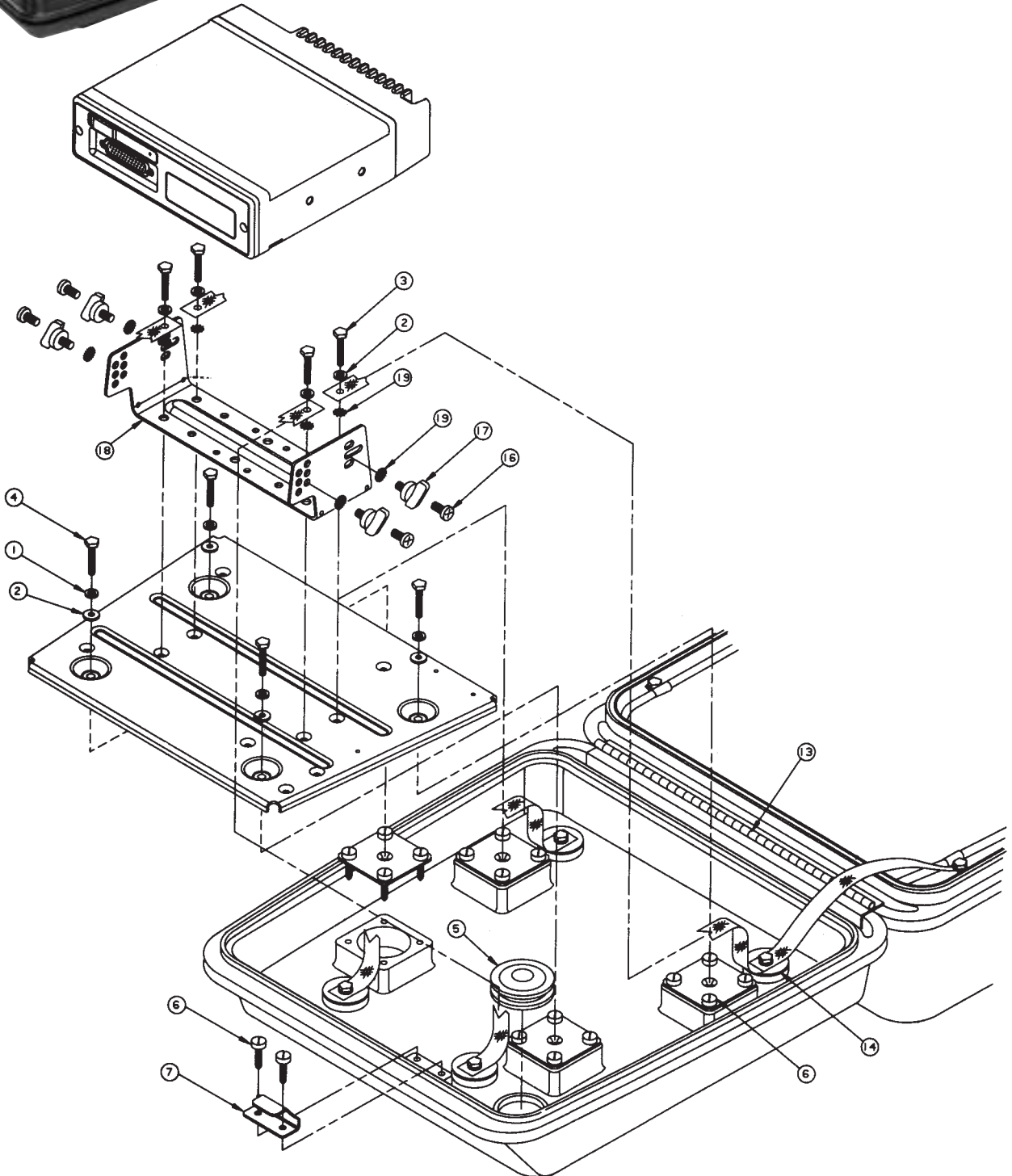


SPECTRA Motorcycle Radio

Parts List



SPECTRA Motorcycle Radio

Parts List

Radio Enclosure Kit

REF. NO.	PART NO.	DESCRIPTION	REF. NO.	PART NO.	DESCRIPTION
1	0484336M01	Lockwasher; 4 used	-	---	Rivet; 10 used
2	0484338M01	Washer, flat; 8 used	14	---	Enclosure Mounting Hardware (see MXW6804)
3	0300040M08	Screw; 4 used	16	0380114M02	Screw M5 x 0.8 x 10 mm; 4 used
4	0384208M16	Screw; 4 used	17	0384244C06	Screw, wing; 4 used
6	0300007467	Screw (8-18 x 3/8); 18 used	18	0780086N02	Trunnion
7	5583818F01	Catch, lock	19	---	Lockwasher, external tooth; 8 used
-	---	Adapter; 4 used			
-	---	Ring, retaining			
-	4583015P01	Cam, lock			
-	5583817F01	Lock			
13	---	Hinge			

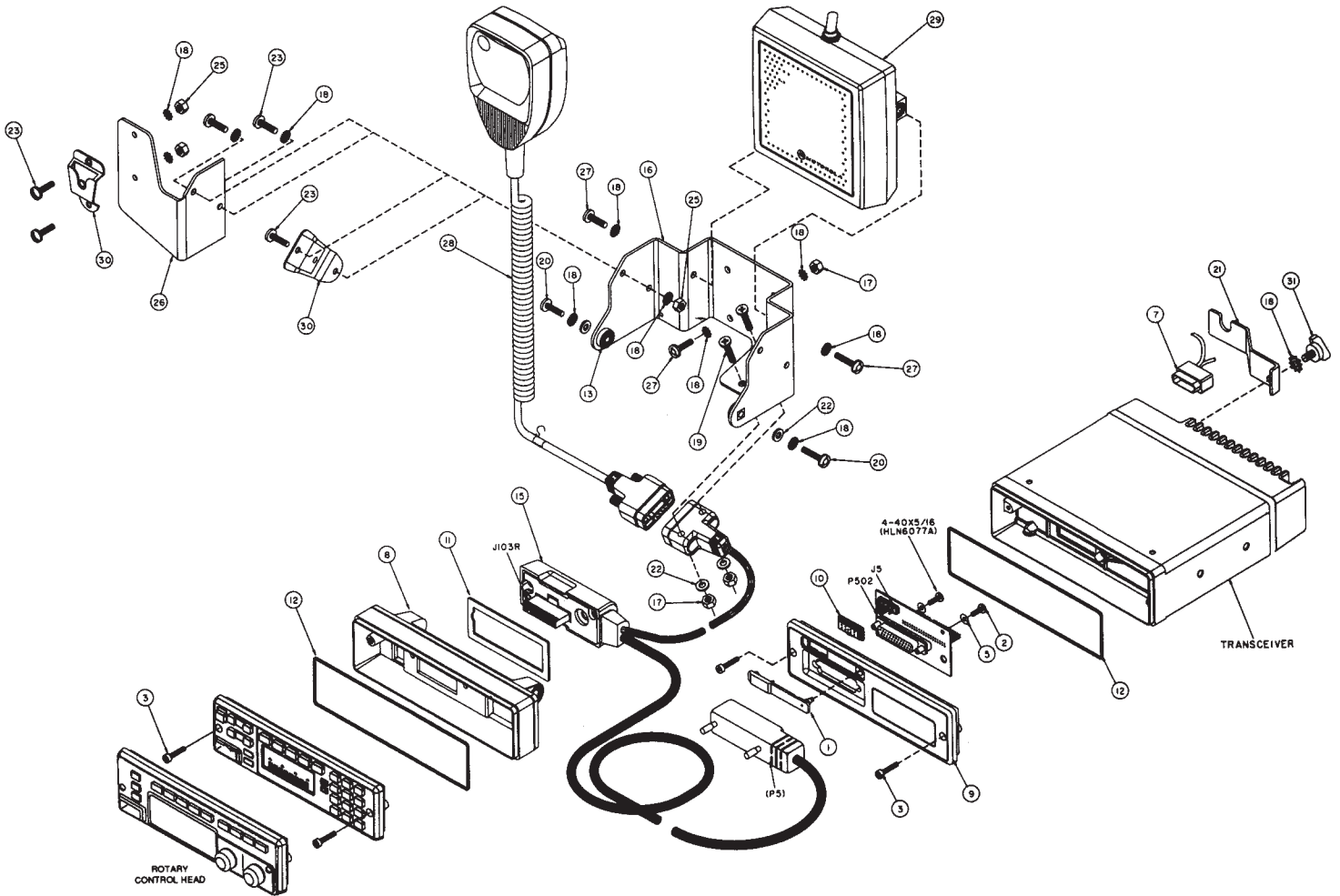
NON-REFERENCED ITEMS

(from HLN6168B and HLN6169B)

0380077M01 Screw, hex socket

SPECTRA Motorcycle Radio

Parts List



Parts List

Control Head Mounting Parts

REF. NO.	PART NO.	DESCRIPTION	REF. NO.	PART NO.	DESCRIPTION
-		Motorcycle Hardware Kit SECURENET	23	0307644M19	Screw, machine (8-32 x 7/16); 4 used
-		Motorcycle Hardware Kit	25	0200001355	Nut, hex (8-32 x 5/16 x 1/8); 4 used
1	3880064P01	Cap, SECURENET connector	26	0780201P01	Bracket, extension
2	0310945A11	Screw, tapping (P3.12 x 1.27 x 8.0); 2 used	27	0380114M03	Screw, machine (M5 x 0.8 x 12 mm); 2 used
3	0380077M01	Screw, front mount; 4 used	28		Microphone and Coiled Cord Speaker
5	0483045H01	Washer, thrust; 2 used	29	---	(see exploded view)
7	3080010R02	Cable, accessory	30	HLN9073	Spring & Bracket Eyelet (HLN5391A)
8	1580293L02	Housing, back remote rework	31	0384244C06	Screw, wing; 5 used
9	1580062P07	Housing, front remote, SECURENET			
10	3280063P01	Gasket, SECURENET			
11	3280231M01	Gasket			
12	3280289L02	Gasket, housing			
13	4380128N01	Spacer, trunnion; 2 used			
15		Control-head Cable, 22-conductor			
-		Motorcycle Mounting Kit			
16	0780200P01	Bracket, control head/ speaker mounting			
17	---	Nut, hex (M5 x 0.8-6H x 8.87); 6 used			
18	0400007652	Lockwasher #10 ext; 19 used			
19	0380114M05	Screw, machine (M5 x 0.8 x 30 mm); 2 used			
20	0380114M04	Screw, machine (M5 x 0.8 x 16 mm); 2 used			
21	0780020R01	Bracket, accessory connector			
22	---	Washer (0.234 x 0.5 x 0.048); 4 used			

NON-REFERENCED ITEMS

0300138015	Self-drilling screw; 2 used*
0312002C01	Self-drilling screw*
0780257N01	Back-up plate*
2900824456	Lug*
0780127N02	Trunnion, remote**
1580062P04	Housing, front remote

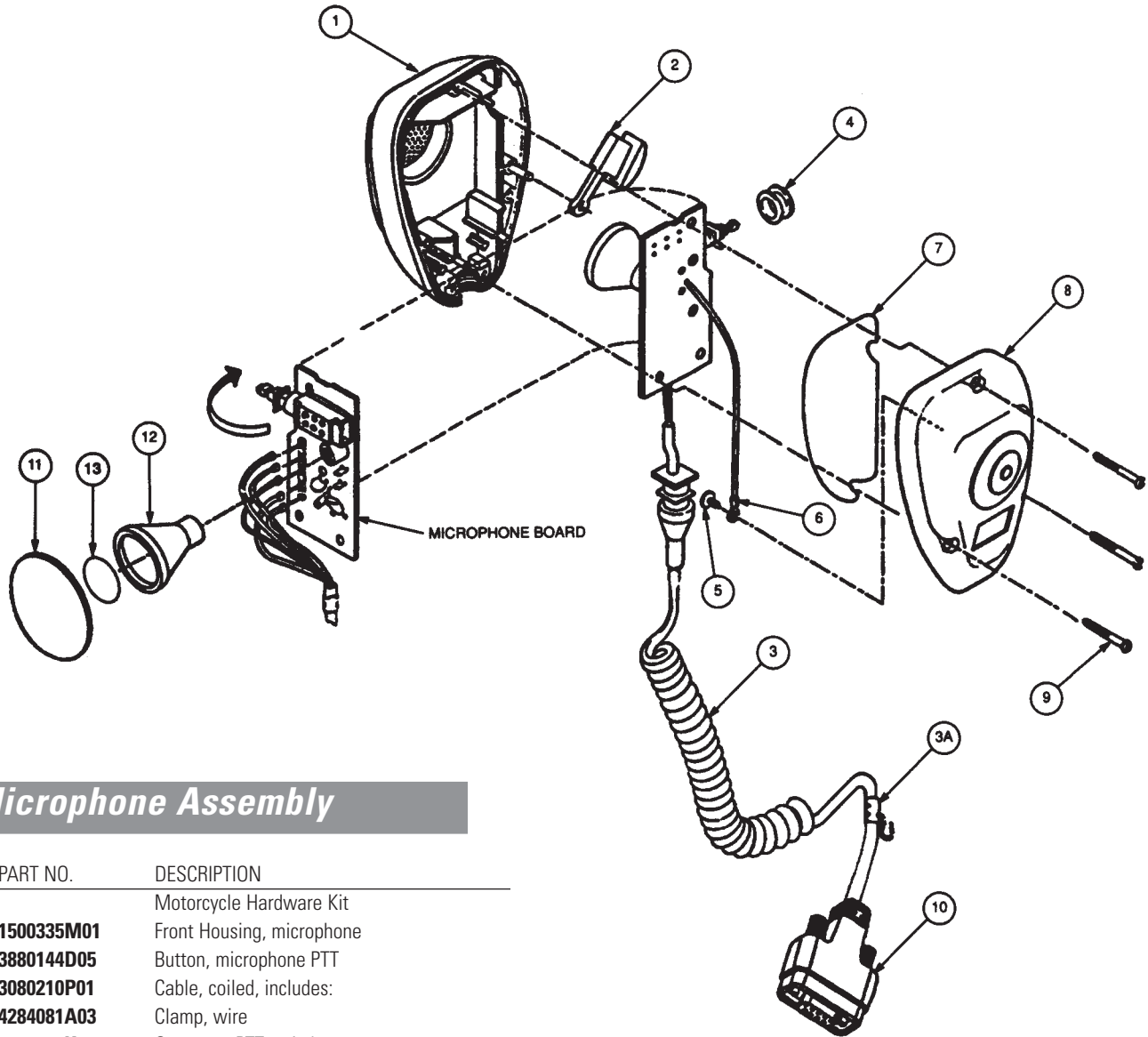
NOTES:

* These parts are provided in hang-up clip kit for mounting the hang-up clip on surfaces that are not metallic and/or are not grounded to the motorcycle chassis.

** Used to mount control head when speaker and control head are mounted separately.

SPECTRA Motorcycle Radio

Parts List

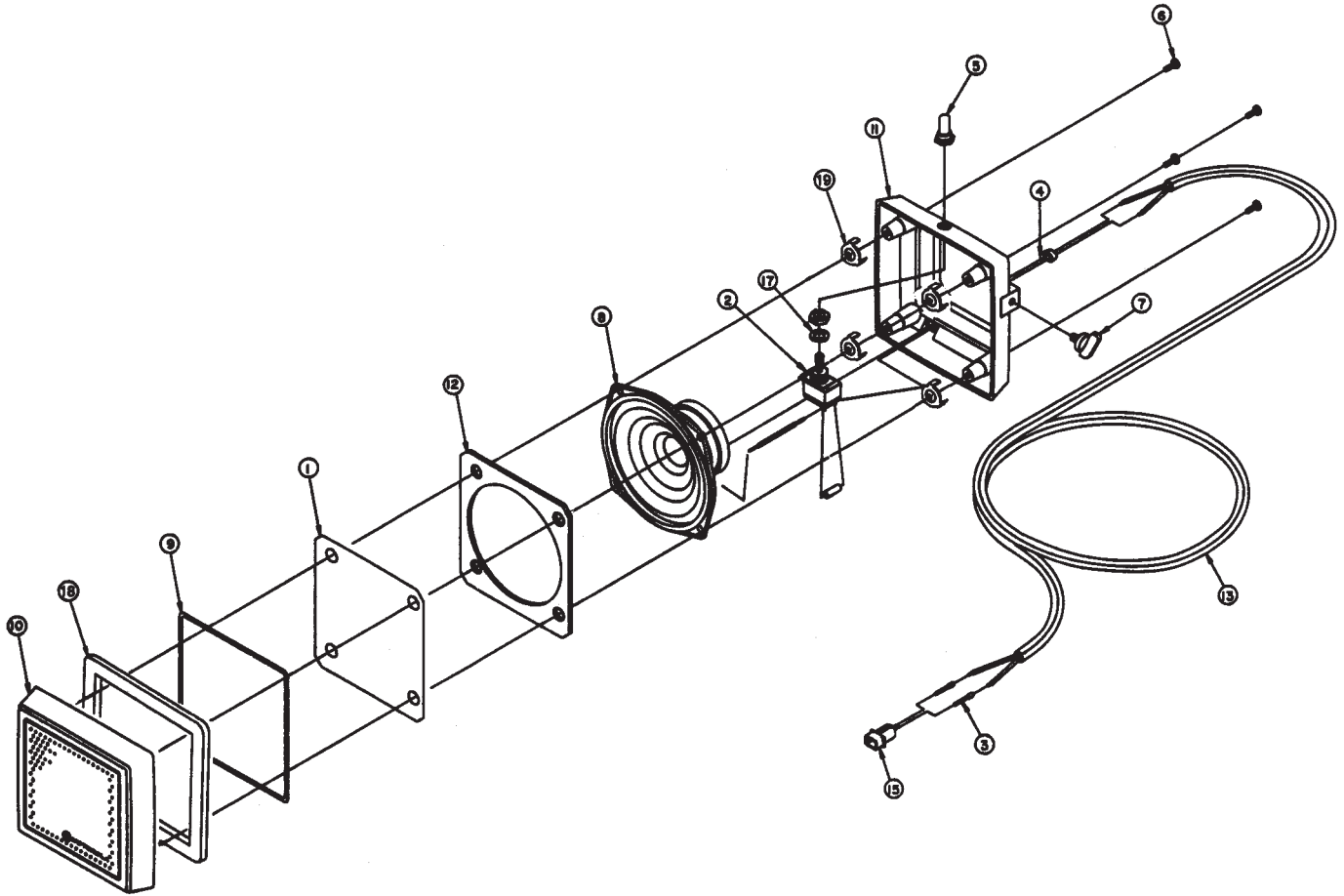


Microphone Assembly

REF.	NO.	PART NO.	DESCRIPTION
	-		Motorcycle Hardware Kit
	1	1500335M01	Front Housing, microphone
	2	3880144D05	Button, microphone PTT
	3	3080210P01	Cable, coiled, includes:
	3A	4284081A03	Clamp, wire
	4	0580221K01	Grommet, PTT switch
	5	0310943M09	Screw, tapping (TT3 x 0.5 x 6.0)
	6	3080206L01	Wire, pc board to weight
	7	3280058H03	Gasket, housing
	8	0180750T91	Rear Housing, microphone
	9	0380076E04	Screw, metric H-LO; 3 used
	10	0980218J01	Receptacle, microphone
	12	0580148D01	Grommet, microphone cartridge
	13	3580089D01	Microphone, felt

SPECTRA Motorcycle Radio

Parts List



Weather-Resistant Speaker

REF. NO.	PART NO.	DESCRIPTION
1	---	Cloth Grille
2	4083477E03	Switch, toggle, SPST
3	3910184A45	Contact, plug; 2 used
4	4282018H05	Cable Retainer
5	3206682F01	Seal, toggle switch
6	0300140001	Screw, tapping (6-19 x 7/8)
7	0384244C06	Screw, wing, black shadow
8	5084561B08	Speaker, 5-inch, 30W
9	---	Gasket
10	1300133M05	Bezel
11	1580099R02	Housing, speaker, weather-resistant

REF. NO.	PART NO.	DESCRIPTION
12	3206849K01	Gasket
13	3083155H01	Cable, 2 conductor
15	1510183A18	Housing, connector, 2 contact
17	---	Washer
18	3280000S01	Gasket, speaker
19	---	Capsert; 4 used

NON-REFERENCED ITEMS

0611086A27	Resistor, 47 ohms, ±5%, 1 watt
0780200E01	Trunnion, bracket, speaker (not shown)
0312002B14	Screw, self-drilling (10-16 x 1.0); 3 used

SPECTRA Motorcycle Radio

Accessories, Service Aids, Tools



Microphone & Speaker

HMN1062B Weather Resistant Palm Microphone

HSN6003B Weather Resistant Speaker

Service Aids

Computer Interface Cable

Used to connect computer's serial port to Radio Interface Box (RIB).

3080369B71 Computer Interface Cable; RIB to 25 pin D

3080369B72 Computer Interface Cable; RIB to 9 pin D

Radio Interface Box

Links radio programming cable and computer interface together. Provides required voltage shift to enable communications between radio and computer. Requires computer interface cable, radio programming cable and a 9 volt snap type battery (6082728J01) or wall mount power supply; order separately.

RLN4008E Radio Interface Box



RLN4008E



0180357A57

Wall Mounted Power Supply

Used to supply power to Radio Interface Box.

0180357A57 Wall Mounted Power Supply (110 volts)

0180358A56 Wall Mounted Power Supply (220 volts)

Service Aids

Programming Software

This software enables you to add or reprogram frequencies as your requirements change. Compatible with IBM XT, AT, Model 30, 50, 60 and 80. Requires Radio Interface Box and proper cables; order separately.

RVN4001N Programming Software, includes 3-1/2" diskette, manual, binder, and storage box.

Program/Test Cable

Acts as a link between RIB and radio; required to program radio.

3080369B73 Program/Test Cable

Service Tools

Torque Screwdriver

Measures the amount of torque being applied. Recommended for precise radio assembly. Bits must be ordered separately.

RSX4043A Adjustable Torque Screwdriver



RSX4043A

Insertion and Extraction Tool

Installs and/or removes wires from accessory connector.

6680163F01 Insertion and Extraction Tool



6680163F01

Hex L-Shaped Key Set

Recommended for front panel and PA removal/installation. 10 piece set from 1.27mm to 6mm.

0180370B87 Metric Hex L-Shaped Key Set

SPECTRA Motorcycle Radio

Service Tools, Manuals

Service Tools

Crimping Tool

For custom installations requiring crimping of Mini-UHF RF connector

6680388A26 Crimping Tool



6680388A26

RF Service Cables

3080373B25 RF Injection Board Output Cable. Connects to the RX injection output of the VCO assembly for testing RF injection level

3080373B26 BNC (M) to SMB (M) Cable

3080373B41 BNC (F) to Taiko-Denki (M) Cable

3080373B27 BNC (M) to SMB (F) Cable

0180355A28 BNC (F) to Taiko-Denki (F) Adapter

Service Tools

RF Service Cable Kit

TKN8531C Key-Variable Loader Cable

5880384G68 SMA to BNC Adapter

5880367B21 Mini-UHF Male to 'N' Female Adapter

0180386A82 Anti-Static Grounding Kit

0180320B16 Magnetic Screwdriver Set with Bits

Manuals

6880103W01 Installation/Instruction Manual