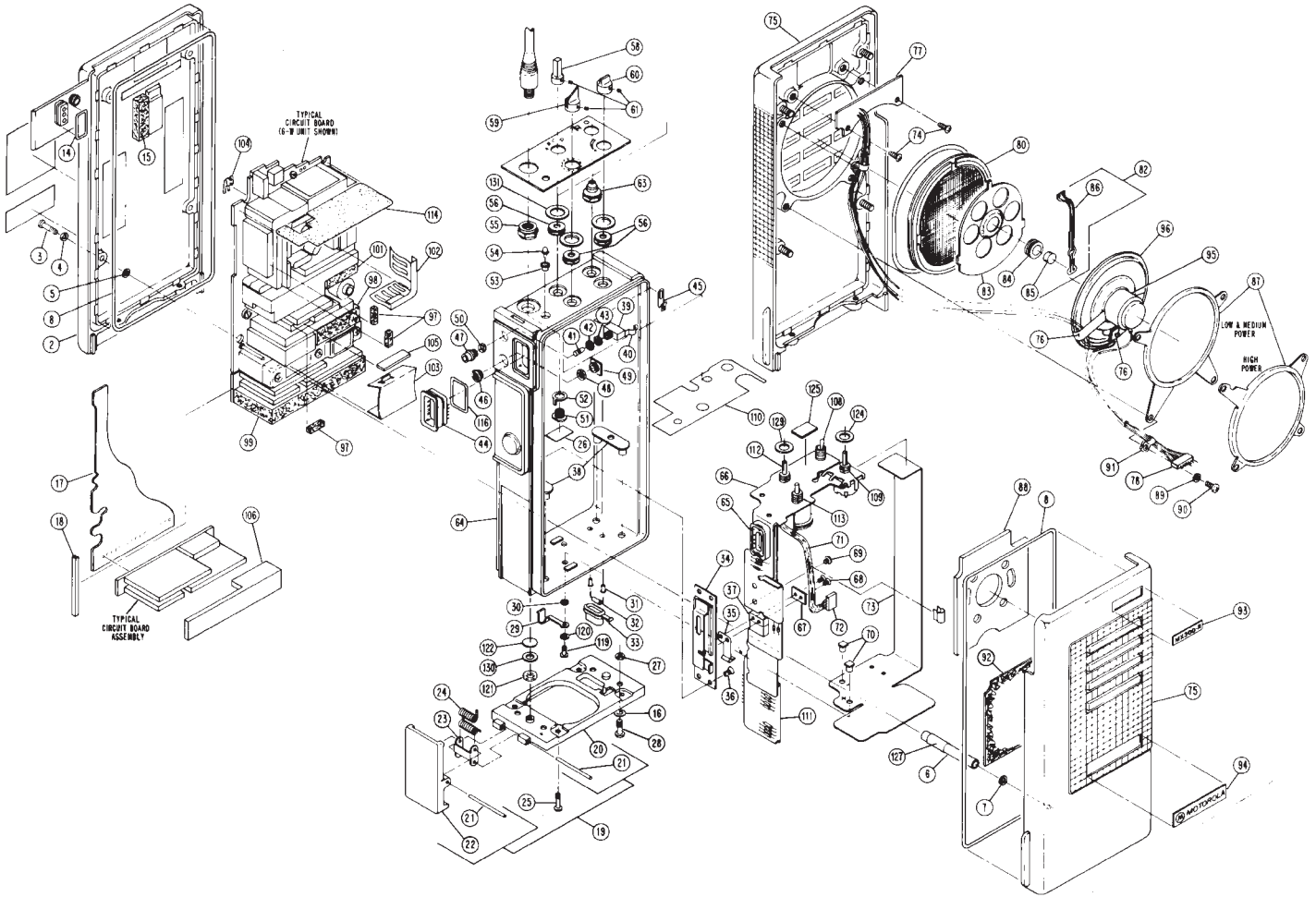


MX300-R Series

Parts List



Replacement parts are no longer available

MX300-R Series*Parts List***MX310, H23AAB, H24AAB**

REF.
NO. PART NO. DESCRIPTION

REF.
NO. PART NO. DESCRIPTION

***Cancelled Product MX300-R:
Aftermarket support criteria has
been met for spare parts. Items
are no longer available.***

MX300-R Series

Portable Accessories

Chargers

Single Unit Chargers

Single unit chargers are designed for desktop use and are capable of charging a battery on or off the radio. When the battery is fully charged, the charger automatically resets to a trickle charge rate. Rapid charge batteries must be charged in the rapid charge unit to attain the rapid charge rate. Visual indication is provided in the rapid charger when the battery is fully charged.

NLN8858A Single Unit,
1 Hour, Rapid Charger,
117 Volts

***NLN4038A** Single Unit,
1 Hour, Rapid Charger,
220 Volts

***NLN4036A** Single Unit,
14 Hour, Standard
Charger, 220 Volts

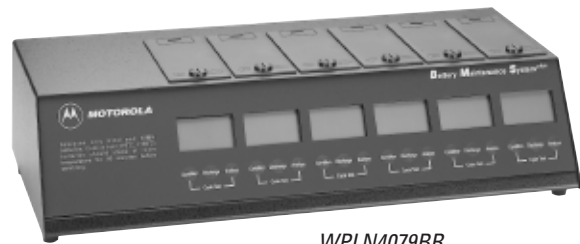


NLN8858A

Battery Maintenance System^{plus} (BMS^{plus})

Using interchangeable battery adapters (sold separately), the BMS^{plus} is capable of charging and discharging, analyzing, conditioning and cycle test on batteries; tracking battery voltage and capacity (mAh).

The BMS^{plus} offers a 3 year warranty. Its easy-to-use design supports hundreds of 2-way, cellular, and camcorder batteries with printer port** (Serial-RS-232C port – uses female 9-pin to male 25-pin cable).



WPLN4079BR

WPLN4079BR Six-Station, 110V AC, 50/60 Hz

WPLN4080BR Six-Station, 230V AC, 50/60 Hz

NDN4005B Three-Station, 110V AC, 50/60 Hz

NDN4006B Three-Station, 230V AC, 50/60 Hz

BMS^{plus} Adapter

TDN9444A Standard Adapter, MX300-R

Optional Adapters

†**TDN9432A** Adapter, Universal Alligator Clip Lead

†**TDN9527A** Adapter, Universal Dip Switch

* Unit is supplied without line cord plug.

**Compatible with the STAR Micronics SP200 series printers, available from any STAR Micronics distributor, and other printers with STAR emulation.

† Universal adapters available as an option to accommodate all radio types.

MX300-R Series

Portable Accessories

Battery Optimizing System II (BOS II)



WPLN4124AR

No other battery analyzer matches the speed, accuracy, and versatility of the Battery Optimizing System II. Ideal for large fleet, public safety, and all other users who rely on their battery performance. Now with increased power, more sophisticated programming options, and easier to use navigation paths, optimizing your batteries was never easier. Key features include:

- Support for NiCd, NiMH, Li-ion, and SLA batteries
- 100 watt power supply and programmable from 100 mA to 4 amps per station
- Interchangeable adapters accommodate all major brands
- Includes a variety of user programs and allows for customizable programming
- Proprietary recondition cycle restores NiCd and NiMH batteries
- Increased processing power and testing resolution – including a three minute Quicktest that measures the batteries State of Health (SoH)
- Printer output for reports and labels
- Three year warranty

WPLN4124AR BOS II, Four-Station, 100-240V AC (US line cord)

WPLN4125AR BOS II, Four-Station, 100-240V AC (UK/Euro line cords)

BOS II Adapter

RL-71283 Standard Adapter, MX300-R

Optional Adapters

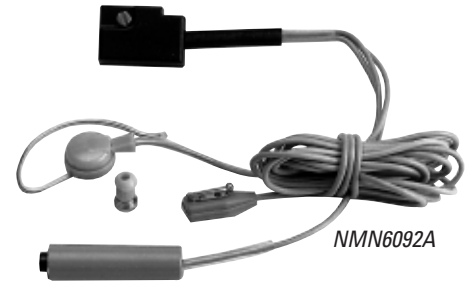
RL-70115 Adapter, Universal; services Li-ion

RL-70110 Adapter, Universal; service NiCd and NiMH

Audio Accessories

UHF Surveillance Accessories

NMN6092A
UHF Surveillance Accessory



NMN6092A



NMN6070B



NMN6071B



NMN6072A

Remote Speaker/Microphones

Remote speaker/microphone allows user to talk and listen without removing radio from belt or carrying case. Ideal in high noise level areas. Straight and coil cord remote units have back clip for attachment to upper garment. Wired earpiece available for all models.

NMN6070B Remote Speaker Microphone Straight Cord with Clip Back

NMN6071B Remote Speaker Microphone Coil Cord with Clip Back

NMN6072A UHF Public Safety Microphone with High/Low Switch and PTT, order Velcro Patch and Antenna separately.

Antennas for NMN6072A

8505309N10 Heliflex, 404-430 MHz,

8505309N09 Heliflex, 440-470 MHz

8505309N11 Heliflex, 470-512 MHz

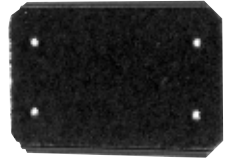
MX300-R Series

Portable Accessories

Audio Accessories

Velcro Patch

NLN8410A Velcro Patch Pin Attachment, (for NMN6072A Microphone)



NLN8410A

Epaulet Strap

Black leather epaulet straps secure remote speaker microphones to epaulet of shirts or jackets and attach around cord. Allows reliable communications in hostile environments with Velcro or Clip style strap.

RLN4294A Epaulet Strap, Velcro
RLN4295A Epaulet Strap, Small Clip



RLN4294A



RLN4295A

Audio Accessories

Headset/Microphones

Maintain portable two-way communications in high ambient noise areas with noise cancelling accessories. Both weatherproof models can be worn with or without a safety type helmet.



NMN6065A

NMN6065A
 Noise Canceling Headset/Microphone with Cup Microphone



NMN6064A

NMN6064A
 Noise Canceling Headset/Microphone with Boom Microphone

NKN6207A Adapter Kit (required for noise cancelling headsets)



NKN6207A

NKN6363A
 Headset Adapter Cable

MX300-R Series

Portable Accessories, Antennas

Carrying Accessories

Carrying Cases

Standard black leather carrying cases with snap-on/off perforated covers provide protection yet permit clear audio. Swivel carrying cases attach to belt loop attachment by inverting radio. Radio swings freely on belt loop attachment, adjusting to body movements.

Standard

NTN4272A Carrying Case with Belt Loop and Strap



NTN4272A

Swivel

NTN4273A Carrying Case with Strap



NTN5243A

Carrying Strap

NTN5243A
60" Carrying Strap (1-3/4" W), Requires Leather Carrying Case

Belt

4200865599
1-3/4" Wide Leather Belt, For All Models



4200865599

4205857B01
2" Spare Belt Loop, For Swivel Cases

Portable Antennas

Heliflex

Each antenna is tested and tuned to give maximum power and performance. Antenna's connector is color coded indicating frequency.

8505491J02 150-162 MHz, PVC Dip Coated

8505491J03 162-174 MHz, PVC Dip Coated

8505491J04 403-440 MHz, PVC Dip Coated

8505491J05 440-470 MHz, PVC Dip Coated

8505491J06 470-512 MHz, PVC Dip Coated

8505816K01 136-150 MHz, Molded

8505816K21 150-162 MHz, Molded

8505816K23 162-174 MHz, Molded

8505816K24 403-433 MHz, Molded

8505816K25 450-470 MHz, Molded

8505816K26 470-512 MHz, Molded



8505491J05



8505816K01

MX300-R Series

Antennas, Service Tools

Portable Antennas

Flexible

Slightly longer than helical antenna and provides better radiation characteristics.

8505268F01

403-512 MHz, PVC Dip Coated

8505247K06

403-512 MHz, Molded



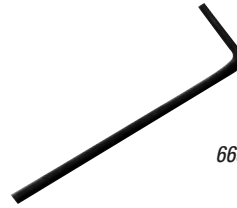
8505247K06

Service Tools

6682186E01 Tuning Tool



6682186E01



6683006J01

6683006J01 Spline Wrench, (0.06"), Volume Squelch and Frequency Select Knobs

6605168F01 Wrench, Antenna Bushing Nut and Fuse Cap (800 MHz only)



6605168F01

MX300-R Series

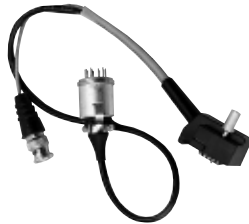
Service Aids, Manuals

Service Aids

Radio Test Cable

Used with RTX4005 portable test set for transmitter, receiver alignment and performance checks.

RTK4021A Test Cable



RTK4021A



SKN6028A

RF Adapter Cable

SKN6028A RF Adapter Cable, connects to radio jack, other end terminated with type BNC male.

Service Manuals

136-174 MHz

- 6881036C65** MX300-R Portable Radio H449 Option
- 6881036C70** MX300-R VHF Service Manual
- 6881037C80** MX300-R Marine Radio Operating Instructions

Digital Voice Protection Manuals

136-174 MHz

- 6881035C85** H23, 33, 43SXU1144AN & SXU3144AN Series Operating Instructions
- 6881035C80** H23, 33, 43SXU1144AN & SXU3144AN Series Theory/Maintenance Manual

406-512 MHz

- 6881035C85** H24, 34, 43SXU3144AN & SXU3144AN Series Operating Instructions
- 6881035C75** H24, 34, 43SXU1144AN/SXU3144AN Series Service Manual
- 6881035C80** H24, 34, 43SXU1144AN & SXU3144AN Series Theory/Maintenance Manual

Miscellaneous

- 6881030C65** Models DMC600, MDC1200, Modat, and Select 5 Signaling Options Service Manual
- 6881035C95** Vehicular Adapter Operating Instructions
- 6881038C25** Vehicular Adapter Instruction Manual

Over 7 million customers have made MyRadioMall.com America's #1 choice when it comes to dependable and reliable Motorola Communications at fantastic prices.

We are now celebrating our 12th year of online service and the best is yet to come.



Advanced Radio Systems, Inc
8726 NW 26 Street #6
Miami, Florida 33172
Voice Numbers: 305-884-1795
Toll Free: 1-866-900-Mall (6255)
Fax Number: 305-884-1985

12/25/2006