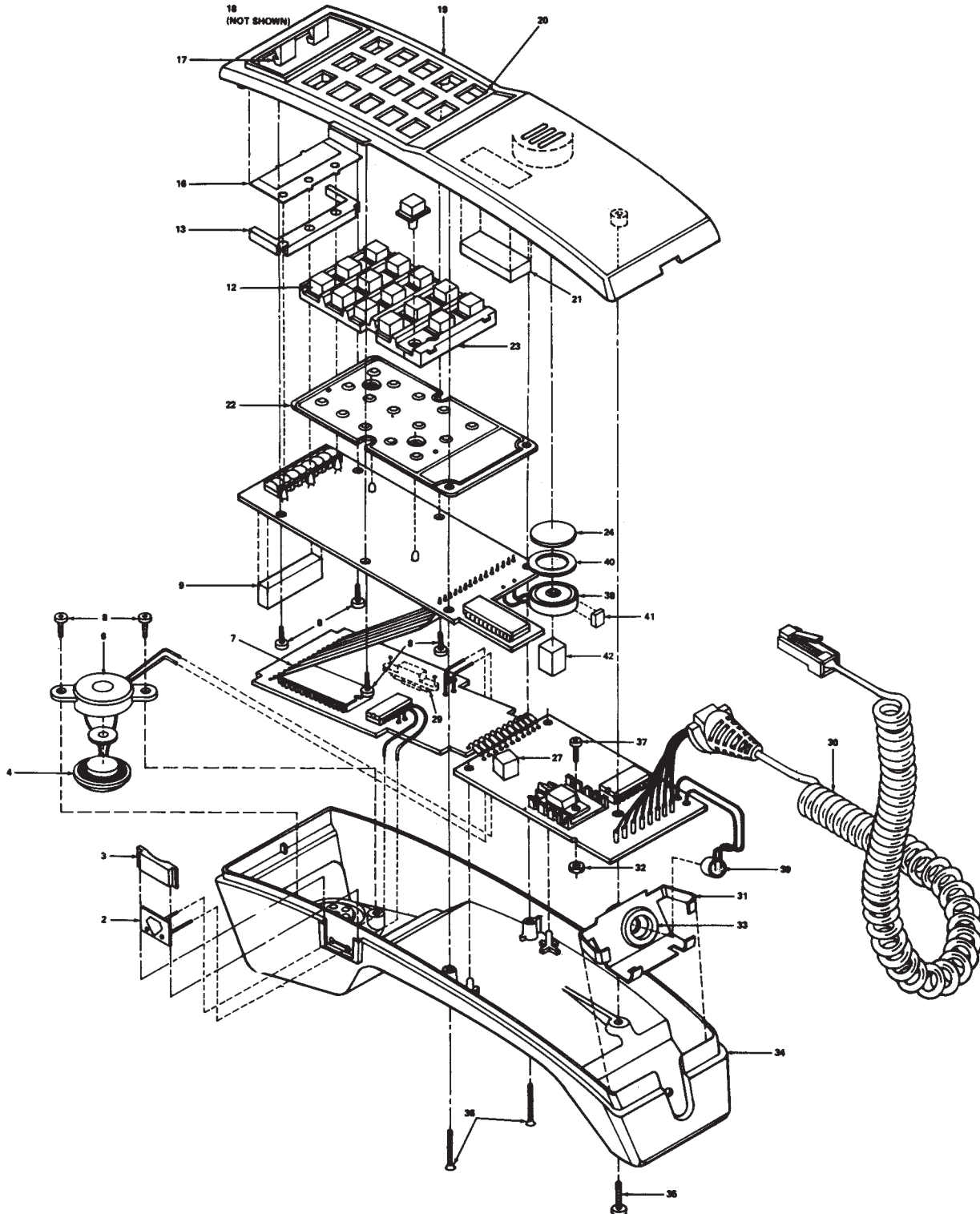


# PRIVACY PLUS 500 Series

## Parts List



*Replacement parts are no longer available*

**PPRIVACY PLUS 500 Series***Parts List*

REF. NO.	PART NO.	DESCRIPTION
-------------	----------	-------------

REF. NO.	PART NO.	DESCRIPTION
-------------	----------	-------------

***Cancelled Product Privacy Plus 500:  
Aftermarket support criteria has been  
met for spare parts. Items are no  
longer available.***

## PRIVACY PLUS 500 Series

## Accessories, Antennas

### Alternator Whine Filter

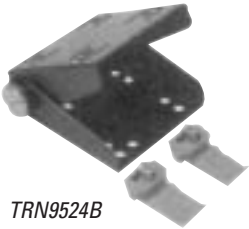


TLN5277E

Filter enhances radio clarity by eliminating alternator whine noise.

**TLN5277E** Alternator Whine Filter

### Mounting Hardware



TRN9524B

#### Control Unit Mounting Hardware

Provides enhanced accessibility for both user and passenger.

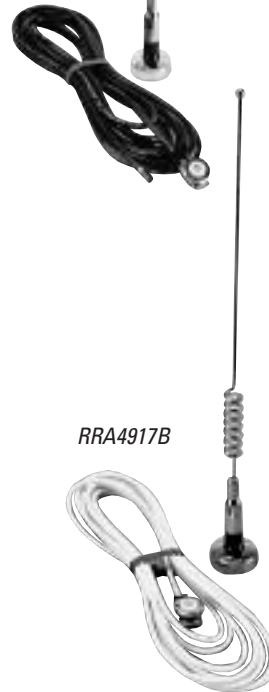
**TRN9524B** Standard Hinge Mount

### Antennas



RRA4915B

Part Number: **RRA4915B**  
Frequency: 806-900 MHz  
Power: 150 watts, maximum  
Gain: 3dB, nominal  
VSWR: Less than 1.5:1  
Impedance: 50 ohms, nominal  
Mounting Kit: Roof Mount with 14' RG58A/U Cable and TNC Connector



RRA4917B

Part Number: **RRA4917B**  
Frequency: 806-900 MHz  
Power: 150 watts, maximum  
Gain: 3 dB, nominal  
VSWR: Less than 1.5:1  
Impedance: 50 ohms, nominal  
Mounting Kit: Roof Mount with 14' Low Loss Cable and TNC Connector

## PRIVACY PLUS 500 Series

## Antennas, Tools, Aids, Manuals

### Antennas

Part Number: **RRA4922B**  
 Frequency: 806-900 MHz  
 Power: 150 watts, maximum  
 Gain: 3dB, nominal  
 VSWR: Less than 1.5:1  
 Impedance: 50 ohm, nominal  
 Mounting Kit: Trunk Mount with 14' RG58A/U Cable and TNC Connector



Part Number: **RRA4925B**  
 Frequency: 806-900 MHz  
 Power: 150 watts, maximum  
 Gain: 3dB, nominal  
 VSWR: Less than 1.5:1  
 Impedance: 50 ohm, nominal  
 Mounting Kit: Trunk Mount with 14' Low Loss Cable and TNC Connector

### Service Aids

#### Programming Software

This software enables you to add or reprogram frequencies as your requirements change. Compatible with IBM XT, AT, Model 30, 50, 60 and 80. Requires prom programmer R-1801A/M or Data I/O Model 29B and proper cables; order separately.

**RVN4061C** Programming Software, 5-1/4" and 3-1/2" Diskettes. Includes storage box and manual

#### Programming Cables

Allows programmer to be connected to RS-232 port of IBM PC type computers.

**0180357A56** Programming Cable for Data I/O Model 29B Programmer

### Manuals

**6881072E05** PRIVACY PLUS 500 Mobilephone T35JSA5G16 Instruction Manual

**6881120E84** PRIVACY PLUS 500 User's Manual

**6881120E85** PRIVACY PLUS 500 Reference Card

### Alignment Tool

**6682977K01** Alignment Tool



6682977K01