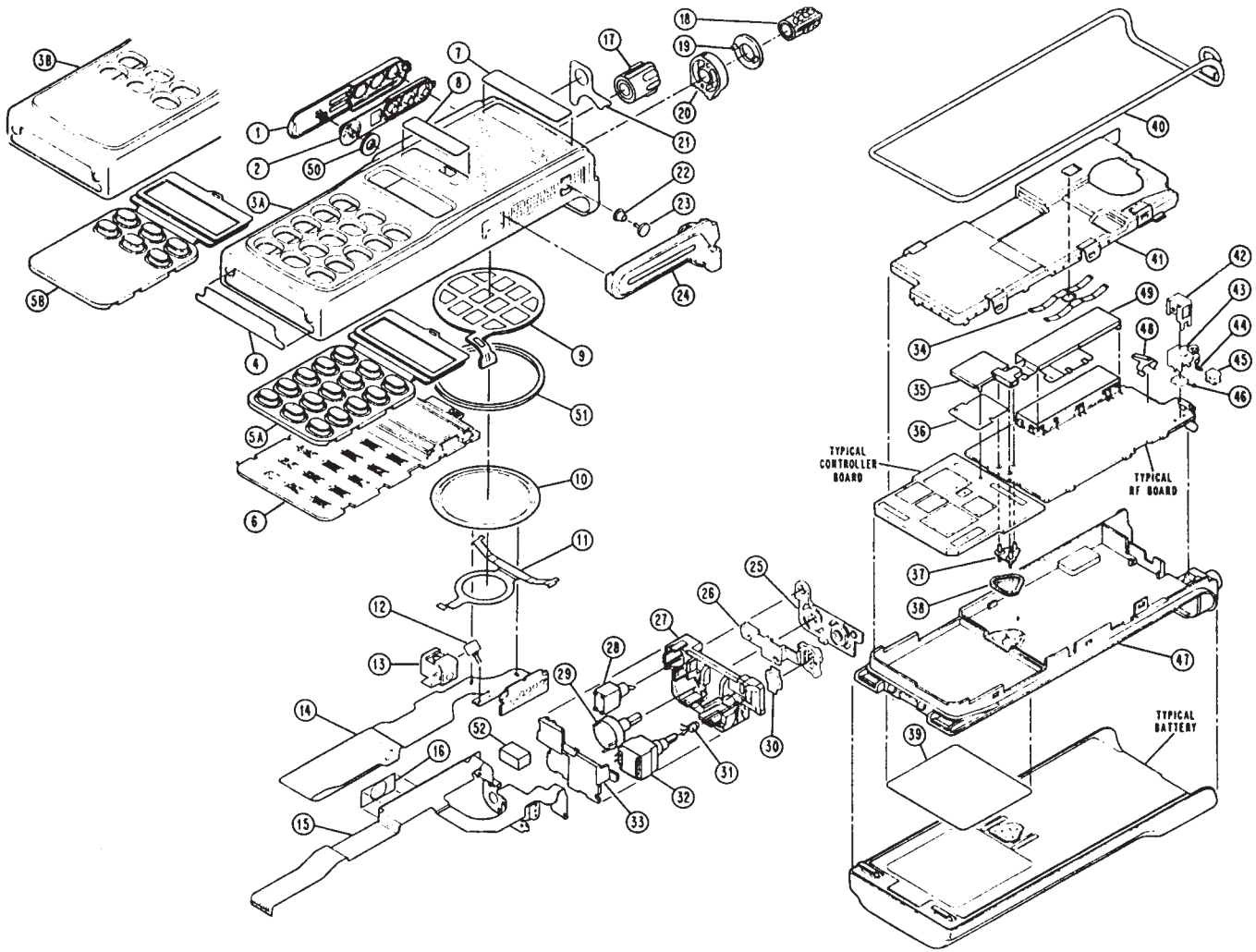


MTX800 Series



Parts List



Replacement parts are no longer available

MTX800 Series*Parts List*

REF.
NO. PART NO. DESCRIPTION

REF.
NO. PART NO. DESCRIPTION

***Cancelled Product MTX800:
Aftermarket support criteria has
been met for spare parts. Items
are no longer available.***

MTX800 Series

Portable Accessories

Chargers

A variety of chargers are available to fit the charging capabilities of your batteries. Choose rapid or regular rate, single, multiple or compact units.



NTN4633C

Single Unit

NTN4633C Single Unit, Rapid Rate Charge, 117V



NTN4666B

Compact

NTN4666B Compact, Regular Rate Charge, 117V

NTN4667A Compact, Regular Rate Charge, 220V

Vehicular Charger

NTN5438A Vehicular Charger 12V DC. (16 Hour Charge Rate)

NKN6428A 12V Cable Kit. (Only required if not used with PAC-RT).



NTN5438A

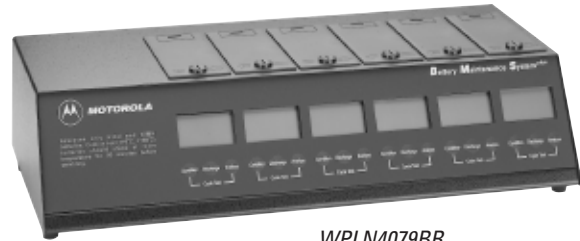
Battery Maintenance System^{plus} (BMS^{plus})

Using interchangeable battery adapters (sold separately), the BMS^{plus} is capable of charging and discharging, analyzing, conditioning and cycle test on batteries; tracking battery voltage and capacity (mAh).

The BMS^{plus} offers a 3 year warranty. Its easy-to-use design supports hundreds of 2-way, cellular, and camcorder batteries with printer port* (Serial-RS-232C port – uses female 9-pin to male 25-pin cable).

WPLN4079BR Six-Station, 110V AC, 50/60 Hz

WPLN4080BR Six-Station, 230V AC, 50/60 Hz



WPLN4079BR

BMS^{plus} Adapter

TDN9441A Standard Adapter, MTX800

*Compatible with the STAR Micronics SP200 series printers, available from any STAR Micronics distributor, and other printers with STAR emulation.

MTX800 Series

Portable Accessories

Battery Optimizing System II (BOS II)



WPLN4124AR

No other battery analyzer matches the speed, accuracy, and versatility of the Battery Optimizing System II. Ideal for large fleet, public safety, and all other users who rely on their battery performance. Now with increased power, more sophisticated programming options, and easier to use navigation paths, optimizing your batteries was never easier. Key features include:

- Support for NiCd, NiMH, Li-ion, and SLA batteries
- 100 watt power supply and programmable from 100 mA to 4 amps per station
- Interchangeable adapters accommodate all major brands
- Includes a variety of user programs and allows for customizable programming
- Proprietary recondition cycle restores NiCd and NiMH batteries
- Increased processing power and testing resolution – including a three minute Quicktest that measures the batteries State of Health (SoH)
- Printer output for reports and labels
- Three year warranty

WPLN4124AR BOS II, Four-Station, 100-240V AC (US line cord)

WPLN4125AR BOS II, Four-Station, 100-240V AC (UK/Euro line cords)

BOS II Adapters

RL-71173 Standard Adapter, MTX800

Motorola Conditioning Charger (MCC)



WPPN4009BR

The MCC will help extend battery life and enhance battery operation. It will safely condition and charge your specified Nickel Cadmium (NiCd) and Nickel Metal Hydride (NiMH) batteries in approximately an hour.

WPPN4009BR 110V AC Base Charge Unit with adapter plates

3080384G15 Cigarette Lighter Adapter Cord

RLN4814A Mounting Bracket for single unit conditioning chargers

MTX800 Series



Portable Accessories

Carrying Accessories



NTN5460B

Carrying Cases

A variety of carrying accessories are available for your comfort and convenience. The carrying cases are available in sizes designed to fit your radio & battery and permit audio to be heard clearly.

Standard

NTN5460B Leather Carrying Case, Spacer and T-Strap, for High or Medium Capacity Batteries (Snap)



NTN5461B

Swivel

NTN5461B Leather Carrying Case with T-Strap, Spacer and Belt Loop for High or Medium Capacity Batteries (Snap)

NTN5450B Leather DTMF Carrying Case, Long (Snap)

Belt Clip Carry Holder

NTN4814C Belt Clip Carry Holder



NTN4814C



4205386S01

T-Straps

4205386S03 T-Strap, Snap

4205386S01 T-Strap, Velcro

Carrying Accessories

4205447R03 T-Strap for Belt Clip Carry Holder, Snap



4205447R03



HLN6602A

HLN6602A Universal Chestpack with radio holder, pen holder and velcro secured pocket

1505596Z02 Replacement Strap for HLN6602A

RLN4570A Break-A-Way Chest Pack; all of the same features as the original chest pack (HLN6602A) plus break-a-way tabs that allow that allow the entire pack to be pulled off with approximately 10 lbs of pressure.

RadioPAK™

RLN4815A Universal RadioPAK™ with Radio Holder. Worn around waist with adjustable belt. Includes attached 6" by 8" zippered pouch for other job necessities

4280384F89 Universal RadioPAK™ belt lengthener; fits waists larger than 40"

Carrying Strap

NTN5243A Adjustable Carrying Strap



NTN5243A

Spacer

4305525R02 Spacer for Carrying Cases

Belt Clips

NTN4916B Belt Clip, 1-1/2"

NTN4924B Belt Clip, 2-1/4"

NTN5602A Public Safety Full 3" Clip Black Aluminum



NTN4916B

MTX800 Series

Portable Accessories

Carrying Accessories



4282421J06

Belt Loops

4282421J06 Swivel Belt Loop, 2-1/2"

4205857B01 Swivel Belt Loop, 3"



NTN5497A

Button Back Cover

NTN5497A T-Bar Button Back Cover Kit, Black

Belt

4200865599 2" Wide Leather Belt, for all models



4200865599

Portable Radio Hanger

The portable radio hanger slides over and hangs from the door panel in a vehicle. The radio's belt clip slides onto the portable hanger allowing convenient, easy mounting. Two sizes are available to fit door panels.

TDN9327A Portable Radio Hanger, for Door Panels up to 2-3/4"

TDN9373A Portable Radio Hanger, for Door Panels 2-3/4" to 3-1/4"



NMN6156B

Remote Speaker/Microphone

NMN6145B Remote Speaker Microphone, with Clip, Coil Cord and 2.5 mm Earphone Jack

NMN6156B Remote Speaker Microphone, with Coil Cord, Clip Back

NLN8410A Velcro Pin Patch Attachment

Audio Accessories

Epaulet Strap

Black leather epaulet straps secure remote speaker microphones to epaulet of shirts or jackets and attach around cord. Allows reliable communications in hostile environments with Velcro or clip style strap.



RLN4294A

RLN4294A Epaulet Strap, Velcro

RLN4295A Epaulet Strap, Small Clip



RLN4295A

Ear Microphone

This compact unit picks up the voice through bone vibrations in the ear canal. Ideal for use in high noise environments. Available in PTT or Voice activated (VOX) capabilities for total hands free communications. **Order Interface Module separately.**

***BDN6677A** Ear Microphone for Standard Noise Levels (up to 95 dB), Black

***BDN6678A** Ear Microphone for Standard Noise Levels (up to 95 dB), Beige

***BDN6641A** Ear Microphone for High Noise Levels (up to 105 dB), Grey



BDN6677A



BDN6680B

(shown with BDN6677A)

Interface Module

***BDN6679B** Push-To-Talk Interface Module

***BDN6680B** Voice-Activated Interface Module

* Intrinsicly safe

MTX800 Series



Portable Accessories

Audio Accessories

Optional Accessories

***0180358B38** Remote Push-To-Talk Ring Switch

0180300E25 Earguard with Adjustable Loop

0180358B32 Earholder, Black, Size Small



0180358B38



0180358B33

0180358B33 Earholder, Black, Size Medium

0180358B34 Earholder, Black, Size Large

0180358B35 Earholder, Clear, Size Small

0180358B36 Earholder, Clear, Size Medium

0180358B37 Earholder, Clear, Size Large

4280369E44 Replaceable Belt Clip with Screws

5080358B28 Eartips, Black, Size Medium (10 per pack)

5080358B29 Eartips, Black, Size Large (10 per pack)

5080358B30 Eartips, Beige, Size Medium (10 per pack)

5080358B31 Eartips, Beige, Size Large (10 per pack)

Audio Accessories

Earpiece

5083693B01 Earpiece and Volume Control, 3.5 mm (requires NTN4812B)

5083693B04 Earpiece and Volume Control (2.5 mm)

5880378B84 3.5 to 2.5 mm Jack Adapter

Ear Receiver

BDN6717B Ear receiver with 3.5 mm plug, to be used with adapter NTN4812

NTN4812B Earphone Jack Adapter (MTX800 only)



BDN6717B



NTN4812B

Surveillance

ZMN6031A Three-wire surveillance accessory with earpiece, microphone and push-to-talk as separate pieces. Factory Mutual Approved. Requires NTN5075B.



ZMN6032A

ZMN6032A Two-wire surveillance accessory with earpiece, microphone and push-to-talk. Microphone and PTT are combined. Factory Mutual Approved. Requires NTN5075B.

NTN5075B Hirose Adapter for Two- and Three-Wire Surveillance Accessories

* Intrinsically safe

MTX800 Series

Portable Accessories

Audio Accessories

Noise Kits

Lightweight translucent tube attaches to Motorola surveillance accessories. Clothing clip prevents the accessory from being pulled from the ear due to body movement or head rotation.

NTN8370A Extreme Noise Kit, includes 2 foam earplugs for loud environments

NTN8371A Low Noise Kit, includes rubber eartip for low noise environments

5080384F72 Replacement Foam Plugs. Pack of 50 (for use with NTN8370A)

Earpiece

The clear comfortable earpiece forms to the inside of your ear and is perfect for low noise environments. Compatible with the NTN8371A, clear acoustic tube assembly, and most surveillance kits (1-, 2- and 3-wire). This earpiece is made of easy-to-clean chemically inert, hypoallergenic material.

There are 3 items needed to make this product work:

1. Clear Comfortable Earpiece
2. Clear Acoustic Tube Assembly (NTN8371A)
3. Surveillance Kits

RLN4760A Small Custom Earpiece, right ear

RLN4763A Small Custom Earpiece, left, ear

RLN4761A Medium Custom Earpiece, right ear

RLN4764A Medium Custom Earpiece, left ear

RLN4762A Large Custom Earpiece, right ear

RLN4765A Large Custom Earpiece, left ear

Audio Accessories

Headsets

All headset accessories include radio cables and can be plugged directly into radio. No additional equipment is required.

Low to Moderate Noise Levels



BDN6478A

Lightweight headset with electret condenser microphone and single speaker.

Not for use with headgear.

BDN6477A

In-Line Push-To-Talk

BDN6478A Pendant-Thumb Push-To-Talk

High Noise Levels (to 115 dB)

Noise-attenuating headset with military noise cancelling microphone and dual speaker.

Not for use with headgear.

BDN6485A In-Line Push-To-Talk

BDN6482A Pendant-Thumb Push-To-Talk

Can be worn with or without hardhat or helmet.

BDN6486A Pendant-Thumb Push-To-Talk

Headset with bone conduction microphone and dual speaker.

For use with respirator or face mask

BDN6489A Body Switch Push-To-Talk

MTX800 Series

Portable Accessories

Audio Accessories

High noise level headset (up to 125 db) with noise cancelling microphone and push-to-talk switch located on earcup. Vox module contained within headset on voice activated units. Intrinsicly safe.
NOTE: Can be worn with or without hard hat or fire helmet.



BDN6645A

BDN6639A
Radio Adapter Cable

BDN6645A Push-To-Talk Headset with Boom Microphone, Requires Adapter Cable BDN6639A

BDN6635B Voice-Activated Headset with Boom Microphone, Requires Adapter Cable BDN6639A

BDN6636B Voice-Activated Headset with Throat Microphone, Requires Adapter Cable BDN6639A



BDN6636B



RMN4015A

RMN4015A Lightweight Headset with Swivel Boom Microphone, Single Speaker and In-line PTT

Audio Accessories

Helmet Accessories

All helmet and face mask kits require a radio cable assembly.

Industrial Helmet Accessories

Hardhat kit includes military noise-cancelling microphone. Choice of single or dual speaker, for use with the Bullard 302/303. Requires the following cable kits.

BDN6275A Single Speaker Helmet Kit

Police Helmet Accessories

Police helmet kit has military noise-canceling microphone with choice of single or dual speaker.

Single Speaker

BDN6277A Seer 1601,1602 Helmet Kit

Dual Speaker

BDN6359A Bell MC400 (BT400) Full Coverage Helmet Kit

BDN6363A Bell SD600 (BT600) 1/2 Shell Helmet Kit

BDN6492A Cable Kit, includes transmit switch, volume control, microphone electronics, and remote push-to-talk jack built into a belt-mounted control box

BDN6292A Handlebar PTT switch for belt mounted control box (For use with BDN6492 Cable Kit)

Vehicular Adapter

The Basic MVA console kits may be ordered separately. These items allow use of the portable radio in a mobile application (MTX810 only). Order antenna separately.

NSN6054A 12 Watt External Speaker

HMN1035C Microphone, Heavy-Duty Palm

HMN1056D Microphone, Compact Palm

HMN3013A Microphone, DTMF

MTX800 Series

Antennas, Batteries

Portable Antennas

Flexible Whip

Flexible Whip antennas have a one-piece finish and steel core for optimal radiation characteristics. Provides more comfort when radio is worn on the belt.

8505241U03

Flexible Whip, 806-870 MHz, 7"

NAF4000B



Vehicular Antenna Kit

Allows user to convert their portable radio into a mobile application. Comes complete with mobile antenna, cable custom adapter and connector.

RAF4001ARG Vehicular Antenna Kit

Dipole Antennas

Dipole molded antennas are injection molded in lasting polyurethane. The wide skirt at the bottom of the connector protects against damaging environmental elements. The dipole antenna is ideal when strong and solid signal clarity is demanded.

NAF4000B

Dipole, 806-869MHz, 8"

Stubby Antenna

This quarterwave stubby antenna is ideal when radio is worn on the belt because the short antenna is non-obtrusive.

*8505241U06

Stubby, 806-941MHz, 4"

Portable Batteries

Nickel-Cadmium Premium

Part Number: **NTN4823BR**
 Volts: 10
 Avg. mAh: 550
 Height: 2-7/16"
 Intrinsically Safe: Yes

Part Number: **NTN5447BR**
 Volts: 10
 Avg. mAh: 1100
 Height: 3-5/16"
 Intrinsically Safe: No

Part Number: **NTN5448BR**
 Volts: 10
 Avg. mAh: 1000
 Height: 3-5/16"
 Intrinsically Safe: Yes



NTN5447BR

Nickel Metal Hydride Premium

Part Number: **NTN7015A**
 Volts: 10
 Avg. mAh: 950
 Height: 2-7/16"
 Intrinsically Safe: No

Alkaline

Part Number: **NTN4870B**
 Volts: (NA)
 Avg. mAh: 2100
 Height: 3-5/16"
 Intrinsically Safe: No

*8505241U06 is a broad band antenna that operates in the 800/900MHz band

MTX800 Series



Tools, Service Aids

Alignment Tools/Service Tools

Tuning Tool

6605106N01 Tuning Tool, Adjusts Tunable Coils and Potentiometers



6605106N01

Torque Screwdriver

RSX4043A Torque Screwdriver,
Order Bits Separately



RSX4043A

6680371B34 Spanner Bit, for
Antenna Bushing Nut

6680371B34

6680371B03 Hex Nut Driver Bit,
for Volume Pot and Rotary
Switch Nuts

6680321B86

6680370B95 Spanner Bit, for Toggle Switch Spanner Nut

6680321B86 Phillips Bit #0 for Housing and Chassis Screws

6680342A66 Spanner Bit for Antenna Retainer Connector

Service Aids

Battery Eliminator



RTL4226B

The battery eliminator acts like a battery with a cable to access a DC external power supply. It is ideal to inspect transmitters and receivers on incoming radios. Reverse supply polarity protection and input fuse protection are provided.

RTL4226B Battery Eliminator

Radio Interface Box

Links radio programming cable and computer interface together. Provides required voltage shift to enable communications between radio and computer. Requires computer interface cable, radio test and programming cable, and 9 volt snap type battery (6082728J01), order separately.



RLN4008E

RLN4008E Radio Interface Box

Wall Mounted Power Supply

Used to supply power to radio interface box RLN4008E.

0180357A57 Wall Mounted Power Supply,
110 Volts

0180358A56 Wall Mounted Power Supply,
220 Volts



0180357A57

Computer Interface Cable

Used to connect computer's serial adapter to radio interface box.

3080369B71 Cable, RIB
25 pin D

3080369B72 Cable, RIB to
9 pin D



3080369B71

MTX800 Series

Service Aids, Manuals

Service Aids

Radio Test and Programming Cable

Used with Portable Radio Test Set, RTX4005, for transmitter, receiver alignment and performance checks. Also used in programming radio.

RTK4205C Test and Programming Cable



1580368B62

Battery Adapter

Replaces radio housing during servicing and provides easy mounting for battery eliminator, RTL4226B.

1580368B62 Battery Adapter

Field Modification Kit

Allows for quick field modification of RTX4005 "A" test sets to provide operation with MTX800 Radios.

RPX4665A Field Modification Kit, RTX4005A



RPX4665A

Service Aids

Reference Oscillator Tuner

RPX4726A Reference Oscillator
Frequency Adjustment



RPX4726A

SMA to BNC Adapter

5880384G68 SMA to BNC Adapter

Programming Software

Utilizing your personal computer, this software enables you to add/or reprogram frequencies as your requirements change. Requires Radio Interface Box and proper cables, order separately.

RVN4013K Programming Software, 3-1/2" diskette (includes manual and storage box)

Manuals

6881049C60

Operating Instructions Manual

6881062C15

Theory Maintenance Manual/Service Manual

0180305J46

Ear Microphone System and Temple
Transducer CD-ROM

Over 7 million customers have made MyRadioMall.com America's #1 choice when it comes to dependable and reliable Motorola Communications at fantastic prices.

We are now celebrating our 12th year of online service and the best is yet to come.



Advanced Radio Systems, Inc
8726 NW 26 Street #6
Miami, Florida 33172
Voice Numbers: 305-884-1795
Toll Free: 1-866-900-Mall (6255)
Fax Number: 305-884-1985

12/25/2006