

MCX100 Series

Parts List

REF. NO.	PART NO.	DESCRIPTION
-------------	----------	-------------

REF. NO.	PART NO.	DESCRIPTION
-------------	----------	-------------

***Cancelled Product MCX90/MCX100:
Aftermarket support criteria has
been met for spare parts. Items are
no longer available.***

MCX100 Series

Parts List

REF. NO.	PART NO.	DESCRIPTION
-------------	----------	-------------

REF. NO.	PART NO.	DESCRIPTION
-------------	----------	-------------

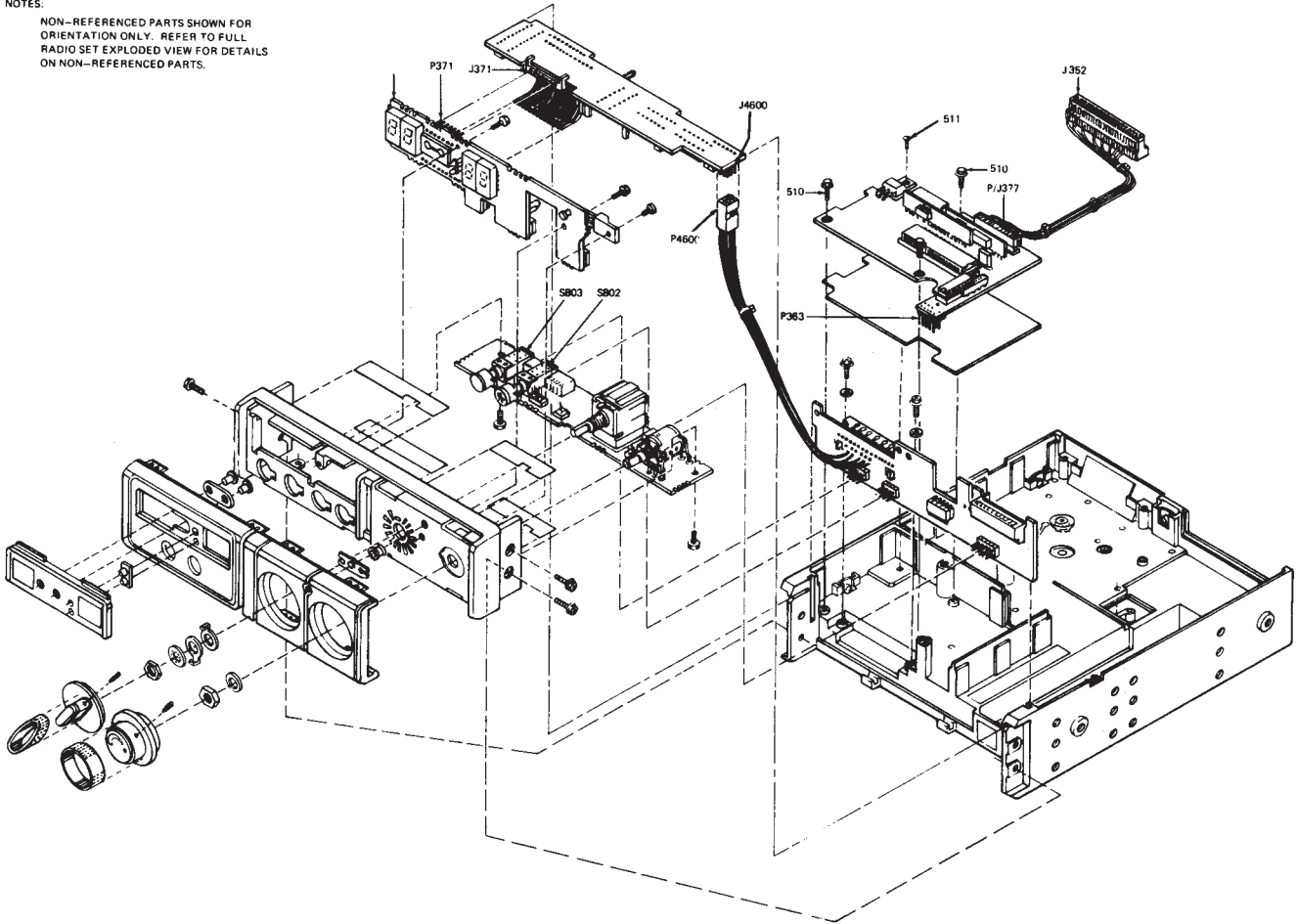
***Cancelled Product MCX90/MCX100:
Aftermarket support criteria has
been met for spare parts. Items are
no longer available.***

MCX100 Series

Parts List

NOTES:

NON-REFERENCED PARTS SHOWN FOR ORIENTATION ONLY. REFER TO FULL RADIO SET EXPLODED VIEW FOR DETAILS ON NON-REFERENCED PARTS.



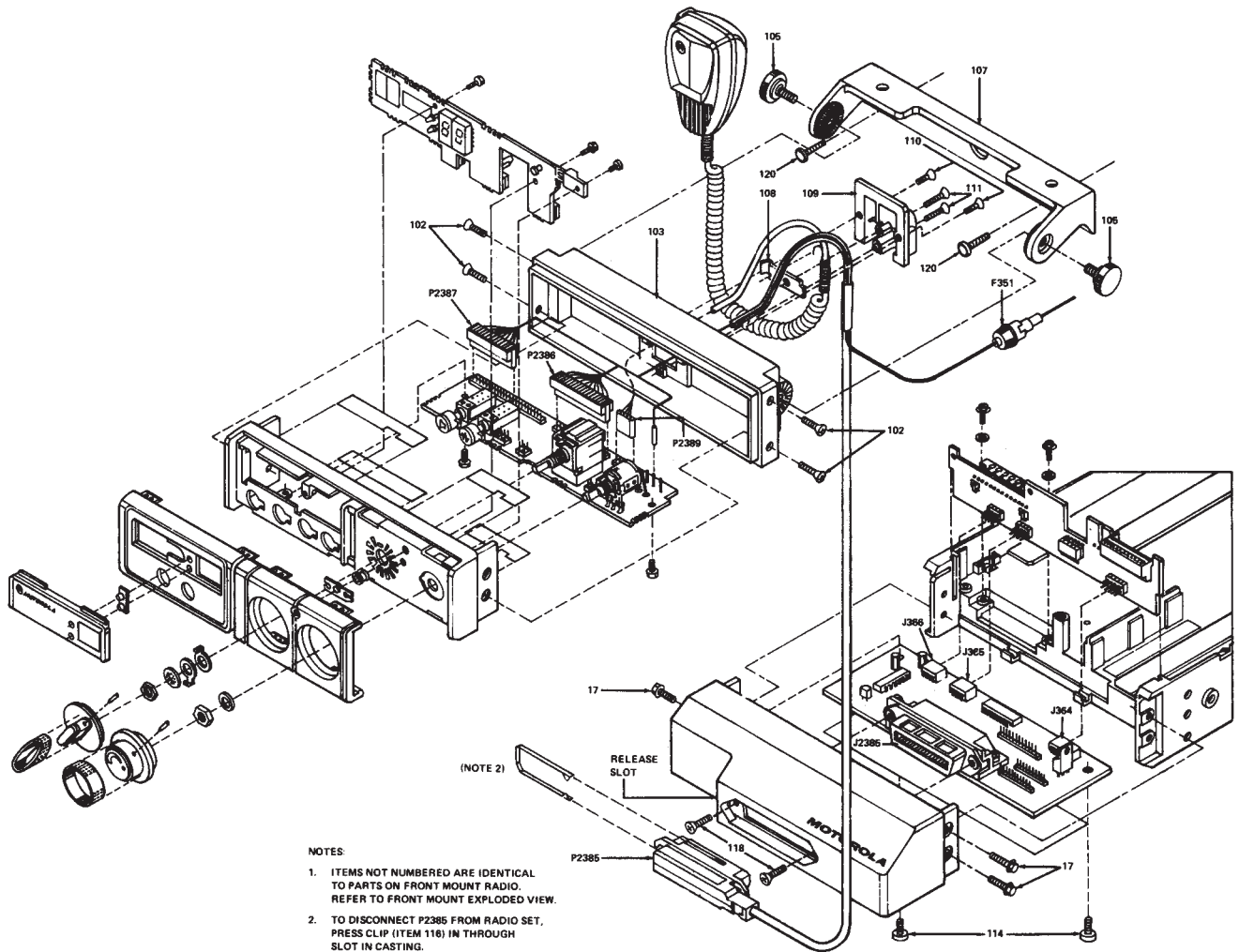
Replacement parts are no longer available

MCX100 Radio—Selctable PL/DPL/SINGLE Tone Radio Set

**Cancelled Product MCX90/MCX100:
Aftermarket support criteria has
been met for spare parts. Items are
no longer available.**

MCX100 Series

Parts List



Replacement parts are no longer available

MCX100 Radio-Control Head

**Cancelled Product MCX90/MCX100:
Aftermarket support criteria has
been met for spare parts. Items are
no longer available.**

MCX100 Series

Accessories, Antennas

Microphone Hang-up Clip

0100851093 Hang-Up Clip, Replacement

Power Supplies



HPN4001B

Power Supplies are available to power mobile models being used as base stations. Power cables must be ordered separately.

HPN4001B Power Supply for 25/30 watt Radios. 120/220/240 Vac, 50-60 Hz, 12 amp

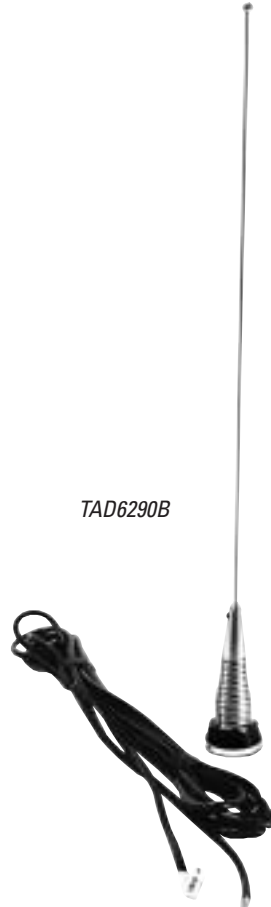
Mounting Bracket

MBTRN4677A Hinged Mounting Bracket

Antennas

Part Number: **TAD6290B**
Frequency: 150-174 MHz, Broadband
Power: 150 watts, maximum
Gain: Unity
VSWR: 2:1
Bandwidth: 24 MHz
Impedance: 50 ohms, nominal
Mounting Kit: Roof Mount with 16' RG58A/U Cable and PL259 Connector

TAD6290B



MCX100 Series

Manuals

Manuals

136-174 MHz

- 6802900A45** MCX100 Railroad Radio Programming Guide
- 6881045E20** MCX100 6/10W and 25/30W Mobile Radio (Service Information) MBD/MTB23, 43 CUA Series, MBD/MBT13, 23, 33 EMA Series
- 6881045E25** MCX100 6/10 and 25/30W Mobile Radio Theory of Operation and Maintenance (Supplement to 6881045E20) MBD/MBT23, 43, CUA Series, MBD/MBT13, 23, 33 EMA Series
- 6881047E40** MCX100 and Select 5 Signalling 6, 10, 25, 30W Mobile Radio (Supplement to 6881045E20) MBD/MBT13, 23, 33 EMA Series MBD/MBT23, 43, CUA Series
- 6881047E45** MCX100 Channel-Scan Monitoring (Supplement to 6881045E20)
- 6881110E80** MCX100 Owner's Manual (International English Version)
- 6881112E36** MCX100 Channel Scan Monitor Operator's Guide

Manuals

136-174, 440-470 MHz

- 6881065E65** MCX100 10W and 25W Motorcycle Radio MBM23PSA/MBM33PSA Series—136-174 MHz
- 6881115E07** MCX100 Motorcycle FM Radio 10W External Audio Amplifier Option B227 (Model VLN1060A)

403-470 MHz

- 6881045E30** MCX100 6/10W and 25/30W Mobile Radio MBD/MBT14, 24, 34, 44 EMA Series