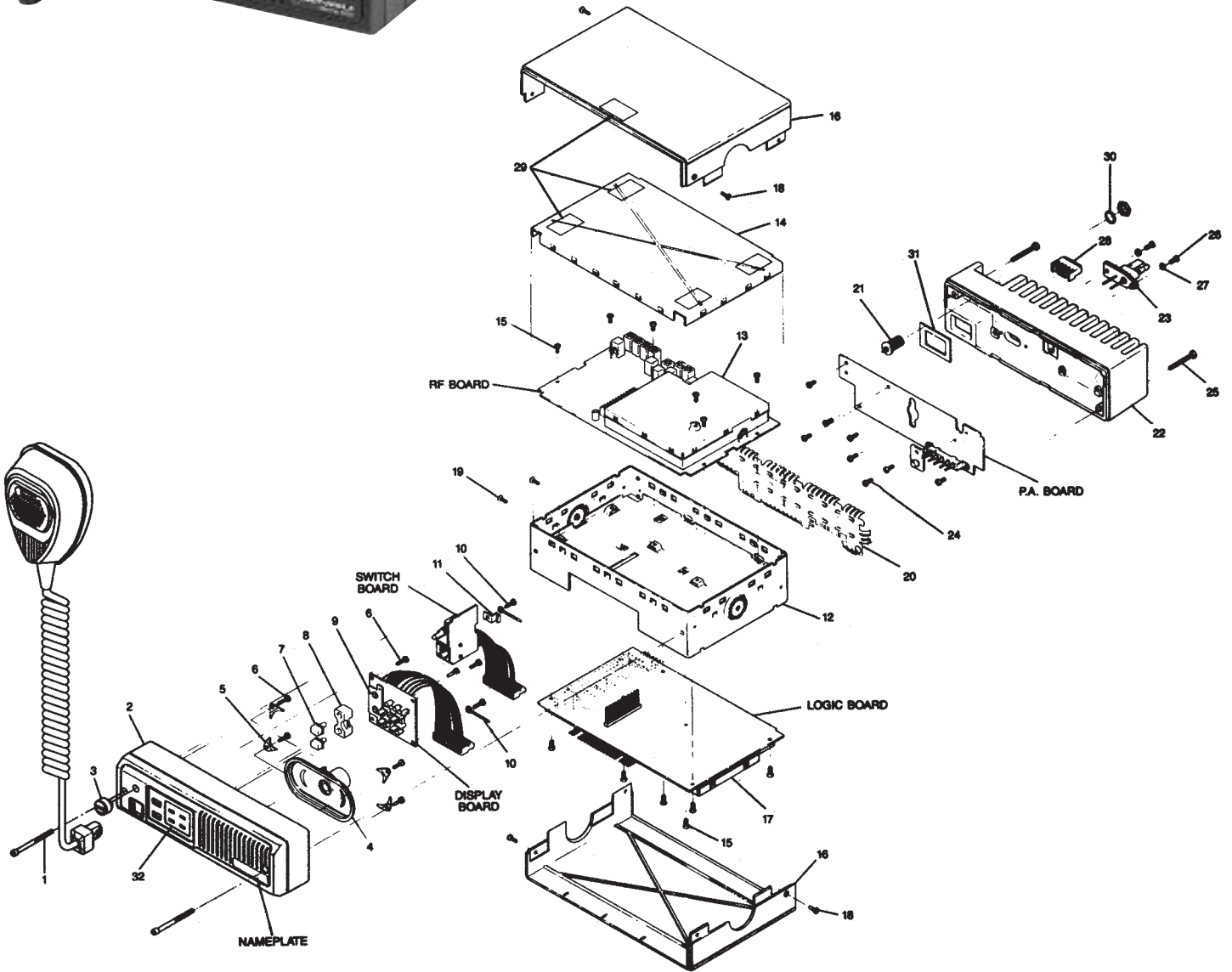


MAXTRAC Series

Parts List



MAXTRAC Series

Parts List

MaxTrac 50/100 and 820 Series

REF. NO.	PART NO.	DESCRIPTION
1	0380270L01	Front Mounting Screws; 2 used
2	1580129L01	Control Head Housing
3	3680144M01	Control Knob
4	5080085D02	Speaker
5	4280253L01	Speaker Retainer; 4 used
6	0310945A11	Plastic Screw; 9 used
7	3880272L02	Push Button; 2 used
8	4380273L01	Push Button Spacer
9	7580200L01	Keypad
10	2900129883	Wire Wrap; 2 used
11	0780037M01	Bracket, switch board
12	2780128L04	Chassis Frame
13	1580953T01	Cover, VCO shield
14	2680038M03	Shield, chassis RF
15	0310943M09	Taptite Screw (M3 x 6); 12 used
16	1580127L01	Cover, housing; 2 used
17	1580124M01	Cover, logic shield
18	0310943R55	Taptite Screw (M3 x 8, flathead); 4 used
19	0310943R04	Taptite Screw (M2.5 x 8, flathead); 2 used

REF. NO.	PART NO.	DESCRIPTION
20	2680223M05	Shield, PA, VHF & UHF
20	2680223M05	Shield, PA, 800 MHz
21	0980131M01	Connector, antenna
22	2680124L03	Heatsink, UHF & VHF
22	2680124L02	Heatsink, 800 MHz
23	0980255E01	Connector, power
24	0310943M10	Taptite Screw (M3 x 8); 8 used
25	0380271L01	Machine Screw (M4 x 17); 2 used
26	0380043L01	Taptite Screw (M3 x 10); 2 used
27	0400131974	Washer; 2 used
28	1580076M01	Housing, accessory connector
29	7580918T02	Pad, shock insulating; 5 used
30	0400002636	Washer, int loc
31	3280014N03	Gasket, accessory connector
32	1380276L02	Escutcheon, 2 frequency

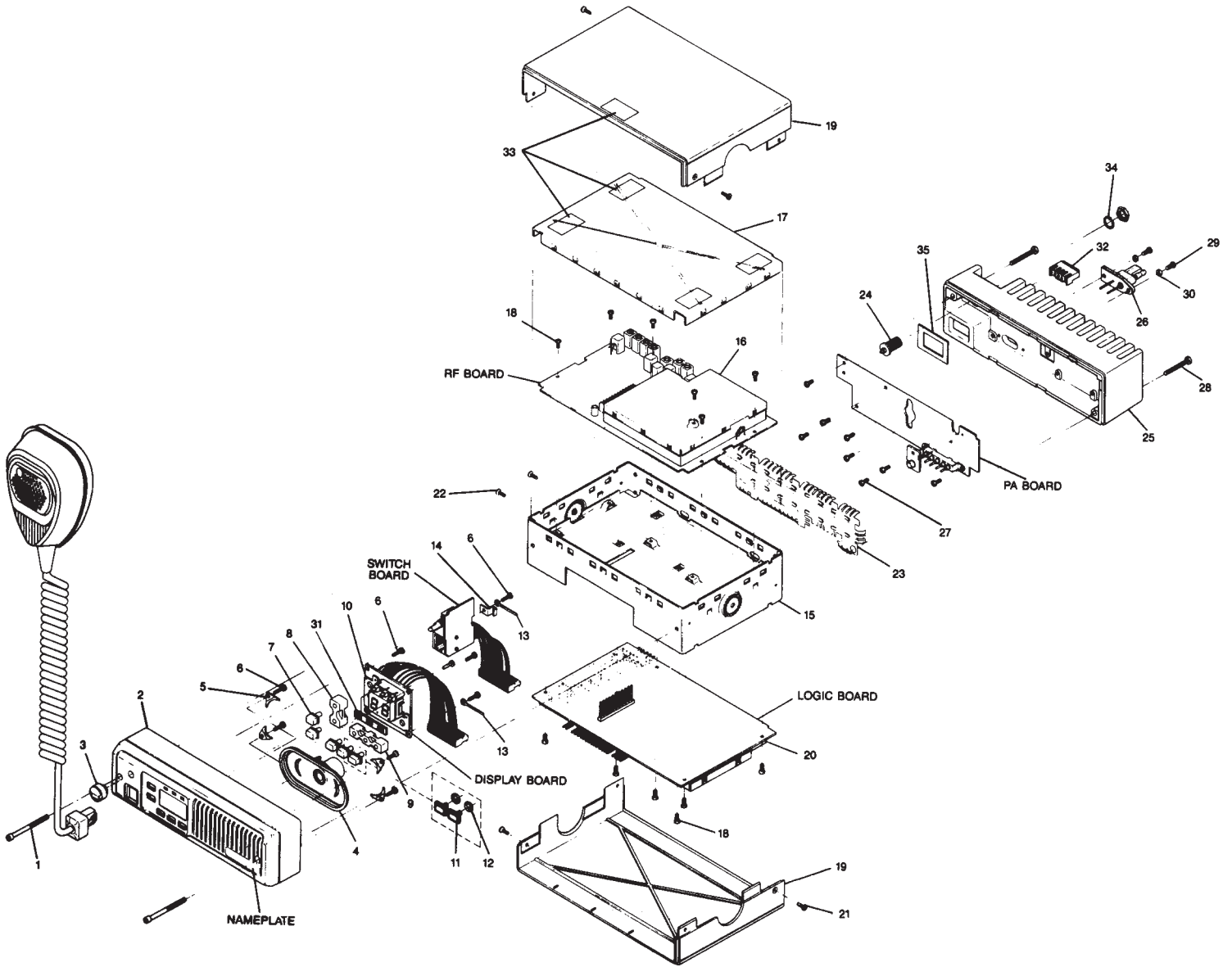
NON-REFERENCED ITEMS:

HLN5184	Switchboard
3380017N14	Nameplate



MAXTRAC Series

Parts List



MAXTRAC Series

Parts List

MaxTrac 300 and 840 Series

REF. NO.	PART NO.	DESCRIPTION
1	0380270L01	Front Mounting Screws; 2 used
2	1580129L01	Control Head Housing
3	3680144M01	Control Knob
4	5080085D02	Speaker
5	4280253L01	Speaker Retainer; 4 used
6	0310945A11	Plastic Screw; 9 used
7	3880272L02	Push Button (6 freq. models); 3 used (16 freq. models); 5 used
8	---	Push Button Spacer (1 x 2)
9	4380275L01	Push Button Spacer (1 x 3)
10	7580201L01	Keypad
11	3880077N01	Button Plug; 2 used
12	3280907T01	Gasket (6 freq. models only); 2 used
13	2900129883	Wire Wrap; 2 used
14	0780037M01	Bracket Switch Board
15	2780128L04	Chassis Frame
16	1580953T01	Cover, VCO shield
17	2680038M03	Shield, chassis, RF
18	0310943M09	Taptite Screw (M3 x 6); 12 used
19	1580127L01	Cover, housing; 2 used
20	1580124M01	Cover, logic shield
21	0310943R55	Taptite Screw (M3 x 8, flathead); 4 used
22	0310943R04	Taptite Screw (M2.5 x 8, flathead); 2 used

REF. NO.	PART NO.	DESCRIPTION
23	2680223M05	Shield, PA, VHF & UHF
23	2680223M05	Shield, PA, 800 MHz
24	0980131M01	Connector, antenna
25	2680124L03	Heatsink, UHF & VHF
25	2680124L02	Heatsink, 800 MHz
26	0980255E01	Connector, power
27	0310943M10	Taptite Screw (M3 x 3); 8 used
28	0380271L01	Machine Screw (M4 x 27); 2 used
29	0380043L01	Taptite Screw (M3 x 10); 2 used
30	0400131974	Washer; 2 used
31	3280039M01	Gasket
32	1580076M01	Housing, accessory connector
33	7580918T02	Pad, shock insulating; 5 used
34	0400002636	Washer, int loc
35	3280014N03	Gasket, accessory connector
36	1380277L01	Escutcheon (16 freq. models)

NON-REFERENCED ITEMS:

HLN5184	Switchboard
3380017N14	Nameplate

NOTE: The part number for the speaker lead assembly, including connector P10 and two lugs, is 0180747T30.



MAXTRAC Series

Mobile Accessories

Microphones

HMN1035C Palm Microphone, full size

HMN1056D Compact Palm Microphone

HMN4016A Noise Canceling Microphone, screens out background noise



HMN1035C



HMN1037B

HMN1037B Non-Backlit DTMF Microphone for 100/300 models

HMN3013A Non-Backlit DTMF Microphone for 1820/840 models

Microphone Accessories

HLN9073B Microphone Hand-Up Clip

HLN9559A 7' Coil Cord for microphones HMN1035 and HMN1056

HLN9560A 10.5' Coil Cord for microphones HMN1035 and HMN1056

Speakers



HSN4019B

Provides a separate speaker for high noise environments.

HSN4019B External Speaker, 5 watt (requires 5 pin options connector)

HSN9326A External Speaker, 5 watt (requires 16 pin options connector)

Public Address Accessories

HLN3145CR Public Address Kit, control switch panel for public address with cables (requires HSN1000B)

HSN1000B Public Address Speaker, 6 watt

HKN9324AR Speaker Cable, public address, 15 ft.

Mounting Hardware

Multiple mounting options are available. Key lock mount secures the radio with a two-piece detachable trunnion that locks together. Extra stability mount provides added stability to help protect your radio from high vibration environments. Standard and floor mounts also available.

HLN9637A Key Lock Mount (for lowband and 800 MHz)

HLN5226B Extra Stability Mount, used with non-locking trunnion

HLN5189A Non-locking Trunnion (for 820/840 series only)

HLN9450A Floor Mount, 45 Degrees/60 Degrees Wedge (for 100/300 model only)

HLN9404A Installation Sleeve Mounting Hardware (for 35 and 60 watt and low band models) for use with HLN9450A

Quick Release Slide Mount

The quick release slide mounts are easy to install and are available with a variety of mounting brackets which allow installation in any location within a vehicle.

RLN4091A Slide Mount Kit; includes vehicle mount (RLN4092A), radio mount (RLN4093A), and mounting hardware

RLN4092A Vehicle Mount Only, with hardware

RLN4093A Radio Mount Only, with hardware

RLN4094A Bracket for high power/lowband radio

RLN4077A Angle Bracket with 20 degrees Fixed Angle and 50 Degrees Swivel

RLN4078A Flat Bracket with 50 Degrees Swivel

MAXTRAC Series

Mobile Accessories

Ignition Switch Cable

HKN4284A Ignition Switch Cable (5 pin connector)

HKN9327A Ignition Switch Cable (16 pin connector)



HKN9327A

Alarm Accessories

HLN9328C External Alarm Relay Cable, (MAXTRAC 300—16 pin connector and 800 MHz display models only)

HLN9374C External Alarm Relay Cable, (MAXTRAC 100—5 pin connector and 800 MHz non-display models and 900 MHz models)

RLN5132A Emergency Alarm Pushbutton

HLN9330B Emergency Alarm Footswitch



HLN9330B

Control Station Kits



HLN3199C

Allows you to operate the radio from the convenience of your desktop. Control Station Package includes: power supply, adapter cable, black desk microphone and base tray.

HLN3199C High Power Control Station Package (25-60 watt models)

Control Station Accessories

HPN4002B Power Supply (1- 25 watt)

HPN4001B Power Supply (25-60 watt)

HMN3000B Standard Desktop Microphone, black

HMN1038E Desktop Microphone, beige

HLN5292BR Base Station Tray

HKN4139A Power Cable for low power control station

HKN9455A Power Cable for high power control station



HPN4002B



HLN5292BR

NOTE: Accessories are available for all MAXTRAC series radios unless otherwise specified.



MAXTRAC Series

Antennas, Service Tools

Antennas

800 MHz

HAF4002A 1/4 Wave, roof top (806-900 MHz)

RRA4983A 3dB, roof top (806-900 MHz)

900 MHz

RRA4935A 3dB, roof top w/14 ft. cable (890-960 MHz)

RAF4003ARM 3dB, roof top w/22 ft. cable (860-960 MHz)

VHF

HAD4006A 1/4 Wave, roof top (136-144 MHz)

HAD4007A 1/4 Wave, roof top (144-152 MHz)

HAD4008A 1/4 Wave, roof top (150.8-162 MHz)

HAD4009A 1/4 Wave, roof top (162-174 MHz)

RAD4010ARB 3dB, roof top (136-174 MHz)

UHF

HAE4002A 1/4 Wave, roof top (403-430 MHz)

HAE4003A 1/4 Wave, roof top (450-470 MHz)

HAE4004A 1/4 Wave, roof top (470-512 MHz)

HAE4010A 3.5dB, roof top (406-420 MHz)

HAE4011A 3.5dB, roof top (450-470 MHz)

HAE4012A 3.5dB, roof top (470-495 MHz)

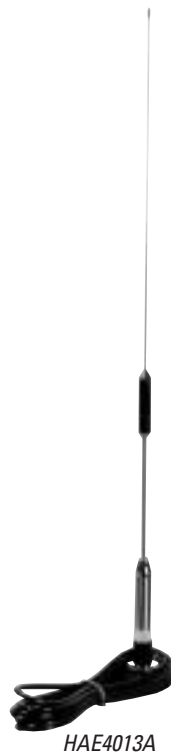
HAE4013A 3.5dB, roof top (494-512 MHz)

Low Band

RAB4002ARB 1/4 Wave Base Loaded Antenna (29.7-36.0 MHz)

RAB4003ARB 1/4 Wave Base Loaded Antenna (36-42 MHz)

RAB4004ARB 1/4 Wave Base Loaded Antenna (42-50 MHz)



HAE4013A

Antenna Adapter

5880367B22 Mini-UHF to UHF Antenna Adapter

2880376E84 Mini-UHF Antenna Connector

Miscellaneous

HLN9457A Accessory Plug and 16 Pins

HKN9557A Mini-UHF Adapter Cable

Service Tools



RSX4043A

Torque Screwdriver

Measures the amount of torque being applied. Recommended for precise radio assembly. Bits must be ordered separately.

RSX4043A Adjustable Torque Screwdriver

6680387A72 T-8 Torx Bit

6680387A74 T-10 Torx Bit

6680387A75 T-15 Torx Bit

6680387A77 T-25 Torx Bit

Insertion and Extraction Tool

6680163F01 Installs and/or removes wires from accessory connector.



6680163F01

Crimping Tool

6680388A26 For custom installations requiring crimping of Mini-UHF connector.



6680388A26

Battery Cable Adapter



6680388A13

6680388A13 Side Mount Battery Cable Adapter

MAXTRAC Series

Service Aids, Manuals

Service Aids

Radio Interface Box

Links radio programming cable and computer interface together. Provides required voltage shift to enable communications between radio and computer. Requires computer interface cable, radio programming cable, and a 9 volt snap type battery (6082728J01) or wall mount power supply, order separately.

RLN4008E Radio Interface Box



RLN4008E

Test Adapter

Used to manually key radio. Must be attached to Program/Test Cable

RLN4137A Test Adapter



RLN4137A



0180357A57

Wall Mount Power Supply

Used to supply power to Radio Interface Box.

0180357A57 Wall Mounted Power Supply (110 volts)

0180358A56 Wall Mounted Power Supply (220 volts)

Program/Test Cable

3080070N01 Required to program radio; acts as a link between Radio Interface Box and radio.

Service Aids

Computer Interface Cable

Used to connect computer's serial adapter to Radio Interface Box.

3080369B71 Computer Interface Cable; RIB to 25 pin D

3080369B72 Computer Interface Cable; RIB to 9 pin D

VCO Test Cable

Provides interface between RF board and test equipment.

3080373B41 VCO Test Cable

Programming Software

Utilizing your personal computer, this software enables you to add/or reprogram frequencies as your requirements change. Compatible with IBM XT, AT, Model 30, 50, 60 and 80. Requires Radio Interface Box and proper cables; order separately.

Conventional

RVN4019K Programming Software, 3-1/2" Diskette, Includes Binder and Manual.

Duplex, Trunked

RVN4043P Programming Software, 3-1/2" Diskette. Includes Binder and Manual.

Service Manuals

6880102W84 Service Manual, Low, UHF, VHF, and 800 MHz

