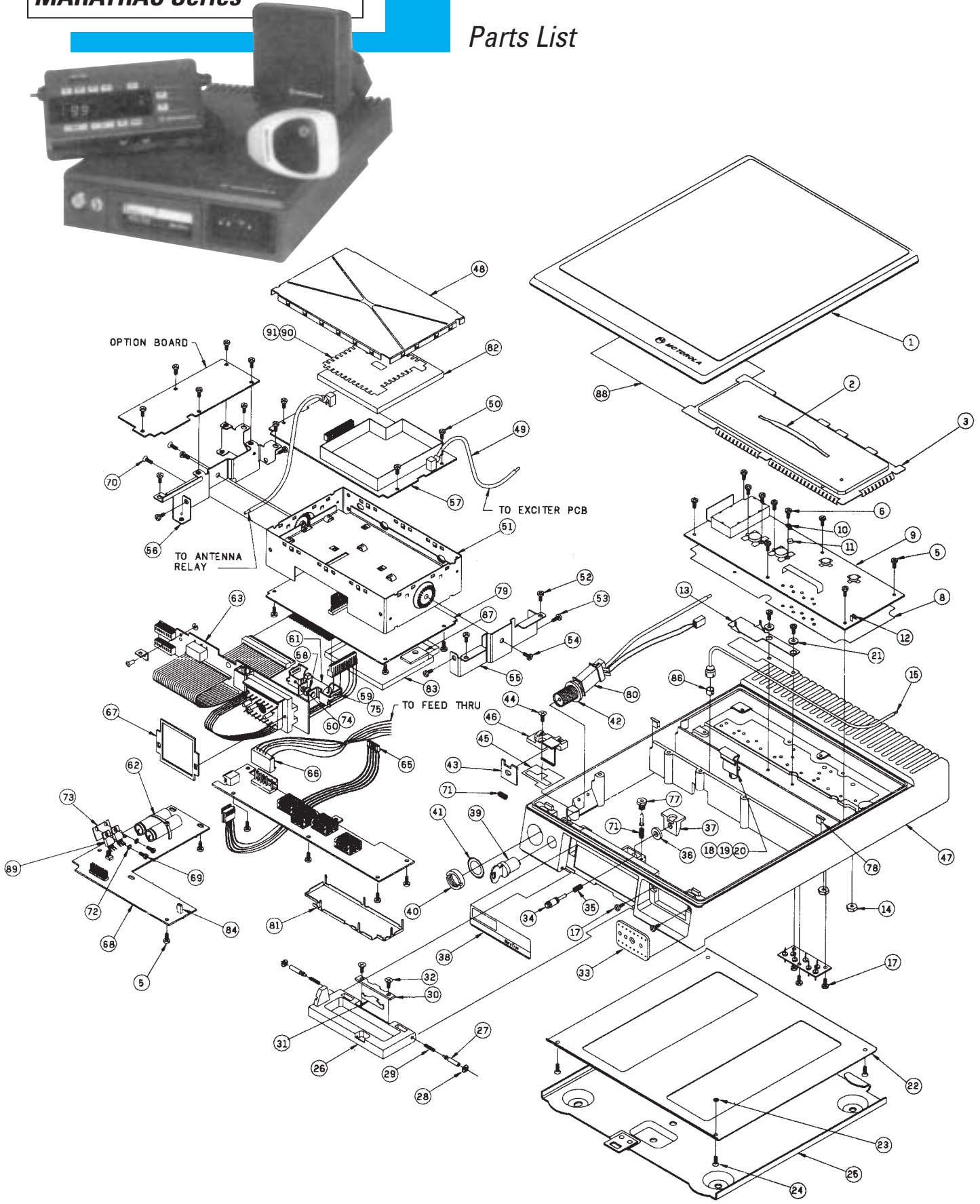


MARATRAC Series

Parts List



MARATRAC Series

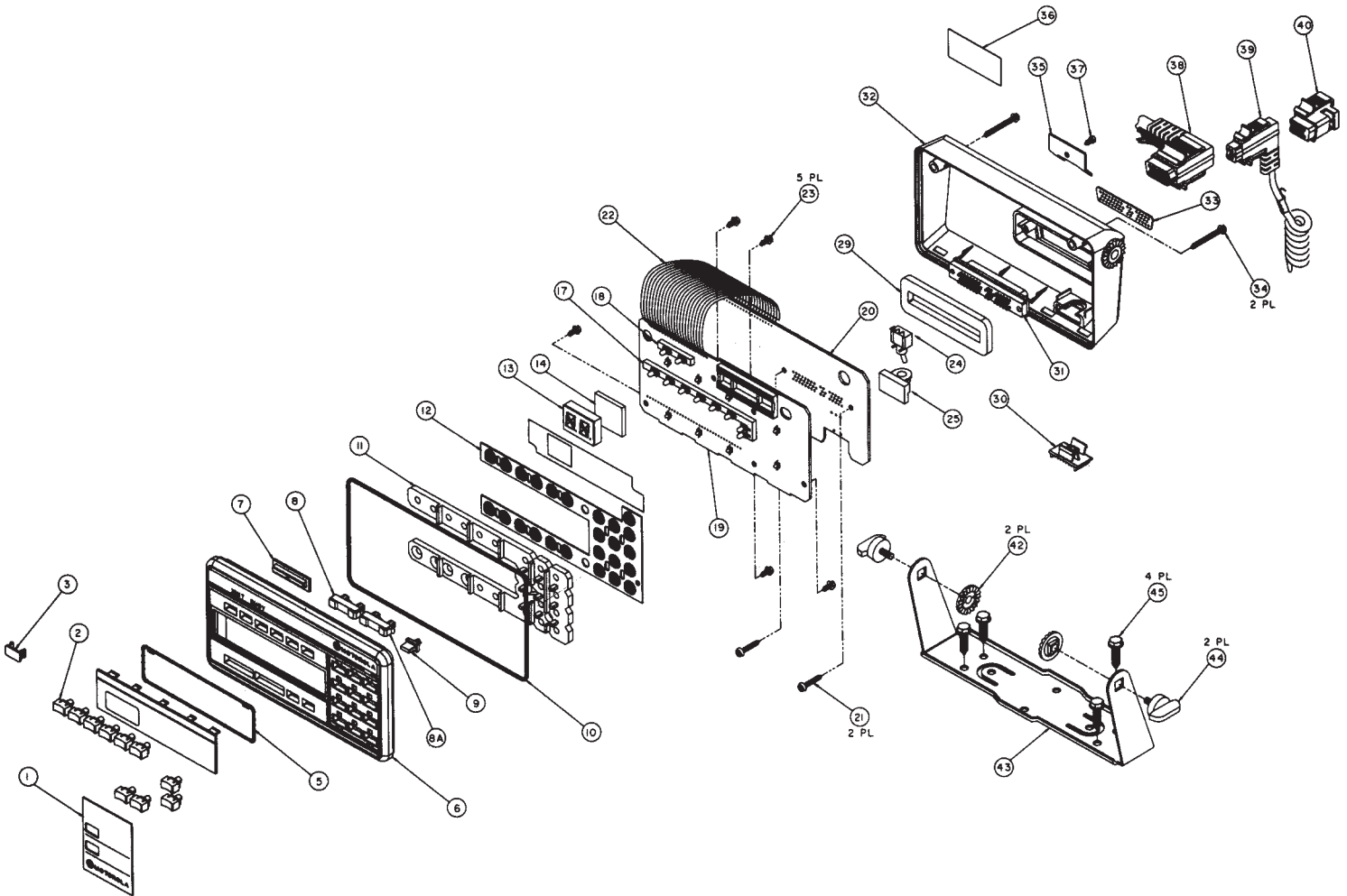
Parts List

VHF

REF. NO.	PART NO.	DESCRIPTION	REF. NO.	PART NO.	DESCRIPTION
1	0180251J02	Top Cover	50	0310943M09	Screw (3.0 x 0.5 x 6.0); 12 used
2	5584300B04	Handle, nylon	51	2780128L04	Chassis
3	2680070B01	Shield, PA compartment	52	0310943M17	Screw (3.5 x 0.6 x 13); 4 used
5	---	Screw (3.5 x 0.6 x 8.0); 20 used	53	0310908A35	Screw (4.0 x 0.7 x 8.0); 4 used
6	0310911A11	Screw (3.0 x 0.5 x 8.0); 4 used	54	0310908B08	Screw (5.0 x 0.8 x 10); 2 used
8	1480143A04	Insulator, PA	55	0780143N01	Bracket, transceiver, side
9	HLD4337	100W PA PCB Assembly	56	0780141N01	Bracket, transceiver, inner
10	0780078A01	Bracket, thermistor mounting	57	HLE9310	RF Circuit Board
11	7580043F01	Pad, compression (HLD4337B)	58	4880153A01	Diode, pellet
12	2980014A01	Clip, coax (HLD4337B); 2 used	59	2680274A01	Heatsink, diode, right
14	0200119913	Nut (8-32 x 11/32 x 1/8 hex); 2 used	60	2680275A01	Heatsink, diode, left
15	0180750T31	Coax Cable Assembly	61	2380167C03	Capacitor, electrolytic
17	0310908A26	Screw (3.5 x 0.6 x 6.0); 6 used	62	4280313A70	Strap, cable harness; 4 used
18	0200007005	Nut (6-32 x 1/4 x 3/32 hex)	63	HLN5343	Interconnect Circuit Board
19	2680154A01	Heatsink LL AMP	65	3080159N01	Cable, power control board
20	2680238N01	Heatsink T05	66	3080234N01	Cable, power control
21	---	Washer, shoulder	67	3280074A02	Gasket, cable plug
22	HLN4033	Bottom Cover Assembly	68	HLD4335	Audio/Squelch Board
23	0480149A01	Washer, captivating; 4 used	69	0310908A18	Screw (3.0 x 0.5 x 6.0); 2 used
24	0310913A29	Screw (3.5 x 0.6 x 13); 4 used	70	0310943R04	Screw (2.5 x 0.45 x 8.0); 2 used
25	HLN4034C	Mounting Tray Assembly	71	4180022A01	Spring, lock; 2 used
26	5580002A01	Handle	72	0484180C01	Washer, shoulder; 2 used
27	4780021A01	Pin, pivot; 2 used	73	1480075D01	Insulator, T0220
28	0480017F01	Washer, pivot; 2 used	74	---	Cable, 14 gauge, red
29	4180175A01	Spring; 2 used	75	---	Cable, 14 gauge, black
30	6480019A01	Plate, backup	77	---	Sleeve, cover release
31	0780113B01	Bracket, latch	78	4280013A01	Clip, coax; 3 used
32	0380001P01	Screw (3.5 x 0.6 x 6.0); 2 used	79	HLN5402C	Logic Board
33	3280020C01	Gasket, cable connector, front	80	HLN5344	Antenna Relay
34	4780027A01	Pushbutton	81	2680163N01	Shield, solder side
35	4180029A01	Spring, latch	82	1580953T01	Cover, VCO shield
36	3280295C01	Gasket	84	0980080L01	Jumper, 2-position
37	0780030A01	Bracket, latch	86	---	Ring, compression
38	3380028N03	Nameplate, radio	87	---	Pad, compression
39	5580370A01	Lock (Key 5500893872)	88	---	Label
40	0280006A01	Nut, spanner	89	5180065C04	IC Audio; 2 used
41	0400114522	Lockwasher, 5/8"			
42	3280080A01	Gasket, antenna connector			
43	0780016A02	Bracket, lock slide			
44	0310936E14	Screw (B3.5 x 1.27 x 13)			
45	3280000P01	Gasket, lock support			
46	0780015A02	Support, lock slide			
47	1580162N02	Housing			
48	2680038M03	Shield, chassis, RF slide			
49	3080231N01	Cable, coax			

MARATRAC Series

Parts List



MARATRAC Series

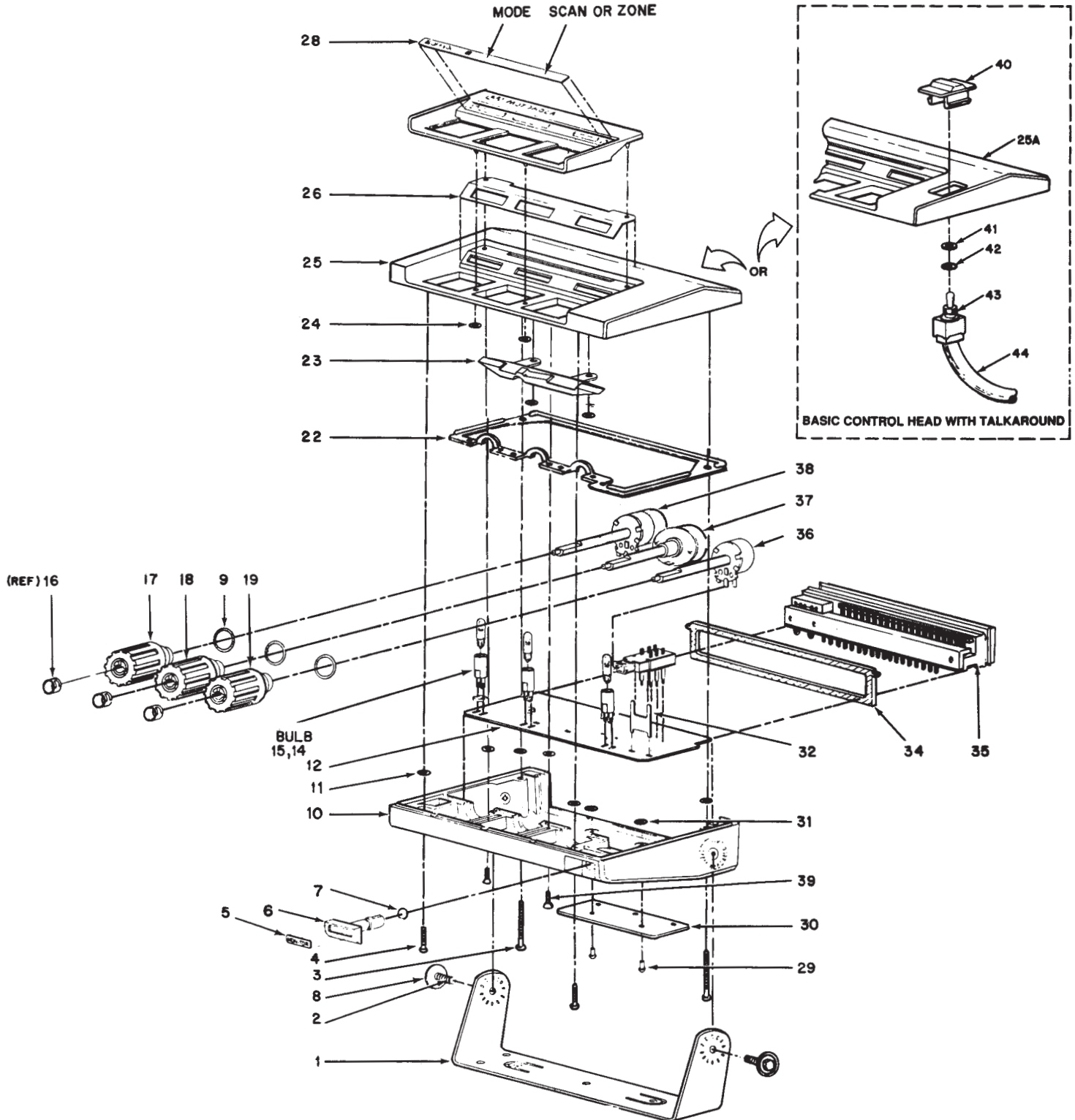
Parts List

UHF 450-470 MHz 75/100 Watts

REF. NO.	PART NO.	DESCRIPTION	REF. NO.	PART NO.	DESCRIPTION
1	1380087J04	Escutcheon	24	4080033K01	Toggle Switch (see Control Heads control board)
2	3805672X02	Pushbutton, MPL	25	3280178J01	Gasket, ON/OFF switch
2	3805672X03	Pushbutton, SCAN	26		
2	3805672X14	Pushbutton, RCL	&		
2	3805672X18	Pushbutton, SEL	28	---	(not used)
2	3805672X19	Pushbutton	29	3280179J01	Gasket, D-connector
2	3805672X39	Pushbutton, HOME	30	3280128J01	Topper, ON/OFF switch
3	3880253K02	Plug	31	2880228J01	D-Connector (see Control Heads control board)
5	3280057K02	Gasket, lens	32	1505199X04	Housing, rear (see note)
6	1505125X04	Housing, front (see note)	33	3280181J01	Gasket, connector face
8	3805670X04	Rocker Button, MODE	34	0310908A33	Screw, machine (M3.5 x 0.6 x 30)
8A	3805670X05	Rocker Button, VOL	35	0784323C01	Bracket, strain relief
9	3880092J01	Pushbutton, DIM	37	0310908A18	Screw, machine (M3 x 0.5 x 6.0)
10	3280180J02	Gasket, housing	38	HKN4321B	Radio Cable
11	6105126X01	Lightpipe, keypad	39	3080223J01	Six-Conductor Microphone Cable
12	6580098J01	Keypad	40	1580221J01	VIP Connector
14	7580094M04	Shock Pad	42	4380127J01	Spacer, trunnion
16	---	(not used)	43	0780263L01	Bracket, trunnion
17	4380011L01	Spacer, LED, 8-position	44	0380160E01	Screw, wing (M5.0 x 0.8 x 10)
18	4380012L01	Spacer, LED, 2-position	45	0300136756	Screw, tapping (10-16 x 5/8)
21	0310945A14	Screw, tapping (M3.12 x 1.27 x 16)			
22	3080034K01	Flex Cable			
23	0310945A11	Screw, tapping (M3.12 x 1.27 x 8.0)			

Note: Replace front and rear housings as a pair.

Parts List

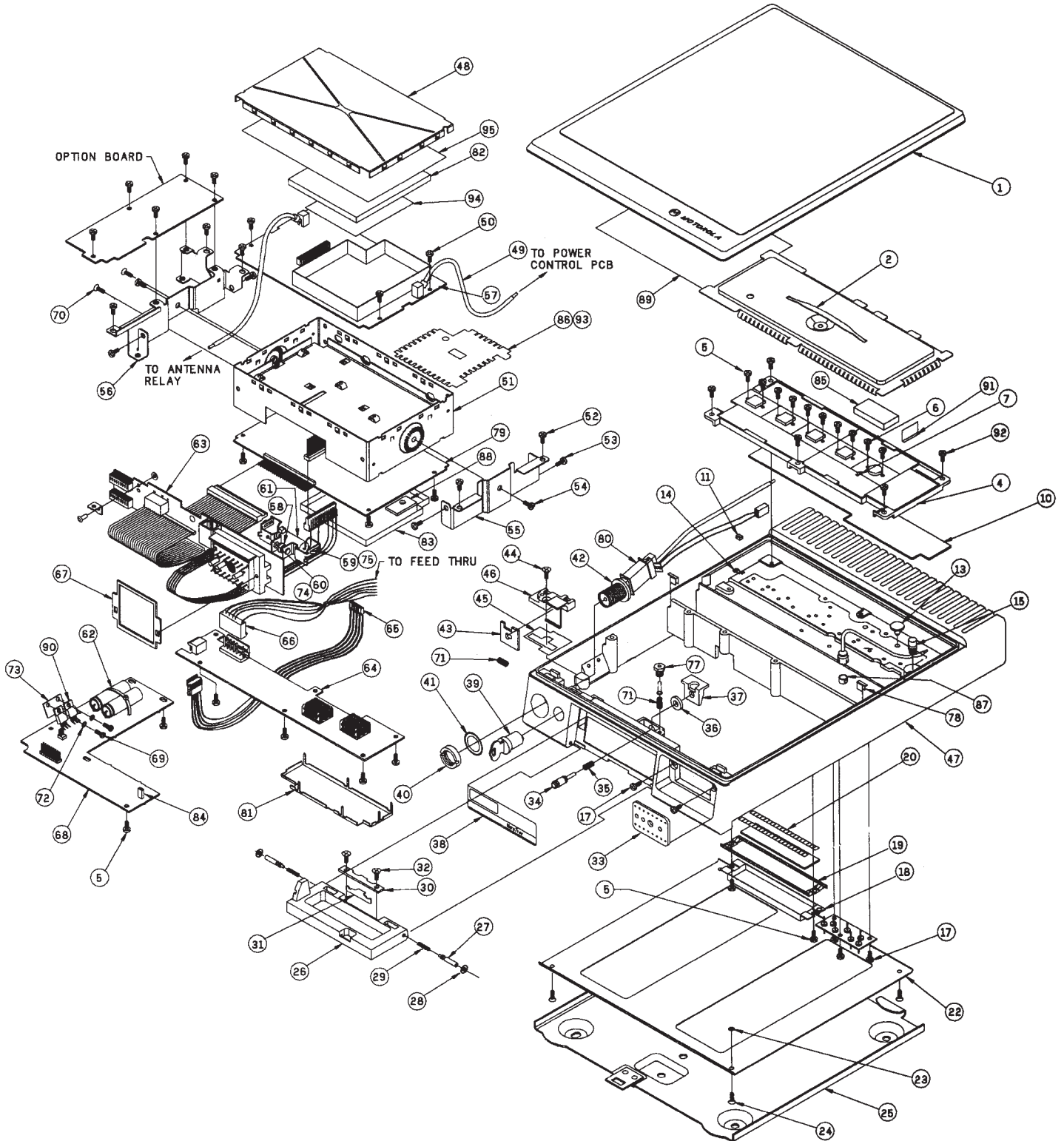


Parts List

Basic Control Head

REF. NO.	PART NO.	DESCRIPTION	REF. NO.	PART NO.	DESCRIPTION
1	0780101A01	Bracket, trunnion	26	3280140B03	Gasket, bezel
2	0300135726	Screw, trunnion; 2 used	28	3380116A09	Nameplate (overlay) (8 mode)
3	0310908A33	Screw, machine (M3.5 x 0.6 x 30); 2 used		or	
4	0310908A29	Screw, machine housing; 2 used		3380116A10	Nameplate (16 mode)
5	3380117A01	Nameplate, "MONITOR"	29	0500132475	Rivet; 2 used
6	3680102A01	Pushbutton	30	0780100A02	Bracket, strain relief
7	4210128A22	"O" Ring	31	0400007555	Washer, flat; 2 used
8	0400135784	Washer, trunnion; 2 used	32	0780159A01	Bracket, switch
9	4301028A23	"O" Ring; 3 used	34	3280038C01	Gasket, connector
10	1580109A01	Housing, button	35	1580237B02	Housing
11	0480149A01	Washer, captive; 6 used	36	4080166N02	Switch, rotary 2-P
14	0980051B01	Light Socket; 3 used	37	4080166N01	Switch, rotary 8-P
15	6580284N01	Light Bulb; 3 used	38	1880126A03	Potentiometer, rotary
17	3680107A01	Knob, volume squelch	39	0310913A29	Screw, machine (M3.5 x 0.6 x 1.0 x 3.0); 2 used 0300136756 Screw, tapping (10-16 x 5/8"); 3 used (for trunnion mounting)
18	3680107A05	Knob, mode	40	---	Repeat/Direct Button
19	3680107A06	Knob, zone	41	---	Nut, spanner
	or		42	---	Switch, housing (p/o 25A)
	3680107A07	Knob, scan	43	3205082E20	"O" Ring
22	3280203B01	Gasket, hosing	44	4005680K03	Toggle Switch
23	6180119A01	Lens			
24	4210113A31	Retainer Ring; 6 used			
25	1580108A01	Housing, top (for non-talkaround)			
25A	---	Housing, top (talkaround)			

Parts List



MARATRAC Series

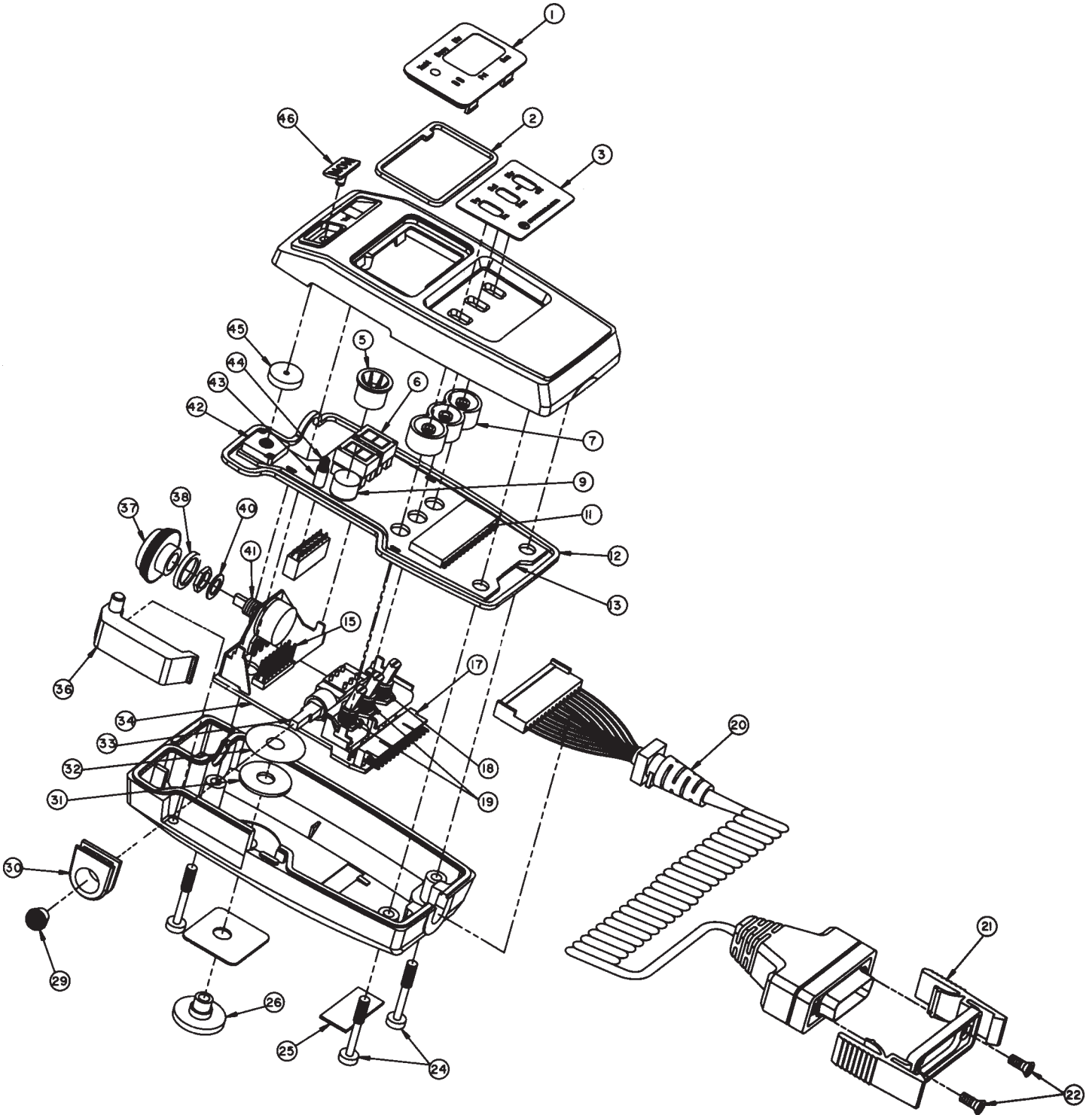
Parts List

UHF

REF. NO.	PART NO.	DESCRIPTION	REF. NO.	PART NO.	DESCRIPTION
1	0180251J02	Top Cover	50	0310943M09	Screw (3.0 x 0.5 x 6.0); 12 used
2	5584300B04	Handle, nylon	51	2780128L04	Chassis
4	4280137A03	Clamp, substrate	52	0310943M17	Screw (3.5 x 0.6 x 13); 4 used
5	---	Screw (3.5 x 0.6 x 8.0); 22 used	53	0310908A35	Screw (4.0 x 0.7 x 8.0); 4 used
6	0310911A11	Screw (3.0 x 0.5 x 8.0); 10 used	54	0310908B08	Screw (5.5 x 0.8 x 10); 2 used
7	4284510M04	Strap, PA; 4 used	55	0780142N01	Bracket, transceiver, side
10	HLE4449	Power Distribution Board	56	0780141N01	Bracket, transceiver, inner
11	7580054F01	Pad, compression	57	HLE9310C	RF Circuit Board
13	3280084A02	Gasket, stud device; 2 used	58	4880153A01	Diode, pellet
14	0780078A01	Bracket, thermistor mounting	59	2680274A01	Heatsink, diode, right
15	2680254A01	Heatsink, LLA	60	2680275A01	Heatsink, diode, left
17	0310908A26	Screw (3.5 x 0.6 x 6.0); 6 used	61	2380167C03	Capacitor, electrolytic
18	1580066B01	Cover, harmonic filter	62	4280313A70	Strap, cable harness; 4 used
19	2680079B01	Shield, harmonic filter gasket	63	HLN5343	Interconnect Circuit Board
20	3280074B01	Gasket, harmonic filter; 2 used	64	HLE4444	Exciter, power control circuit board
22	HLN4033	Bottom Cover Assembly	65	3080159N01	Cable, power control board
23	0480149A01	Washer, cap; 4 used	66	3080234N01	Cable, power control
24	0310913A29	Screw (3.5 x 0.6 x 13); 4 used	67	3280074A02	Gasket, cable plug
25	HLN4034	Mounting Tray	68	HLN5342	Audio/Squelch Board
26	5580002A01	Handle	69	0310908A18	Screw (3.0 x 0.5 x 6.0); 2 used
27	4780021A01	Pin, pivot; 2 used	70	0310943R04	Screw (2.5 x 0.45 x 8.0); 2 used
28	0480017F01	Washer, pivot; 2 used	71	4180022A01	Spring, lock
29	4180175A01	Spring; 2 used	72	0484180C01	Washer, shoulder; 2 used
30	6480019A01	Plate, backup	73	1480075D01	Insulator, T0220
31	0780113B01	Bracket, latch	74	3010286A06	Cable, 14-gauge, red
32	0180001P01	Screw (3.5 x 0.6 x 6.0); 2 used	75	3010286A04	Cable, 14-gauge, black
33	3280020C01	Gasket, cable connector, front	77	4380150A01	Sleeve, cover release
34	4780027A01	Pushbutton	78	4280013A01	Clip, coax; 2 used
35	4180029A01	Spring, latch	79	HLN5402	Logic Board
36	3280295C01	Gasket	80	HLN5345	Antenna Relay
37	0780030A01	Bracket, latch	81	2680163N01	Shield, solder side
38	3380028N03	Nameplate, radio	82	1580953T01	Cover, VCO shield
39	5580370A01	Lock	83	1580124M01	Cover, logic shield
40	0280006A01	Nut, spanner	84	0980080L01	Jumper, 2-position
41	0400114522	Lockwasher, 5/8"	85	7582200H01	Pad, compression; 4 used
42	3280080A01	Gasket, antenna connector	86	2680923T01	Shield, RF to chassis
43	0780016A02	Bracket, lock slide	87	4284733F01	Ring, compression
44	0310936E14	Screw (B3.5 x 1.27 x 13)	89	5480166K01	Label
45	3280000P01	Gasket, lock support	90	5180065C04	IC Audio; 2 used
46	0780015A02	Support, lock slide	91	1480135H01	Insulator, hybrids; 3 used
47	1580162N02	Housing			
48	2680038M03	Shield, chassis RF side			
49	3080231N01	Cable, coax			

MARATRAC Series

Parts List



MARATRAC Series

Parts List

Handheld Control Head

REF. NO.	PART NO.	DESCRIPTION	REF. NO.	PART NO.	DESCRIPTION
1	6180052H07	Lens	25	3380025H21	Nameplate, HHCH
2	---	Gasket, lens	26	0500855939	Rivet
3	1380020H09	Escutcheon (for talkaround)	29	3880131P01	Cap, PTT switch
3	1380020H10	Escutcheon (for non-talkaround)	30	3280060H01	Seal, PTT
5	---	Seal, microphone	31	---	Washer, flat
6	4880187G05	Diode, common anode	32	1480258N01	Insulator, microphone
7	3280063H01	Seal, switch	33	4080065E01	Switch, momentary PTT
9	5080258E04	Electret, microphone cartridge	36	3880131P01	Button, PTT
11	5180135C08	IC Display, driver MM5480	37	3680053H01	Knob
12	3280058H03	Gasket, housing	38	4284591A03	"O" Ring
15	2880005S08	Connector, male header	40	0400124629	Washer, flat
17	2880195N01	Plug, right angle	41	1880095D07	Resistor, variable, squelch
18	4080123H06	Switch, toggle	42	4080067H01	Switch, momentary
19	4080123H01	Switch, toggle	43	---	Spacer, LED
20	3080227N01	Cable, coiled	44	4805504C01	LED
21	4280253N01	Clip, coiled cord	45	3280062H01	Seal, button
22	0300140287	Screw	46	3880054H02	Squelch Button
24	0380076E02	Screw, metric, hi-lo	47	---	Gasket Retainer

MARATRAC Series

Mobile Accessories

Microphones/Handsets

A variety of microphones are available to add flexibility and ease of operation.

HMN1015A Standard Palm Microphone for A2 and A3 models

HMN1061A Standard Palm Microphone for A7 model

HMN4013A Noise Cancelling Microphone for A7 models

HMN1032B DTMF Microphone for A7 model

HLN1220B Handset with Hang-up Box for A7 model

Speakers



HSN4020B

Adds external speaker—useful in high noise environments.

HSN4020B External Speaker for use on MARATRAC A2 and A3 models

HSN4021B External Speaker for use on MARATRAC A5 and A7 models

Sirens

Speakers for Siren

TDN6251A Siren Speaker, Round with Chrome Finish

TDN6252A Siren Speaker, Rectangular with Chrome Finish

TDN6253A Siren Speaker, Round with Grey Finish

TDN6254A Siren Speaker, Rectangular with Grey Finish



TDN6254A

Front/Rear Controls

HLN1398A Front and Rear Control, includes auxiliary handset, hang-up cup, control box and power voice speaker (requires one of the following control cables)

YKN4228A 17' Front and 40' Rear Control Cable

YKN4230A 17' Front and 80' Rear Control Cable

YKN4229A 25' Front and 40' Rear Control Cable

Basic Control Heads

HCN1089A VHF, UHF A7 Advanced Control Head

HCN1090A Lowband A7, 99-channel Advanced Control Head with Adjustable Squelch Control, for use with radios shipped since 10/94

MARATRAC Series

Accessories, Antennas

Emergency Switch

Enables user to send an emergency message to a console, where their unit ID can be displayed and an alarm sounded

HLN6555A Emergency Footswitch for A7 models

HLN4811A



Alarm

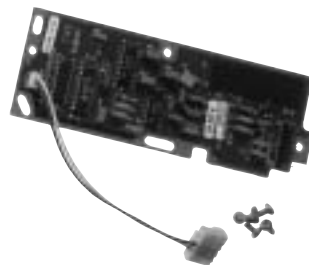
HKN1015A External alarm cable and relay, VHF and UHF (for Horn and Lights)

HLN3091A External alarm cable and relay, Low Band (for Horn and Lights)

Note: Horn and Lights are not independently selectable on low band models

Signaling Retrofit Kits

HLN1400A DTMF decode signalling kit (for POST 1990 radios)



HLN1400A

Mobile Antennas

Low Band

RAB4002ARA Low Band 1/4 Wave Base Loaded Antenna, 29.7-36 MHz

RAB4003ARA Low Band 1/4 Wave Base Loaded Antenna, 36-42 MHz

RAB4004ARA Low Band 1/4 Wave Base Loaded Antenna, 42-50 MHz

VHF

TAD6112A VHF 1/4 Wave Roof Mount Antenna, 144-152 MHz

TAD6113A VHF 1/4 Wave Roof Mount Antenna, 150-162 MHz

TAD6114A VHF 1/4 Wave Roof Mount Antenna, 162-172 MHz

UHF

TAE6052A UHF 1/4 Wave Roof Mount Antenna, 450-470 MHz



RAB4004ARA

MARATRAC Series

Service Tools

Service Tools

Torque Screwdriver

Measures the amount of torque being applied. Recommended for precise radio assembly. Bits must be ordered separately.



RSX4043A

RSX4043A Adjustable Torque Screwdriver

6680387A72 T-8 Torx Bit

6680387A74 T-10 Torx Bit

6680387A75 T-15 Torx Bit

6680387A77 T-25 Torx Bit

Insertion and Extraction Tool

Installs and/or removes wires from accessory connector.

6680163F01 Insertion and Extraction Tool



6680163F01

Crimping Tool

For custom installations requiring crimping of Mini-UHF RF connector.

6680388A26 Crimping Tool



6680388A26

Battery Cable Adapter

6680388A13 Side Mount Battery Cable Adapter



6680388A13

Service Tools

Program/Test Cable

Required to program radio; acts as a link between RIB and radio.

3080070N01 Program/Test Cable



RLN4137A

Test Adapter

Used to manually key radio. Must be attached to Program/Test Cable

RLN4137A Test Adapter

VCO Test Cable

Provides interface between RF Board and Test Equipment.

3080373B41 VCO Test Cable

Computer Interface Cable

Used to connect computer's serial adapter to Radio Interface Box.

3080369B71 Computer Interface Cable; RIB to 25 pin D

3080369B72 Computer Interface Cable; RIB to 9 pin D



RLN4008E

Radio Interface Box

Links radio programming cable and computer interface together. Provides required voltage shift to enable communications between radio and computer. Requires computer interface cable, radio programming and a 9 volt snap type battery (6082728J01) or wall mount power supply, order separately.

RLN4008E Radio Interface Box

MARATRAC Series

Service Aids, Manuals

Service Aids



0180357A57

Wall Mounted Power Supply

Used to supply power to Radio Interface Box.

0180357A57 Wall Mounted Power Supply, 110 volts

0180358A56 Wall Mounted Power Supply, 220 volts

Service Manuals

6880102W95	Service Manual, T81XTA Series
6880102W94	Service Manual, MARATRAC VHF
6880102W21	Service Manual, MARATRAC UHF

Programming Software

Utilizing your personal computer, this software enables you to add or reprogram frequencies as your requirements change. Compatible with IBM XT, AT, Model 30, 50, 60, and 80. Requires Radio Interface Box and proper cables; order separately.

RVN4023F Programming Software, 3-1/2" Diskette (includes binder and manual)