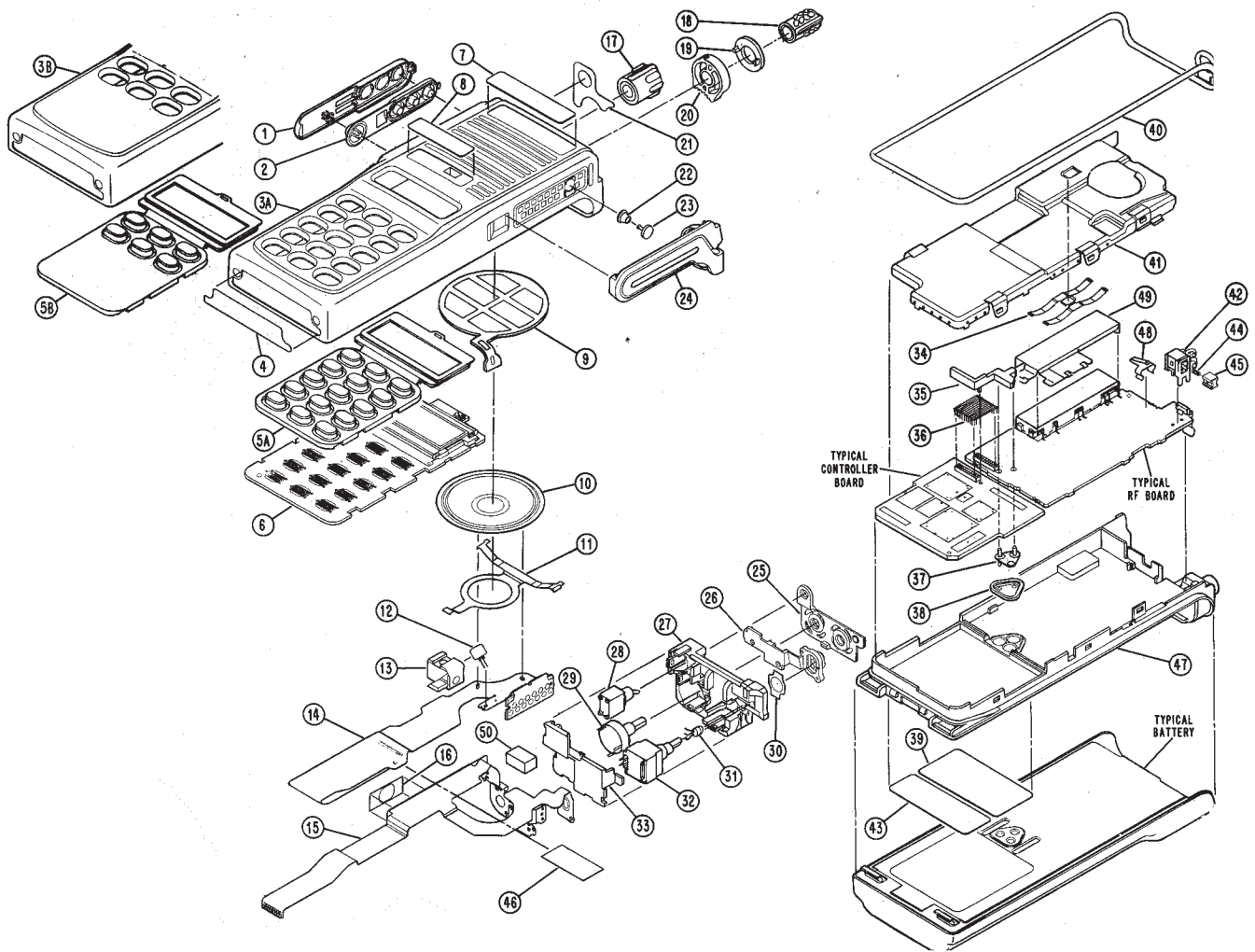


# JT1000 Series



## Parts List



# JT1000 Series

## Parts List

REF. NO.	PART NO.	DESCRIPTION	REF. NO.	PART NO.	DESCRIPTION
1	<b>4505896U02</b>	Lever, PTT	27	<b>2705877U01</b>	Housing, Switch
2	<b>3205902U01</b>	Seal, PTT, and Actuator for S404, S405, S406, and S408	28	----	Switch, Toggle (S402) – not available
3A	<b>1505637V04</b>	Cover, Front; Full Keypad	29	----	Potentiometer/Switch, On/Off/Volume Control (R401/S403) – not available
3B	<b>1505637V05</b>	Cover, Front; Limited Keypad	30	<b>3905329W01</b>	Popple, Emergency Button
4	----	Label, Agency Approval; not field replaceable	31	----	LED (CR702A/CR702B) – not available
5A	<b>7505870U01</b>	Keypad, 15-key	32	----	Switch, Frequency (S401) – not available
5B	<b>7505870U02</b>	Keypad, 6-key	33	<b>1505632V01</b>	Cover, Switch Housing
6	<b>5105238U83</b>	Module, Display	34	----	Spring, PA; not field replaceable, order front shield (item 41)
7	<b>3305183R55</b>	Label, Motorola	35	<b>4205507X01</b>	Strain Relief
8	<b>3305409X06</b>	Label, JT1000	36	<b>8405247V01</b>	Connector, Strip (P301/P704) Flex, Jumper (early version radios)
9	<b>3505535X02</b>	Felt, Speaker	37	----	Plug, Connector (P404) – not available
10	----	Speaker (LS401) – not available	38	<b>3205820V02</b>	Seal, Connector Plug
11	<b>0705470V01</b>	Bracket, Speaker Retainer	39	----	Label, Rear; Information; not field replaceable
12	----	Microphone – not available	40	<b>3205176Z01</b>	“O” Ring, Contoured/Seal, Antenna
13	<b>1405330W02</b>	Boot, Microphone	41	<b>2605891U03</b>	Shield, Front
14	<b>8405310W04</b>	Flex, Front Cover/Display	42	----	Switch, RF (S101) – not available
15	<b>8405641V02</b>	Flex, Controls	43	----	Label, Barcode; not field replaceable
16	<b>3905517V01</b>	Popple, PTT (part of S406)	44	<b>4105266V01</b>	Spring, RF Switch
17	<b>3605253V01</b>	Knob, On/Off/Volume	45	<b>4405524V01</b>	Piston, RF Switch
18	<b>3605636V01</b>	Knob, Frequency	46	<b>1405307X01</b>	Insulator
19	<b>1305633V01</b>	Ring, Concentric; Escutcheon	47	<b>1505892U06</b>	Chassis (Rear Cover)
20	<b>3605635V01</b>	Knob, Concentric Ring	48	<b>3905838V01</b>	Contact, Antenna Shield Ground (800 MHz and 900 MHz radios only)
21	<b>1305698V01</b>	Escutcheon, Control Top	49	<b>2605898U01</b>	Shield, PA (800 MHz and 900 MHz radios only)
22	<b>3205160W01</b>	Seal, Actuator; for S101	50	<b>7505393N33</b>	Pad, Shock
23	<b>2205159W01</b>	Pin, Actuator; for S101			
24	<b>3205514W01</b>	Seal, Accessory Connector			
25	<b>3205177Z01</b>	Seal, Control Top			
26	<b>3205178Z01</b>	Seal, Emergency Button			

## JT1000 Series



## Portable Accessories

### Chargers

Single unit chargers are available in either desktop or compact styles for small system users. Multiple unit chargers can be wall or rack mounted and are ideal for multi-shift operations. All chargers are specifically designed to meet the requirements of batteries manufactured by Motorola. All chargers listed are rapid rate and will fully charge your battery in less than 3 hours.

#### Single Unit Desktop Chargers – Rapid Rate

The desktop charger has the power supply built into the base unit and will charge both NiCd and NiMH batteries.



NTN1168A

**NTN1168A** Rapid Rate Desktop Charger, 110V

**NTN1169A** Rapid Rate Desktop Charger, 220V (supplied with 2 prong cord)

**NTN1170A** Rapid Rate Desktop Charger, 240V (supplied with 3 flat prong cord)

#### Single Unit Compact Bi-Chemistry Chargers – Rapid Rate

The bi-chem charger has the power supply built into the line cord giving the user a smaller base unit for easier storage. It also utilizes an enhanced charging algorithm that will help maximize the life of your batteries. It will rapid rate charge both NiCd and NiMH batteries.

**RPX4747A** Compact Bi-Chem Charger, 110V

**RPX4748A** Compact Bi-Chem Charger, 230V Euro plug

**RPX4749A** Compact Bi-Chem Charger, 230V UK plug

### Chargers

#### Multiple Unit Charger (MUC)

Multi-unit chargers offer six pockets that can be used to rapid charge 1 to 6 batteries simultaneously. The batteries can be charged with the radios or separately. They will rapid rate charge both NiCd and NiMH batteries.

**NTN1177D** Six-Pocket, rapid rate 110V

**NTN1178D** Six-Pocket, rapid rate, 220V (supplied with 2 prong cord)

**NTN1179D** Six-Pocket, rapid rate, 240V (supplied with 3 flat prong cord)



NTN1177D

#### AC Line Cords

**3060665A04** 120V Interchangeable line cord

**3060665A05** 220V Interchangeable line cord with 2 prong Euro plug

#### MUC Accessories

**NLN7967A** Wall Mount

#### Travel Charger

**RLN4884B** Travel Charger kit includes a cigarette lighter adapter attached to a rapid charger and mounting bracket. Allows radio to be used while it is charging.



RLN4884B

#### Travel charger Mounting Bracket

**0780384K84** Universal Mounting Bracket for Travel Charger. Includes screws and nylon cord.

#### Travel Charger AC Transformer

Travel charger AC transformer adapts onto the cigarette lighter adapter cord to allow it to be plugged into an AC wall outlet for indoor use

**2580600E05** Transformer 120V (US)

**2580600E06** Transformer 230V (Euro)

**2580600E07** Transformer 230V (U.K.)

**2580600E08** Transformer 220V (Argentina)

# JT1000 Series

## Portable Accessories

### Chargers

#### impres™ Smart Energy System



WPLN4111AR

The impres smart energy system ensures maximum talk-time and optimized battery cycle life through the use of its advanced charging algorithm and automatic reconditioning features. The smart energy system reconditions impres batteries when they need it, automatically, keeping them in peak condition. It's advanced conditioning features allow batteries to be safely left on the charger for extended

periods of time without incurring the damaging heat build-up which can rob batteries of cycle life. In addition, batteries left on the charger are kept fully charged so they are always ready when you need them. The impres system reconditions batteries when they need it based on their usage pattern. Talk time and cycle life are optimized and the need for manual maintenance programs reduced or eliminated. This rapid-rate tri-chemistry charging system will also charge existing legacy batteries and supports multiple radio platforms including Saber, XTS, and HT1000 series portables.

**WPLN4111AR** impres Single Unit Charger

**WPLN4108BR** impres Multi-Unit Charger

#### impres™ Multi-Unit Charger with Display Modules

The impres Multi-Unit Charger with Charger Display Modules has a two-line LCD screen for each of its six charger pockets that provides users with a host of valuable battery information. When a calibrated impres battery is inserted into a pocket, it provides the current battery mAh and percent of rated capacity which allows the user to immediately know the status of the battery without having to charge and discharge the battery. Additionally, the unit displays the remaining charge time (NiCd and NiMH only) which lets the user know when the impres battery will be ready for use. Additional information displayed includes: battery serial and part number information, battery chemistry, voltage and charge status and the version of the charger and display modules.

**WPLN4130AR** Multi-Unit Charger with Display Modules



WPLN4130AR



### Chargers

#### impres™ Bundle Packs

Provide significant savings on the impres products by bundling a charger and batteries together as a smart energy system package.

**RLN5265A** impres single unit charger with two HNN9029AR batteries

**RLN5266A** impres single unit charger with two HNN9028AR batteries

**RLN5439B** impres multi unit charger with six HNN9029AR batteries

**RLN5440B** impres multi unit charger with six HNN9028AR batteries

### Motorola Conditioning Charger (MCC)

The MCC will help extend battery life and enhance battery operation. It will safely condition and charge your specified nickel cadmium (NiCd) and nickel metal hydride (NiMH) batteries in approximately one to two hours.

**WPLN4090BR** MCC Kit, 110V AC; includes both base unit and 7V adapter

**WPLN4091BR** MCC Kit, 220V AC; includes both base unit and 7V adapter

**WPPN4002BR** 110V AC Base Charge Unit Only (order adapter plate separately)

**WPPN4006AR** 220V AC Base Charge Unit Only (order adapter plate separately)

**WPPN4065BR** Multi-Unit Conditioning Charger Four Station Base 110V (order adapter plate separately)

**3080384G15** Cigarette Lighter Adapter Cord; MCC multi-unit conditioning charger

**RLN4814A** Vehicular Mounting Bracket for single unit Motorola Conditioning Charger



WPPN4002BR

# JT1000 Series

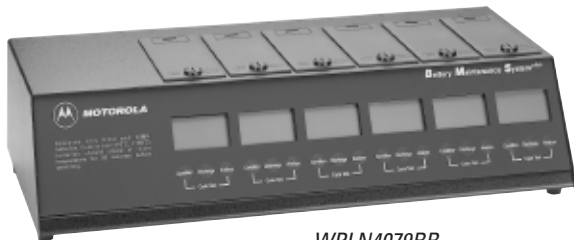
## Portable Accessories

### Battery Maintenance System<sup>plus</sup> (BMS<sup>plus</sup>)

#### Increase the useful life of your batteries.

Using interchangeable battery adapters (sold separately), the BMS<sup>plus</sup> is capable of charging and discharging, analyzing, conditioning and cycle test on batteries; tracking battery voltage and capacity (mAh).

The BMS<sup>plus</sup> offers a 3 year warranty. Its easy-to-use design supports hundreds of 2-way, cellular, and camcorder batteries with printer port\* (Serial-RS-232C port – uses female 9-pin to male 25-pin cable).



WPLN4079BR

**WPLN4079BR** Six-Station, 110V AC, 50/60 Hz

**WPLN4080BR** Six-Station, 230V AC, 50/60 Hz

#### BMS<sup>plus</sup> Adapter

**TDN9435C** Adapter Compatible with NiCd Batteries Only

**CDN6364A** Adapter Compatible with Both NiCd and NiMH Batteries



TDN9435C

### Battery Optimizing System II (BOS II)



WPLN4124AR

No other battery analyzer matches the speed, accuracy, and versatility of the Battery Optimizing System II. Ideal for large fleet, public safety, and all other users who rely on their battery performance. Now with increased power, more sophisticated programming options, and easier to use

navigation paths, optimizing your batteries was never easier. Key features include:

- Support for NiCd, NiMH, Li-ion, and SLA batteries
- 100 watt power supply and programmable from 100 mA to 4 amps per station
- Interchangeable adapters accommodate all major brands
- Includes a variety of user programs and allows for customizable programming
- Proprietary recondition cycle restores NiCd and NiMH batteries
- Increased processing power and testing resolution – including a three minute Quicktest that measures the batteries State of Health (SoH)
- Printer output for reports and labels
- Three year warranty

**WPLN4124AR** BOS II, Four-Station, 100-240V AC (US line cord)

**WPLN4125AR** BOS II, Four-Station, 100-240V AC (UK/Euro line cords)

#### BOS II Adapter

**RL-72403** Standard Adapter

#### Vehicular Charger

This 12V DC charger is ideal for mobile customers; it charges portable radio NiCd batteries in rapid charge mode (in less than 3 hours) until full charge is obtained and then switches to trickle charge mode. A

microprocessor controls the charge rate. This durable unit comes with a metal mounting bracket and is PAC-RT compatible.

**TDN9816A** Vehicular Charger



TDN9816A

\*Compatible with the STAR Micronics SP200 series printers, available from any STAR Micronics distributor, and other printers with STAR emulation.

# JT1000 Series

## Portable Accessories

### Carrying Accessories

#### Carrying Cases

A variety of carrying accessories are available for your comfort and convenience. The carrying cases are available in sizes designed to fit your radio & battery and permit audio to be heard clearly.

#### Standard Belt Loop Carrying Cases



NTN7247A

**NTN7238A** Leather Carry Case with Belt Loop and T-Strap for use with high capacity battery

**NTN7239A** Leather Carry Case with Belt Loop and T-Strap for use with ultra-high capacity battery

**NDN4018B** DTMF Leather Carry Case with Belt Loop for use with high and ultra-high capacity batteries

**NTN7247A** Nylon Carry Case with Belt Loop and Strap for use with high and ultra-high capacity batteries

#### High Activity Swivel Carrying Cases

The following carrying cases have a high activity swivel "D" button and belt loop. To remove case from belt loop, rotate case 180 degrees and slide case upward, out of the holder. Case stays on belt more securely in high activity applications versus standard swivel cases while allowing the radio to swing freely with body movements.

**NTN8035B** Leather Carry Case with 2.5" High Activity Swivel Belt Loop and T-Strap for use with high capacity battery

**NTN8037B** Leather Carry Case with 3.0" High Activity Swivel Belt Loop and T-Strap for use with high capacity battery

**NTN8036B** Leather Carry Case with 2.5" High Activity Swivel Belt Loop and T-Strap for use with ultra-high capacity battery



NTN8036A

### Carrying Accessories



NTN8038A

**NTN8038B** Leather Carry Case with 2.5" High Activity Swivel Belt Loop and T-Strap for use with ultra-high capacity battery

**NDN4017B** DTMF Leather Carry Case with 3.0" High Activity Swivel Belt Loop and Antenna Strap for use with high and ultra-high capacity battery

#### T-Strap

**NTN7782A** T-Strap for leather Carry Cases

**NTN7376A** T-Strap for nylon carry cases

#### Belt Clips

**4205638V07** 3" Belt clip

**4205638V09** 2.5" Belt clip

#### Belt Loops

**NTN8039B** 2.5" High Activity Swivel Belt Loop

**NTN8040B** 3.0" High Activity Swivel Belt Loop



4200865599

#### Belt

**4200865599** 1.75" Wide Black Belt

#### Carrying Strap

**NTN5243A** Shoulder Carry Strap, allows easy carrying of radio in a case when not wearing a belt



NTN5243A

#### High Activity Button

**NTN8036B** "D" Button, high activity

# JT1000 Series

## Portable Accessories

### Carrying Accessories

#### Swiveller

**TDN9684A** Swiveller, includes clip button, holster and belt

#### Swiveller Replacement Accessories

**TDN9690A** Clip button, mounts on battery

**TDN9688A** Holster, compatible with all buttons

**TDN9687A** Belt, 2" nylon



TDN9684A



TDN9687A

#### Portable Radio Hanger

The portable radio hanger slides over and hangs from the door panel in a vehicle. The radio's belt clip slides onto the portable hanger allowing convenient, easy mounting. Two sizes are available to fit door panels.

**TDN9327A** Portable Radio Hanger for door panels up to 2.75"

**TDN9373A** Portable Radio Hanger for door panels up to 3.25"



TDN9327A

### Carrying Accessories

#### Chest Pack

Carry the radio mounted on chest with adjustable straps over shoulders and around waist.

**HLN6602A** Universal Chest Pack with Radio Holder, Pen Holder, and Velcro Secured Pouch

**1505596Z02** Replacement Strap for HLN6602A



HLN6602A

#### Break-A-Way Chest Pack

All of the same features as the original chest pack (HLN6602A) plus break-a-way tabs that allow the entire pack to be pulled off with approximately 10 lbs. of pressure. Perfect for railroads, manufacturing locations, construction sites and anywhere safety is a concern.

**RLN4570A** Break-A-Way Chest Pack



RLN4570A



#### RadioPAK™

**RLN4815A** Universal RadioPAK™ with Radio Holder. Worn around waist with adjustable belt. Includes attached 6" by 8" zippered pouch for other job necessities.

**4280384F89** Universal RadioPAK™ belt lengthener; fits waists larger than 40"

# JT1000 Series

## Portable Accessories

### Audio Accessories



NMN6193B

#### Remote Speaker Microphones (RSM)

Allows you to talk and listen without removing the radio from the belt case or charger. Ideal for high noise level environments. These water resistant microphones include coil cord assembly, 3.5mm earjack, swivel clothing clip and quick disconnect latch.

**\*NMN6193B** Remote Speaker Microphone

**\*NMN6191B** Noise Cancelling Remote Speaker Microphone

**0104004J26** Replacement Coil Cord Cable Assembly for Remote Speaker Microphones

#### Public Safety Speaker Microphones (PSM)

Public Safety Speaker Microphones include straight cord assembly, 3.5mm earjack, swivel clip, quick disconnect latch, antenna connector, and receiver, audio high/low volume push button. Antenna must be ordered separately. Use radio antennas on page 180.

**\*NMN6228C** 30" Noise-Cancelling Public Safety Speaker/Microphone, straight cord

**\*NMN6243B** 18" Noise-Cancelling Public Safety Speaker/Microphone, straight cord

**\*NMN6244B** 24" Noise-Cancelling Public Safety Speaker/Microphone, straight cord

**0104004J29** 30" Public Safety Microphone Cable

**0104004J46** 18" Public Safety Microphone Cable

**0104004J47** 24" Public Safety Microphone Cable

**REX4410C** PTT Paddle Replacement Kit for Remote and Public Safety Microphones

### Audio Accessories

#### RSM Accessories

##### Epaulet Strap

Black leather epaulet strap secures remote speaker microphone to epaulet straps on shirt or jacket and accommodates back clip in leather cut-outs. Snap closure secures remote speaker microphone cord to allow reliable communications in hostile environments.

**RLN4294A** Epaulet Strap, Velcro

**RLN4295A** Epaulet Strap, small clip



RLN4295A

#### Pellet Style Earpieces

Pellet style earpieces allow the user to receive communication discreetly and is comfortable for extended wear.



BDN6780A

**BDN6780A** Pellet Style Earpiece with Clip Microphone and Push-To-Talk button. Requires BDN6676D audio adapter.

**BDN6781A** Receive-only Pellet Style Earpiece. Requires BDN6676D audio adapter unless being used with speaker microphone.

**5780372E70** Replacement Foam Ear Cushion for Pellet Earpieces

#### Flexible Ear Receiver

Earpiece contains a flexible earloop and speaker and rests on the outside of the ear.

**BDN6719A** Ear Receiver with 3.5mm Threaded Plug, requires adapter BDN6676D unless being used with speaker microphone

**7580372E11** Replacement Foam Ear Cushions for BDN6719A



BDN6719A

\* Intrinsicly safe



# JT1000 Series

## Portable Accessories

### Audio Accessories

#### Headsets for the RSM and PSM

**RMN4056A** Receive-Only Dual Muff Headband Style Headset; provides 24dB of noise reduction; for use with all Remote and Public Safety Microphones with a 3.5mm threaded jack (can be plugged directly into radio with BDN6676D adapter)

**RMN4057A** Receive-Only Hardhat Mount mounts easily to hardhats with slots and provides 22dB of noise reduction; for use with all Remote and Public Safety Microphones with a 3.5mm threaded jack (can be plugged directly into radio with BDN6676D adapter)

**RLN4923A** Replacement Earseals for RMN4056A and RMN4057A



RMN4056A

#### CommPort: Integrated Microphone/Receiver System

CommPort system contains a miniature microphone and receiver, and connects to your two-way radio, making it possible to hear and speak under the most adverse conditions.

**\*NTN1624A** Integrated Ear Microphone/Receiver System w/Palm PTT (includes BDN6676D radio adapter)

**\*NTN1625A** Integrated Ear Microphone/Receiver System (includes BDN6676D radio adapter)

**NTN1623A** CommPort integrated ear microphone/receiver system w/palm PTT (Includes Hirose adapter) Requires Astro antenna adapter 4305909W01 (order separately)



NTN1623A

### Audio Accessories

**\*NTN1663A** Integrated Ear Microphone/Receiver System w/Ring PTT (includes BDN6676 3.5mm Jack Adapter)

**\*NTN1736A** Integrated Ear Microphone/Receiver System with snap-on side PTT (includes BDN6676D radio adapter)

**\*NNTN4186A** Integrated Ear Microphone/Receiver System with body PTT (includes BDN6676D radio adapter)

**\*NKN6510A** Replacement Cable for NTN1624

**NKN6508A** Replacement Cable for NTN1625

**NKN6512A** Replacement Cable for NTN1663

**NNTN4188A** Replacement Remote Push-to-Talk Body Switch

**NTN8821A** CommPort Maintenance Kit, Includes Replacement Ear Tubes (Quantity 10), Windscreens (Quantity 2) and Microphone Seal Strips (Quantity 10)

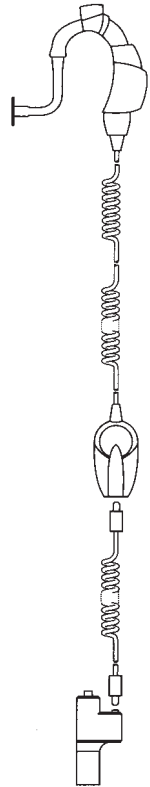
**NTN8986A** Adhesive Pads (Quantity 90) for secure attachment to ear

**NTN8988A** Ear Straps (Quantity 10), for secure attachment to ear

**4285838B01** Replacement Collar Clip

**4202006A01** Replacement Back Cover Clip

**RLN5037A** Replacement Ear tubes (Quantity 10)



NTN1625

\* Intrinsicly safe

# JT1000 Series

## Portable Accessories

### Audio Accessories

#### Surveillance Accessories

Surveillance accessories allow the user to privately receive communications with the earpiece and are ideal when environments require discrete communications.

The following surveillance accessories require the BDN6676D (3.5 mm threaded adapter jack) that attaches to the radio.

Receive-only Surveillance Kit (1-Wire)

- \*BDN6664A Beige
- \*BDN6665A Beige
- BDN6726A Black
- BDN6727A Black



BDN6664A

Receive-only Surveillance Kit with Volume Control (1-Wire)

- \*BDN6666A Beige
- BDN6728A Black



BDN6666A

Surveillance Kit with Microphone and Push-To-Talk Combined (2-Wire)

- \*BDN6667A Beige
- \*BDN6669A Beige
- BDN6729A Black
- BDN6731A Black



BDN6667A

Surveillance Kit with Microphone and Push-To-Talk Separate (3-Wire)

- \*BDN6668A Beige
- \*BDN6670A Beige
- BDN6730A Black
- BDN6732A Black
- \*BDN6676D 3.5mm Jack Adapter with Quick Disconnect Latch



BDN6668A

### Audio Accessories

#### Surveillance Kits with Extended Wear Earpiece

These kits include a comfort earpiece with a rubber ear tip and a clear comfortable acoustic tube. Users can hear transmissions clearly, while the clear tube provides a discreet appearance.

- RLN5311A** Beige Two-Wire Comfort Earpiece with Combined Microphone and Push-To-Talk; requires BDN6676D audio adapter
- RLN5312A** Black Two-Wire Comfort Earpiece with Combined Microphone and Push-To-Talk; requires BDN6676D audio adapter
- RLN5313A** Receive-Only Comfort Earpiece, black
- RLN5314A** Receive-Only Comfort Earpiece, beige

#### Surveillance Kit Replacement Accessories

- 5080369E38** Standard Earpiece Assembly, includes earphone, earloop and eartip, beige
- 5080370E90** Standard Earpiece Assembly includes earphone, earloop and eartip, black
- 5080369E39** Extra Loud Assembly, includes earphone, earloop and eartip, beige
- 5080370E91** Extra Loud Earpiece Assembly, includes earphone, earloop and eartip, black
- 5080369E40** Plastic Urethane Earloop, beige
- 5080370E92** Plastic Urethane Earloop, black



5080369E39



5080370E92



5080370E41

- 5080369E41** Wire Earloop
- 5080371E69** Small Rubber Eartip, beige, pack of 25
- 5080371E71** Small Rubber Eartip, black, pack of 25
- 5080371E73** Standard Rubber Eartip, beige, pack of 25
- 5080371E75** Standard Rubber Eartip, black, pack of 25
- 5880377E06** Plastic Eartip Adapter, pack of 10

\* Intrinsically safe

# JT1000 Series



## Portable Accessories

### Audio Accessories

#### Completely Discrete Earpiece

Remain discretely in touch with this miniaturized receiver. All messages received through the user's two-way radio are inductively relayed to the wireless earpiece in the user's ear. Inductive neckloop is easily hidden under the user's clothing for covert operations. Neckloop attaches to the user's Motorola Surveillance Kit providing completely discrete two-way communications. Security operatives, public safety officials, and private investigators can communicate with ease without any visible equipment. Small as it is, it offers a full range of audio functions including automatic squelch, automatic gain control and noise filtering. **Must be used in conjunction with a Motorola Surveillance Kit. Just remove the earpiece on any standard 2- or 3-wire surveillance kit and plug in the neckloop for completely discrete communication.**

**RLN4922A** Completely Discrete Earpiece Kit; includes wireless earpiece, inductive neckloop, 6 spare batteries and 5 spare ear wax guards

**RLN4919A** Ear Wax Guards, 5 per pack

**RNN4005A** 1.4V Battery, 6 per pack



RLN4922A

### Audio Accessories

#### Noise Kits

Lightweight translucent tube attaches to Motorola surveillance accessories. Clothing clip prevents the accessory from being pulled from the ear due to body movement or head rotation.

**NTN8370A** Extreme Noise Kit, includes 2 foam earplugs for loud environments, provides 24dB noise protection

**NTN8371A** Low Noise Kit, includes rubber eartip for low noise environments

**5080384F72** Replacement Foam Plugs; pack of 50 (for use with NTN8370A)

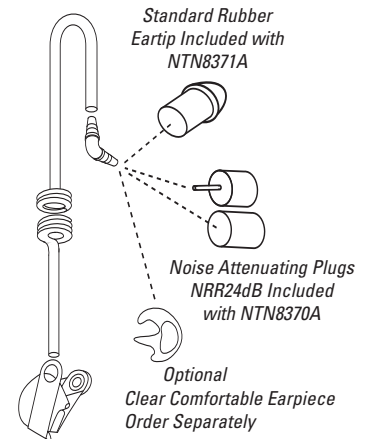


NTN8370A

#### Clear Comfortable Earpiece

The clear comfortable earpiece forms to the inside of your ear and is perfect for low noise environments. Compatible with the NTN8371A, clear acoustic tube assembly, and most surveillance kits (1-, 2- and 3-wire). This earpiece is made of easy-to-clean chemically inert, hypoallergenic material. There are 3 items needed to make this product work:

1. Clear Comfortable Earpiece
2. Clear Acoustic Tube Assembly (NTN8371A)
3. Surveillance Kits



Acoustic Tube with Earphone

**RLN4760A** Small Custom Earpiece, right ear

**RLN4763A** Small Custom Earpiece, left ear

**RLN4761A** Medium Custom Earpiece, right ear

**RLN4764A** Medium Custom Earpiece, left ear

**RLN4762A** Large Custom Earpiece, right ear

**RLN4765A** Large Custom Earpiece, left ear

# JT1000 Series

## Portable Accessories

### Audio Accessories

#### Ear Microphone System (EMS)

This compact unit picks up the voice through bone vibrations in the ear canal. The miniature earpiece leaves the hands free and face unobscured when worn by rescue and hazard protection personnel, who still retain the ability for direct hearing and speaking. For personnel required to wear breathing apparatus, communications with protective masks are as clear as communications without. And its high speech clarity under noisy environments makes it ideal for high noise environments. Available in PTT or Voice Activated (VOX). Interface Module needs to be ordered separately for EMS to work

**\*BDN6677A** Ear Microphone for Standard Noise Levels (up to 95dB, black)

**\*BDN6678A** Ear Microphone for Standard Noise Levels (up to 95dB, beige)

**\*BDN6641A** Ear Microphone for High Noise Levels (up to 105dB)



**BDN6641A**  
Requires  
interface module  
sold separately



**BDN6708B**

#### Interface Module For EMS

**\*BDN6708B** Push-To-Talk Interface Module

**\*BDN6671B** Push-To-Talk or Voice-Activated Interface Module

### Audio Accessories

#### Optional Accessories For EMS

**\*0180358B38** Remote Push-To-Talk Ring Switch

**0180300E83** Remote Push-To-Talk Body Switch

**0180300E25** Earguard with Adjustable Loop; secures ear mic in ear

**0180358B32** Earholder, black size small; secures ear mic in ear

**0180358B33** Earholder, black, size medium; secures ear mic in ear

**0180358B34** Earholder, black, size large; secures ear mic in ear

**0180358B35** Earholder, clear, size small; secures ear mic in ear

**0180358B36** Earholder, clear, size medium; secures ear mic in ear

**0180358B37** Earholder, clear, size large; secures ear mic in ear

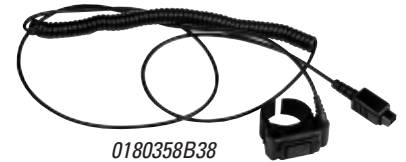
**4280369E44** Replaceable Belt Clip with Screws

**5080358B28** Eartips, black, size medium (10 per pack)

**5080358B29** Eartips, black, size large (10 per pack)

**5080358B30** Eartips, beige, size medium (10 per pack)

**5080358B31** Eartips, beige, size large (10 per pack)



**0180358B38**



**0180358B33**

\* Intrinsicly safe

# JT1000 Series

## Portable Accessories

### Audio Accessories

#### Lightweight Headsets

Lightweight headsets allow for high clarity, hands-free, discrete two-way communication, while adding comfort necessary for extended wear in moderate noise environments. Requires BDN6676D Audio Adapter.

**\*NMN6245A** Single Muff Lightweight Headset with In-line Push-To-Talk Switch (requires BDN6676D adapter)

**\*NMN6246B** Ultralite Headset with Boom Microphone and In-line Push-To-Talk Switch; ear bud style receiver (requires BDN6676B adapter)

**\*NMN1020A** Lightweight Headset with Boom Microphone to be worn on a helmet or safety glasses. Includes NKN6498A adapter cable. Requires BDN6676D adapter. FM approved.

**NKN6498A** Headset Adapter Cable for use with NMN1020A

**REX4648A** Replacement Foam Earpad and Windscreen Kit for NMN6245A

**5080574E02** Foam Earpads for use with NMN6245A, 10 per pack



NMN6245A

#### Temple Transducer



RMN4049A

The Temple Transducer represents a significant achievement in headset design and functionality. It allows the user to receive audio without covering the ear. The receiver portion of the accessory rests on the temples and it is capable of converting the receive audio from a two-way radio into sound vibration. The sound vibration is transmitted through the surrounding human tissue and bone directly into

the inner ear where it is received by the user. It features an in-line PTT and noise canceling boom microphone. The Temple Transducer enhances communications and safety by not impairing the user's hearing of external sound environment, such as from machinery and equipment, warning and fire alarms, the intercom, traffic, and even casual conversations with their co-workers.

**\*RMN4049A** Temple Transducer

### Audio Accessories

#### Medium Weight Headsets

Medium Weight Headsets offer high-clarity sound with the additional hearing protection necessary for providing consistent, clear two-way radio communications in harsh, noisy situations.

**\*NMN6258A** Medium Weight Headset, over the head with In-Line PTT, Noise Reduction Rating = 24dB

**\*NMN6259A** Medium Weight Headset, behind the head with In-Line PTT, Noise Reduction Rating = 24dB

**7580376E34** Replacement Foam Earseals, 1 pair

**1580376E32** Replacement Cloth Covers for Earseals, 1 pair

**5080548E02** Replacement Windscreen for Boom Microphone

**3280376E35** Replacement O-ring for Windscreen

**4204004K01** Replacement Adjustable Headstrap for NMN6259A

**RMN4051A** Hardhat Mount Headset mounts easily to hardhats with slots and provides 22dB of noise reduction; requires RKN4095A adapter cable, hardhat not included

**RKN4095A** Radio Adapter Cable with In-Line PTT for use with RMN4051A



NMN6258A

\* Intrinsicly safe

# JT1000 Series

## Portable Accessories

### Audio Accessories

#### Tactical Medium Weight Headsets

Same high-clarity sound and additional hearing protection as our standard medium weight headsets while including two microphones on the outside of each earcup which reproduces the ambient sound back into the headset. Harmful sounds are suppressed to a safe level and low sounds are amplified up to 5 times but never more than 82dB. Includes on/off volume control on ear cups.

**RMN4052A** Tactical Headband Style Headset, grey; provides 24dB of noise reduction and requires RKN4095A adapter cable

**RMN4053A** Tactical Hardhat Mount Headset mounts easily to hardhats with slots; provides 22dB of noise reduction and requires RKN4095A adapter cable, hardhat not included

**RKN4095A** Radio Adapter Cable with In-Line PTT for use with RMN4051A and RMN4053A

**RLN4923A** Two Replacement Snap-in Earseals; Recommended replacement interval is once every six months to ensure constant level of attenuation hygiene and comfort for RMN4051A, RMN4052A, and RMN4053A.



RMN4052A

#### Racing Headset

Motorola is the Official Wireless Equipment supplier of CART®, so whether your customers' playing field is a racetrack, construction site or other challenging environment, they can count on this Racing Headset for superior comfort and dependable operation.



RMN5015A

**RMN5015A** Racing Headset (Requires BDN6673B radio adapter cable)

### Audio Accessories

#### Heavyduty Headsets



BDN6645A  
(shown with BDN6673B)

Heavyduty headsets include noise-cancelling boom microphones and can be worn with or without a hardhat. Headsets are for use in noise levels up to 125 dB. The Push-To-Talk switch is located on the earcup. The VOX module is contained within the headset on voice activated units. Heavyduty headsets require radio adapter cable BDN6673B, to be ordered separately.

**\*BDN6645A** Push-To-Talk Headset with Boom Microphone; requires adapter cable BDN6673B; noise reduction rating=24dB



BDN6635B  
(shown with BDN6673B)

**\*BDN6635B** Voice-activated Headset with Boom Microphone; requires adapter cable BDN6673B; noise reduction rating=24dB



BDN6636B  
(shown with BDN6673B)

**\*BDN6636B** Voice-activated Headset with Throat Microphone; requires adapter cable BDN6673B; noise reduction rating=24dB

**\*BDN6673B** Radio Adapter Cable

\* Intrinsically safe

## Antennas

### Portable Antennas

#### Flexible Whip Antennas

Antenna has a one-piece finish and steel core for optimal strength and better radiation characteristics. Provides more comfort when radio is worn on the belt.

##### 8505241U05

Flexible Whip, 403-520MHz, 6"

##### 8505241U03

Flexible Whip, 806-870MHz, 7"

##### 8505241U04

Flexible Whip, 896-941MHz, 7"



8505241U05

#### Helical Antennas

Helical are sturdy and dependable for years of failsafe communication. Each antenna is designed and built to quality standards. The skirt at the base of the connector helps to seal out damaging elements. Connector is made of plated brass material for long life.

##### 8505644V01

Helical, 136-151MHz, 6"

##### 8505644V02

Helical, 151-162MHz, 6"

##### 8505644V03

Helical, 162-174MHz, 6"

##### 8505644V04

Helical, 403-435MHz, 3"

##### 8505644V05

Helical, 435-470MHz, 3"

##### 8505644V06

Helical, 470-520MHz, 3"



8505644V01



8505644V03



8505644V04

### Portable Antennas

#### Dipole Antennas

Dipole molded antennas are injection molded in lasting polyurethane. The wide skirt at the bottom of the connector protects against damaging environmental elements. The dipole antenna is ideal when strong and solid signal clarity is demanded.

##### NAF4000B

Dipole, 806-869MHz, 8"

##### 8505884R02

Dipole, 896-941MHz, 8"



NAF4000B



8505884R02

#### Wideband Antenna

Wideband antenna is ideal when radio is used in different frequencies since one antenna will cover all ranges.

**8505518V01** Wideband, 136-174MHz, 6"

#### Stubby Antenna

This quarterwave stubby antenna is ideal when radio is worn on the belt because the short antenna is non-obtrusive. This is a broadband antenna that can be used for both 800MHz and 900MHz applications.

##### 8505241U06\*

Stubby, 806-941MHz, 4"



8505241U06

#### Vehicular Antenna Kit

Allows users to convert their portable radio into a mobile application. Comes complete with mobile antenna, custom cable adapter and connector.

**RAF4001ARG** Vehicular antenna kit

### Replacement Kit

**REX4398A** 2/8/16 Channel Cosmetic Replacement Kit

\*8505241U06 is a broadband antenna that operates in the 800/900 MHz band

# JT1000 Series

## Batteries

### Portable Batteries

#### Nickel-Cadmium impres™

Part Number: **HNN9028AR**  
 Volts: 7.5  
 Avg. mAh: 1500  
 Height: 6"  
 Intrinsically Safe: No

Part Number: **HNN9029AR**  
 Volts: 7.5  
 Avg. mAh: 1500  
 Height: 6"  
 Intrinsically Safe: Yes

#### Nickel-Cadmium Premium

Part Number: **NTN7143CR**  
 Volts: 7.5  
 Avg. mAh: 1200  
 Height: 6"  
 Intrinsically Safe: No

Part Number: **NTN7144CR**  
 Volts: 7.5  
 Avg. mAh: 1400  
 Height: 6"  
 Intrinsically Safe: No

Part Number: **NTN7146AR**  
 Volts: 7.5  
 Avg. mAh: 1200  
 Height: 6"  
 Intrinsically Safe: Yes

Part Number: **NTN7147AR**  
 Volts: 7.5  
 Avg. mAh: 1300  
 Height: 6"  
 Intrinsically Safe: Yes

Part Number: **NTN7149BR**  
 Volts: 7.5  
 Avg. mAh: 1300  
 Height: 6"  
 Intrinsically Safe: No  
 CSA: Yes



NTN7143CR



NTN7147AR

### Portable Batteries

Part Number: **NTN7150AR**  
 Volts: 7.5  
 Avg. mAh: 1200  
 Height: 6"  
 Intrinsically Safe: No  
 MSHA: Yes

Part Number: **NTN7341AR**  
 Volts: 7.5  
 Avg. mAh: 1400  
 Height: 6"  
 Intrinsically Safe: Yes

Part Number: **NTN7372AR**  
 Volts: 7.5  
 Avg. mAh: 1200  
 Height: 6"  
 Intrinsically Safe: Yes

Part Number: **HNN9004AR**  
 Volts: 7.5  
 Avg. mAh: 1500  
 Height: 6"  
 Intrinsically Safe: No  
 Bluetooth™: Yes



NTN7372AR

#### Nickel Metal Hydride Premium

Part Number: **WPNN4013A**  
 Volts: 7.5  
 Avg. mAh: 2000  
 Height: 6"  
 Intrinsically Safe: No

Part Number: **WPNN4037A**  
 Volts: 7.5  
 Avg. mAh: 1900  
 Height: 6"  
 Intrinsically Safe: Yes



WPNN4013A



# JT1000 Series



## Service Aids

### Service Aids

#### Cloning Cable

Allows another radio to be duplicated from a master radio by transferring programmed data from one radio to another.

**RKN4036D** Cloning Cable

#### Radio Interface Box

Links radio programming cable and computer interface together. Provides required voltage shift to enable communications between radio and computer. Requires computer interface cable, radio test and programming cable, and 9 volt snap type battery (6082728J01), order separately.

**RLN4008E** Radio Interface Box



RLN4008E

### Service Aids

#### Computer Interface Cable

Used to connect computer's serial adapter to Radio Interface Box.

**3080369B71** Cable, RIB to 25 pin D

**3080369B72** Cable, RIB to 9 pin D



3080369B71

#### Radio Test and Programming Cable

Used with Portable Radio Test Set, RTX4005B, for transmitter, receiver alignment and performance checks. Also used in programming radio.

**RKN4035D** Radio Test and Programming Cable

#### Wall Mounted Power Supply

Used to supply power to radio interface box RLN4008E

**0180357A57** Wall Mounted Power Supply, 110 Volts

**0180358A56** Wall Mounted Power Supply, 220 Volts



0180357A57

# JT1000 Series

## Service Aids, Manuals

### Service Aids

#### Battery Eliminator

**RLN1014A** The Battery Eliminator acts like a battery with a cable to access a DC external power supply. It is ideal to inspect transmitters and receivers on incoming radios. Reverse supply polarity protection and input fuse protection are provided.



RLN1014A

#### Programming Software

Utilizing your personal computer, this software enables you to add or reprogram frequencies as your requirements change. Requires interface box and appropriate cables, must be ordered separately.

**RVN4098H** Programming Software

#### Option Boards

**NTN8313A** Analog Voice Scrambler Advantage Board, for use with HT1000 only. NOT APPROVED for installation in FM approved models.

### Manuals

<b>6881200C15</b>	HT1000/JT1000/MT2000 & MTX8000/9000 Radio Theory
<b>6881200C40</b>	HT1000/JT1000 & MT2000 Service Manual
<b>6881200C25</b>	MTX8000/9000 Service Manual
<b>6881079C50</b>	HT1000 Operator's Manual
<b>6881078C45</b>	JT1000 Operator's Manual
<b>6881076C65</b>	MT2000 Operator's Manual
<b>6881072C10</b>	MTX8000/9000 B3 Operator's Manual
<b>6881072C40</b>	MTX8000/9000 B5/B7 Operator's Manual
<b>0180305J46</b>	Ear Microphone System and Temple Transducer CD-ROM

Over 7 million customers have made MyRadioMall.com America's #1 choice when it comes to dependable and reliable Motorola Communications at fantastic prices.

We are now celebrating our 12th year of online service and the best is yet to come.



Advanced Radio Systems, Inc  
8726 NW 26 Street #6  
Miami, Florida 33172  
Voice Numbers: 305-884-1795  
Toll Free: 1-866-900-Mall (6255)  
Fax Number: 305-884-1985

12/25/2006