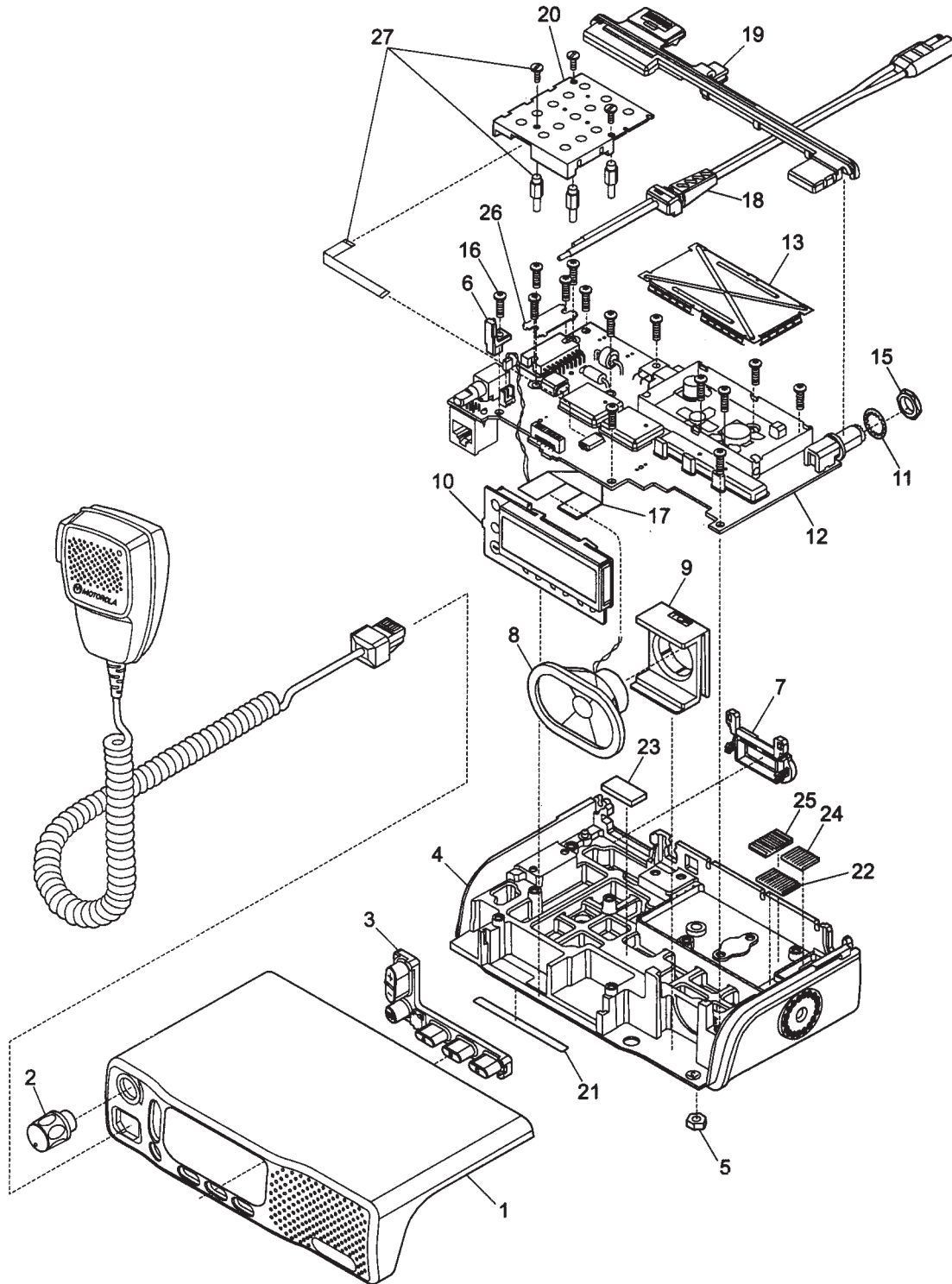


M1225 Series

Parts List



M1225 Series

Parts List

REF. NO.	PART NO.	DESCRIPTION	REF. NO.	PART NO.	DESCRIPTION
1	0180427U02	Assy, housing	15	0280477U01	Nut, Mini-U
2	3604414J02	Knob, volume control	16	0310943J11	Screw, 3mm x 10; 14 used
3	7580450U01	Keypad	17	2804431J01	Cable, folded; 10 position
4	2680448U01	Heatsink	18	3080486U01	Cable, power w/strain relief
5	0280478U01	Nut, Mini-U	19	3280484U01	Gasket, rear
6	4380587U01	Flange, right angle, PC support	20	---	Option Board Kit
7	1504501J01	Shroud, spacer, snap-on	21	---	Label, warning
8	5080442U01	Speaker, w/wire assembly	22	3204416J01	Gasket, thermal conductive pad
9	3204411J01	Grommet, speaker retaining	23	---	Pad, pullout VCO
10	HLN9644A	Assy, front panel display	24	3204416J01	Gasket, thermal conductive pad (Modified for UHF only)
11	---	Washer, lock, Mini-U	25	3204416J01	Gasket, thermal conductive pad (Modified for VHF only)
12	---	Main Board (Not field replaceable)			
13	2604420J01	Shield, PA frame cover			
14	0980476U01	Connector, antenna, Mini-U			

M1225 Series

Mobile Accessories

Microphones

Compact Microphone

HMN3001A Compact Microphone with LED Indicator, 10 foot coil cord and hang-up clip



HMN3001A

HMN3008A Compact Microphone with LED Indicator, 10 foot coil cord and hang-up clip



HMN3174B

HMN3174B Compact Microphone with TX LED Indicator, 7 foot coil cord and hang-up clip



HMN1035C

Heavy Duty Microphone

HMN1035C Heavy Duty Palm Microphone with 10.5 Foot Coil Cord

Control Station Accessories

HPN9012A 1-25 Watt Power Supply—115 V AC only (25W mobiles only—control station cable not needed)

HPN8393D Up to 45 Watt Power Supply—115/230 V AC (also used with GR300/GR400 repeaters) HKN9018A Control Station Cable—interfaces radio power cable to power supply cable (for HPN8393 only)



HPN8393D

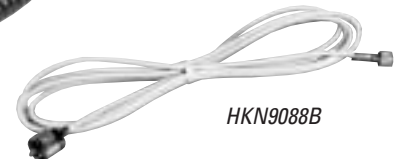
HMN3000B Desk Microphone, black

HLN9226C Mobile Holder (attaches mobile radios to the power supply)

HKN9088B Mobile Mini-U Antenna Adapter – 8 foot cable



HMN3000B



HKN9088B

M1225 Series

**Mobile
Accessories**

Microphone Accessories

HLN9559A 7 ft. Extended Coil Cord for Heavy Duty Microphones

HLN9560A 10.5 ft. Coil Cord for Microphones

HLN9073B Microphone Hang-Up Clip (all microphones)

HLN9414A Universal Hang-Up Clip (all microphones)

AAREX4617A Telephone Style Headset Kit



HLN9414A



HLN9073B

General Accessories

Cigarette Lighter Adapter

HKN9407A Cigarette Lighter Adapter – available for mobiles operating at 25W only

Installation Accessories

HKN4137A Low Power Cable to Battery

HKN9019A 16-Pin Conductor Cable—same as HKN9969 (3 foot long enhanced connectors)



HKN9327BR



HKN9327BR Ignition Switch Cable (SM50/SM120/M1225—requires HLN9242)

HKN9557A PL259/Mini-U Antenna Adapter—8" cable (not recommended for 800 MHz)



HKN9557A

2880376E84 Mini-U Connector (all bands)



2880376E84

HLN8027A Mini-UHF to BNC Adapter

HLN9242A 16-Pin Accessory Kit with Expanded Connector (kit allows existing 16-pin connector accessories to be modified for enhanced connector reliability when used with SM series or M1225 mobiles; includes 9 wires with lugs, 1 connector housing 16 crimping terminals, 2 tie straps and 1 extraction tool)

M1225 Series

Mobile Accessories

Mounting Accessories

HLN9617A Key Lock
Mounting Bracket

HLN9154A Non-Locking
Bracket (standard with SM
series and M1225 mobiles)

HLN9162A 5" Goose Neck
Mounting Bracket



HLN9227A 8" Goose Neck Mounting Bracket

HLN9179A Quick Release Mounting Bracket

HLN9228A Clam Shell Mounting Bracket

HLN9408A Goose Neck Décor Sleeve – used to cover
goose neck and wires

HLN9534A Right Angle Mini-UHF Connector



HLN9227A

HLN9573A Shorting Plug Kit for
microphone jack—used when
application calls for a deskset (covers
microphone jack)



HLN9573A

External Speaker

HSN9008A 7.5 Watt External Speaker with Accessory Connector
modified for enhanced connection reliability when used with the SM
series and which provides higher output receiver audio



HSN9008A

Public Address Accessories

HLN3145CR Public Address Kit (requires the HSN1000 accessory;
includes 2 cables for mobile connection to public address box to
speaker cables

HKN9324AR 15 Foot Public
Address/Speaker Cable (one
cable per speaker)



HKN9324AR



HSN1000B

HSN1000B 6 Watt Amplified External
Speaker for public address audio
(minimum of 1 required)

Alarm Accessories

HLN9328C External Alarm Relay Cable – horn and lights

M1225 Series

Antennas

Antennas

**Low Band
VHF**

HAD4006A VHF 1/4 Wave
Roof Mount Antenna, 136-144 MHz

HAD4007A VHF 1/4 Wave
Roof Mount Antenna, 144-152 MHz

HAD4008A VHF 1/4 Wave
Roof Mount Antenna, 150.8-162 MHz

HAD4009A VHF 1/4 Wave
Roof Mount Antenna, 162-174 MHz

HAD4014A VHF 3 dB Gain
Roof Mount Antenna,
140-174 MHz

RAD4000AMB VHF
3 dB Gain Magnetic
Mount Antenna,
140-174 MHz

Antennas

UHF

HAE4003A UHF 1/4 Wave Roof Mount Antenna,
450-470 MHz

HAE4004A UHF 1/4 Wave Roof Mount Antenna,
470-512 MHz

HAE4011A UHF 3.5 dB Gain Roof Mount Antenna,
450-470 MHz

HAE4012A UHF 3.5 dB Gain Roof Mount Antenna,
470-495 MHz

RAE4004ARB UHF 5 dB Gain Roof Mount Antenna,
450-470 MHz

RAE4004AMB UHF 5 dB Gain Magnetic Mount Antenna,
440-470 MHz



M1225 Series

Service Aids

Service Aids

Computer Interface Cable

Used to connect computer's serial port to Radio Interface Box.

3080369B71 Computer Interface Cable; RIB to 25 pin D

3080369B72 Computer Interface Cable; RIB to 9 pin D

Radio Interface Box

Links radio programming cable and computer interface together. Provides required voltage shift to enable communications between radio and computer. Requires computer interface cable, radio programming cable and a 9 volt snap type battery (6082728J01) or wall mount power supply, order separately.

RLN4008E Radio Interface Box



RLN4008E

Wall Mounted Power Supply

Used to supply power to Radio Interface Box.

0180357A57 Wall Mounted Power Supply (110 volts)

0180358A56 Wall Mounted Power Supply (220 volts)



0180357A57

Service Aids

M1225 Programming Software

This software enables you to add or reprogram the M1225 as your requirements change. Requires Radio Interface Box and proper cables; order separately.

HVN9054C Programming Software, 3-1/2" diskettes (includes RSS Getting Started Manual and storage box)

Minimum Platform Requirements:

- 80386 Microprocessor
- 4 MB of RAM
- HDD (Hard Disk Drive) 30 MB or higher
- Microsoft® Windows® 3.1 or higher
- 1.44 MB 3.5 in FDD
- Two (2) serial ports
- Mouse or trackball
- One (1) parallel (printer) port

Recommended Platform Requirements:

- 80486 Microprocessor
- 8 MB of RAM
- HDD 80 MB or higher
- Microsoft® Windows® 3.1 or higher
- 1.44 MB 3.5 in FDD
- Two (2) serial ports
- Mouse or trackball
- One (1) parallel (printer) port

Program/Test Cable

Acts as a link between RIB and radio; required to program radio.

3080070N01 Program/Test Cable

Power Supply Cable

HKN4191B Power Supply Cable, High Power (60 watt), replaces HKN9402A

HKN4137A Mobile Power Cable, Low Power (25 watt)

M1225 Series

Service Tools, Manuals

Service Tools



RSX4043A

Torque Screwdriver

Measures the amount of torque being applied. Recommended for precise radio assembly. Bits must be ordered separately.

RSX4043A Adjustable Torque Screwdriver

Crimping Tool

For installations requiring crimping of Mini-UHF connector.

6680388A26 Crimping Tool



6680388A26

Test Adapter

Used to manually key radio. Must be attached to Program/Test Cable

RLN4137A Test Adapter



RLN4137A



6680388A13

Battery Cable Adapter

6680388A13 Side Mount Battery Cable Adapter

VCO Test Cable

Interfaces mobile's RF board to test equipment for troubleshooting (not required for all mobiles.)

3080373B41 VCO Test Cable

Service Tools

Antenna Adapters

5880367B22 Mini-UHF Adapter

2880376E84 Mini-UHF Connector

HKN9088B Mini-UHF to UHF Adapter – 8 foot cable



5880367B22

Cloning Cable

HKN9755A Allows radio to be duplicated from a master radio by transferring programmed data from one radio to another.

Test Cable

0180352A01 Mini U to BNC Cable (3 ft.) Connects mobile to RF test instruments.

Manuals

6880904Z96

M1225 Service Manual

HLN9155A

M1225 Manual Kit