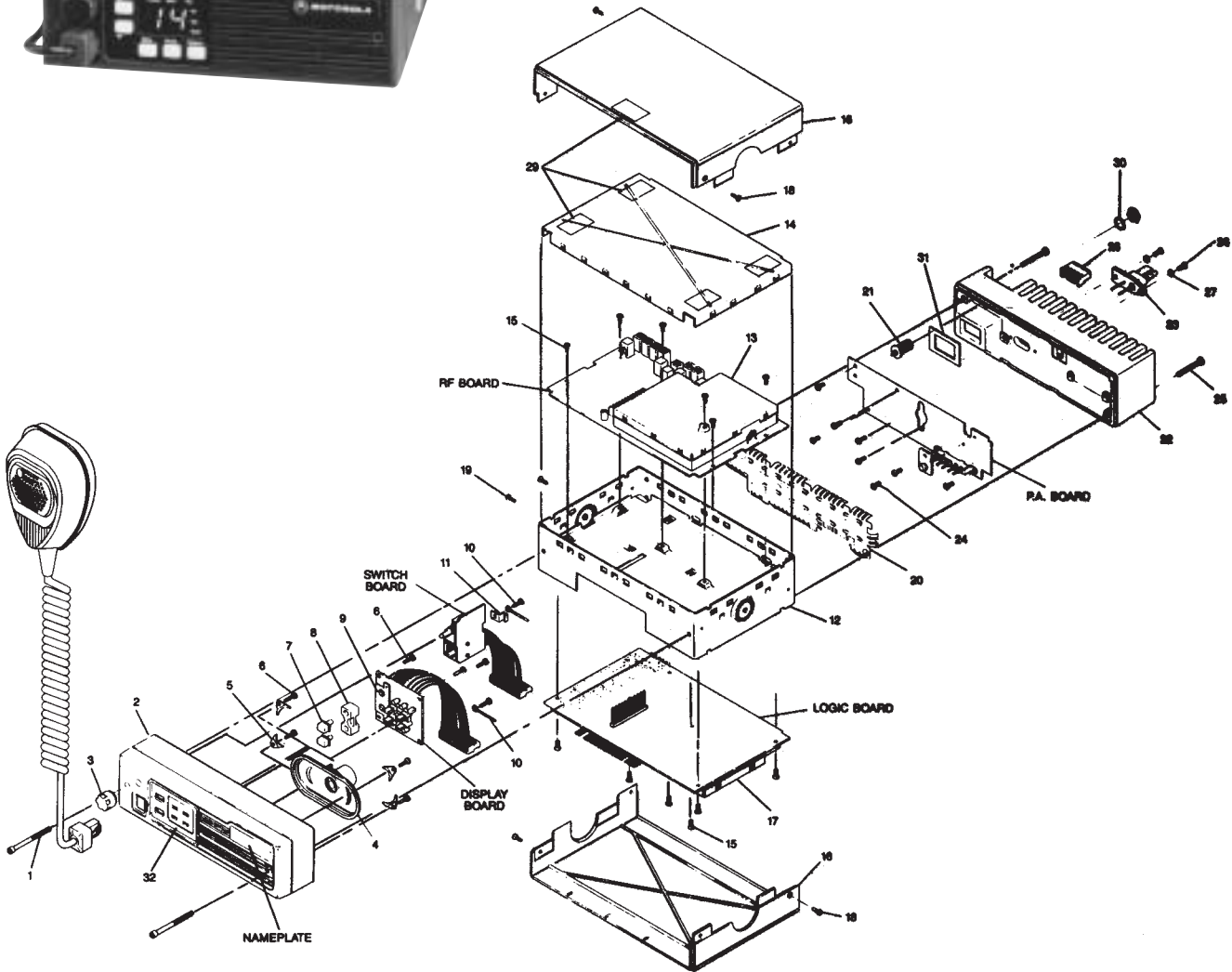


M100 Series

Parts List



M100 Series**Parts List**

REF. NO.	PART NO.	DESCRIPTION	REF. NO.	PART NO.	DESCRIPTION
-------------	----------	-------------	-------------	----------	-------------

**Cancelled Product M100:
Aftermarket support criteria has
been met for spare parts. Items
are no longer available.**

M100 Series

Mobile Accessories

Microphones



HMN1035C

Either a standard palm or DTMF palm microphone can be used with the RADIUS M100. These heavy duty palm microphones can stand up to the toughest abuse. The DTMF microphone is not compatible with the control station option.

HMN1035C Full Size Palm Microphone

HMN1037B DTMF Microphone

HMN1056D Compact Palm Microphone with Coil Cord

HMN3091B Compact Palm Microphone without Coil Cord

HLN9559A Coil Cord for Compact Microphone

Hang-up Clip

HLN4606A Heavy Duty Microphone Hang-Up Clip

HLN9073B Standard Microphone Hang-Up Clip

Speaker



HSN4019B

HSN4019B External Speaker, 5 watt

Mounting Trays

HLN5189A Non-Locking Mounting Bracket

HLN5226B Extra Stability Mount, Recommended for High Vibration Environments, Can Only Be Used with Non-Locking Mounting Bracket



HLN4426A

Cables

HKN4137A Mobile Power Cable

M100 Series

Mobile Accessories

Battery Cable Adapter

6680388A13 Side Mount Battery
Cable Adapter



6680388A13

Desk Microphone

The desk top microphone is
ideal when radio is utilized as a
base station.

HMN1038E Desk Microphone



HMN1038E

Antenna Adapter



5880367B22

5880367B22 Mini-UHF Antenna Adapter

2880376E84 Mini-UHF Connector

Base Station Tray

HLN5292BR Base Station Tray for Desk Top Operation

Power Supply

Enables mobile radio to be connected for base station operation.
Power cables must be ordered separately.

HPN4002B Power Supply, 10 amp, 120/240 Vac, 50/60 Hz
(15 and 25 watt models)

HPN4001B Power Supply, 12 amp, 120/240 Vac (35 and
40 watt models)

HKN4139A Power Cable, 10 feet

Antennas

Antennas



HAD4006A

Part Number: **HAD4006A**
Frequency: 136-144 MHz
Power: 150 watts, maximum
Gain: Unity, nominal
VSWR: Less than 1.5:1
Impedance: 50 ohms, nominal
Mounting Kit: Roof Mount with 14' RG58A/U Cable and Mini-UHF Connector

Part Number: **HAD4007A**
Frequency: 144-152 MHz
Power: 150 watts, maximum
Gain: Unity, nominal
VSWR: Less than 1.5:1
Impedance: 50 ohms, nominal
Mounting Kit: Roof Mount with 14' RG58A/U Cable and Mini-UHF Connector

Antennas



HAD4009A

Part Number: **HAD4009A**
Frequency: 162-174 MHz
Power: 150 watts, maximum
Gain: Unity, nominal
VSWR: Less than 1.5:1
Impedance: 50 ohms, nominal
Mounting Kit: Roof Mount with 14' RG58A/U Cable and Mini-UHF Connector

Part Number: **HAE4003A**
Frequency: 430-450 MHz
Power: 150 watts, maximum
Gain: Unity, nominal
VSWR: Less than 1.5:1
Impedance: 50 ohms, nominal
Mounting Kit: Roof Mount with 14' RG58A/U Cable and Mini-UHF Connector

M100 Series

Antennas

Antennas



HAE4007A

Part Number: **HAE4007A**
 Frequency: 430-450 MHz
 Power: 150 watts, maximum
 Gain: Unity, nominal
 VSWR: Less than 1.5:1
 Impedance: 50 ohms, nominal
 Mounting Kit: Trunk Lid with 17' RG58A/U Cable and Mini-UHF Connector



RAD4010ARB

Part Number: **RAD4010ARB**
 Frequency: 136-174 MHz
 Power: 150 watts, maximum
 Gain: 3dB, nominal
 VSWR: Less than 1.5:1
 Duty: Heavy
 Impedance: 50 ohms, nominal
 Mounting Kit: Roof Mount with 17' RG58A/U Cable and Mini-UHF Connector

Antennas

Part Number: **RAD4010ATB**
 Frequency: 136-174 MHz
 Power: 150 watts, maximum
 Gain: 3dB, nominal
 VSWR: Less than 1.5:1
 Duty: Heavy
 Impedance: 50 ohms, nominal
 Mounting Kit: Trunk Lid with 17' RG58A/U Cable and Mini-UHF Connector

Part Number: **RAE4014ARB**
 Frequency: 445-470 MHz
 Power: 150 watts, maximum
 Gain: 5dB, nominal
 VSWR: Less than 1.5:1
 Impedance: 50 ohms, nominal
 Mounting Kit: Roof Mount with 17' RG58A/U Cable and Mini-UHF Connector

RAE4014ARB



M100 Series

Service Tools, Aids

Service Tools

6680388A26 Crimping Tool,
Required for Mini-UHF
RF Connector



6680388A26

Service Aids

Radio Interface Box (RIB)

Links radio programming cable and computer interface together. Provides required voltage shift to enable communications between radio and computer. Requires computer interface cable, radio programming cable, and a 9 volt snap type battery (6082728J01) or wall mount power supply, order separately.



RLN4008E

RLN4008E Radio Interface Box

Service Aids

Programming Software

Utilizing your personal computer, this software enables you to add or reprogram frequencies as your requirements change. Compatible with IBM XT, AT, Model 30, 50, 60, and 80. Requires Radio Interface Box and appropriate cables; must be ordered separately.

RVN4135A This package includes six programming software disks and three manuals packaged in a single binder for the following radios:

Radio	Part Number	Disk Size	Manual
M100/M200 Series	HVN9173J	3.5"	M100/M200 Series
M110	HVN9626A	3.5" and 5.25"	
M400	HVN9774E	3.5"	M400
R100	HVN9177A	3.5" and 5.25"	R100

M100 Series

Service Aids, Manuals

Service Aids



0180357A57

Wall Mounted Power Supply

Used to supply power to the Radio Interface Box.

0180357A57 Wall Mounted Power Supply (110 volts)

0180358A56 Wall Mounted Power Supply (220 volts)

Computer Interface Cable

Used to connect computer's serial port to Radio Interface Box.

3080369B71 Computer Interface Cable. RIB to 25 pin D

3080369B72 Computer Interface Cable. RIB to 9 pin D

VCO Test Cable

Provides Interface between RF board and test equipment.

3080373B41 VCO Test Cable

Service Aids

Program/Test Cable

Required to program radio, acts as a link between Radio Interface Box and radio.

3080070N01 Program/Test Cable. Replaces HK-9217

Test Adapter

Used to manually key radio. Must be attached to Program/Test Cable 3080070N01.

RLN4137A Test Adaptor

Manuals

6880101W58

Service Manual UHF/VHF

6880900Z13

RADIUS Owner's Manual

6880101W59

Operator's Manual

6880900Z10

Quick-Call Reference Card