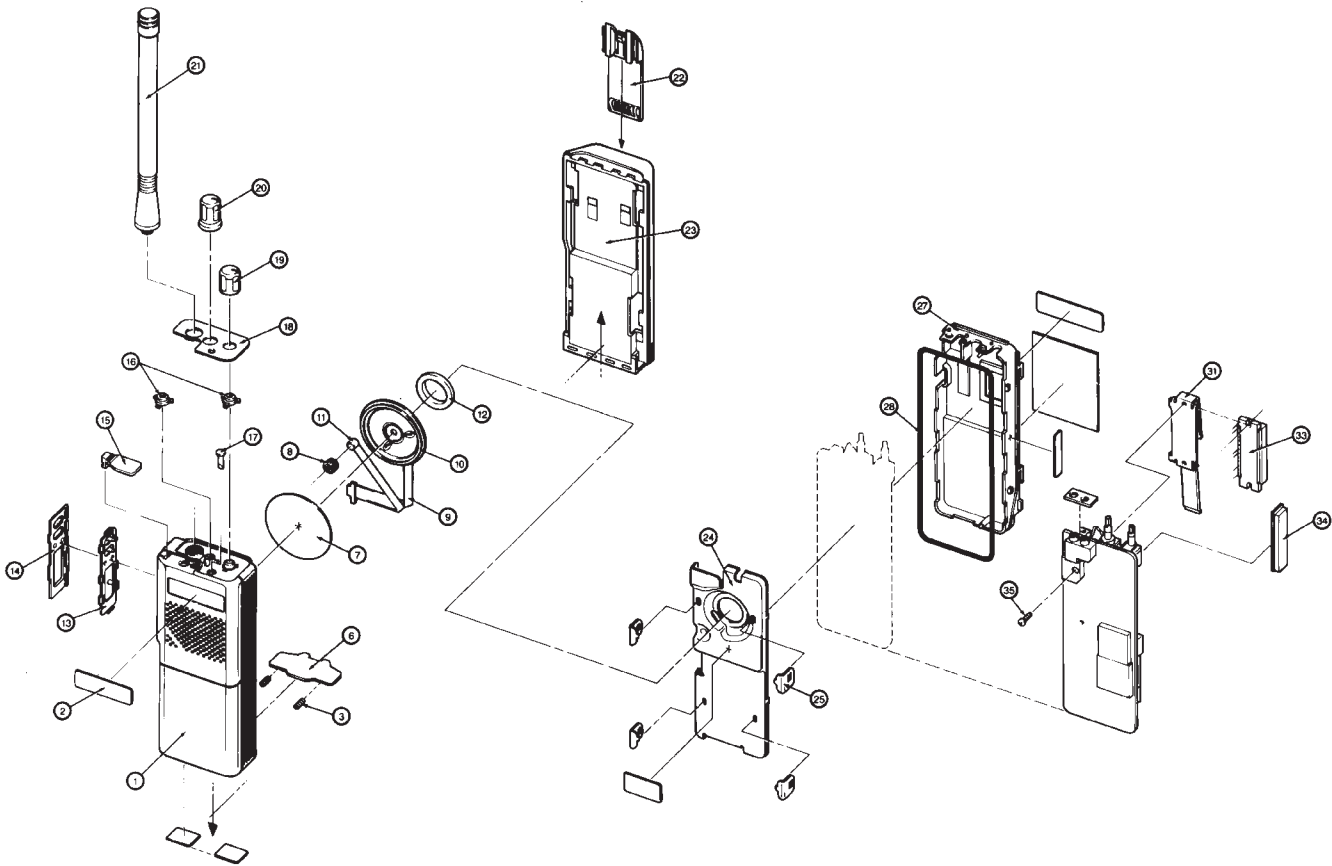


GP300 Series

Parts List



GP300 Series

Parts List

REF. NO.	PART NO.	DESCRIPTION	REF. NO.	PART NO.	DESCRIPTION
1	1580562C01	Housing, Radio	19	3680146S03	Knob, Volume
2	1380992Z03	Label, Name	20	3680147S07	Knob, Freq., 16-Position
3	4105944K01	Spring, Coil		3680147S08	Knob, Freq., 8-Position
6	5580438B01	Latch, Battery		3680147S10	Knob, Freq., 2-Position
7	3580998Z04	Felt, Speaker	21	—	Antenna – not available; see Service Manual
8	1405874T02	Boot, Mic.	22	HLN9724A	Belt Clip
9	3080560D01	Cable, Speaker/Mic.	23	—	Battery, – not available; see Service Manual
10	5005589U05	Speaker	24	2680532C01	Shield Front
11	5013920A01	Microphone Cartridge	25	4280190R04	Clip, Locking
	1405299L02	Boot	27	2780549B01	Chassis
	7505564S02	Pad	28	3280545C01	Gasket, Chassis
12	7580107A02	Pad, Speaker	31	4280126S01	Clip, P.A.
13	7580437C01	Keypad, PTT	33	—	P.A. Module
14	1380159S01	Bezel, PTT		5105385Y49	146-174 MHz
15	3880428C02	Dust Cap		5113829D03	403-440 MHz
16	3280960Y01	Seal		5105492X79	440-470 MHz
17	6180968Y01	Light Pipe	34	—	Receiver Module (for reference only)
18	1380507B02	Escutcheon, 2-Position	35	0300136783	Screw
	1380507B03	Escutcheon, 8-Position			
	1380507B04	Escutcheon, 16-Position			

Cancelled Product GP300: Aftermarket support period has been met for spare parts. Items may no longer be available.

GP300 Series

Portable Accessories

Chargers

Single unit chargers available in either desktop or compact styles for small system users. Multiple unit chargers can be wall or rack mounted and are ideal for multi-shift operations. All chargers are specifically designed to meet the requirements of batteries manufactured by Motorola. Rapid chargers charge batteries in approximately one hour. Standard chargers charge batteries in approximately 16 hours.

Single Unit Chargers, Rapid Rate

HTN9042A Single Unit, Intellicharge Rapid Charger 110 Volts

HTN9043A Single Unit, Intellicharge Rapid Charger, European Plug, 220 Volts

HTN9044A Single Unit, Intellicharge Rapid Charger, United Kingdom Plug, 240 Volts



HTN9042A

Single Unit Chargers, Standard Rate



HTN9702A

HTN9702A Single Unit, Standard Charger 110 Volts 10 hour charger



HTN9805A

HTN9804A Single Unit, Standard Charger European Plug, 220 Volts 10 hour charger

HTN9805A Single Unit, Standard Charger United Kingdom Plug, 240 Volts 10 hour charger

Chargers

Multiple Unit Chargers

They can charge up to six batteries in approximately one hour and are available in a variety of voltages for domestic and international applications.

HTN9812C Multiple Unit, One Hour Rapid Charger United Kingdom Plug, 240 Volts



HTN9060A

HTN9060A Multiple Unit, 90 minute Rapid Charger 110 Volts (NiCd and NiMH)

HTN9061A Multiple Unit, 90 minute Rapid Charger European Plug, 220 Volts (NiCd and NiMH)

HLN9293A Wall Mounting Bracket for 90 minute multi-unit charger (Use with HTN9060 and HLN9061)

HLN9944A Wall Mounting Bracket for Multiple Unit Chargers



HLN9944A

Charger Conversion Kit

HLN9113A Desktop Charger Converter Kit. Compatible with HLN8371, HTN9026 or HTN9042. Allows you to drop entire radio into desktop or spare battery charger.

Vehicular Charger

HLN9719A Vehicular Charger Adapter/Bracket, 12V. For use with HTN9042, HTN9043, HTN9044. Charger Base HTN9886, without transformer, sold separately.

GP300 Series

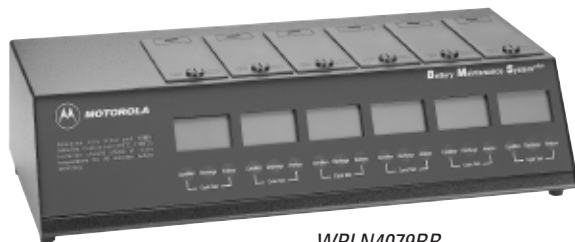
Portable Accessories

Battery Maintenance System^{plus} (BMS^{plus})

Using interchangeable battery adapters (sold separately), the BMS^{plus} is capable of charging and discharging, analyzing, conditioning and cycle testing batteries. It supports NiCd, NiMH, and Li-ion battery chemistries and tracks battery voltage and capacity (mAh). The BMS^{plus} offers a 3-year warranty. Its easy-to-use design supports hundred of 2-way, cellular, and camcorder batteries. Includes serial printer* port (RS-232)

WPLN4079BR Six-Station, 110V AC, 50/60 Hz

WPLN4080BR Six-Station, 230V AC, 50/60 Hz



WPLN4079BR

NDN4005B 3-Station, 110V AC, 50/60 Hz. Not for Li-ion or 3 cell batteries.

NDN4006B 3-Station, 230V AC, 50/60 Hz. Not for Li-ion or 3 cell batteries.

BMS^{plus} Adapters

TDN9437A Adapter, belt clip required for use with HNN9628B and HNN9710A batteries

TDN9662A Adapter, for battery without belt clip for HNN9628B

TDN9438A Adapter, for use with HNN8308A and HNN9808B batteries

WPPN4085AR BMS Field Upgrade Kit — Allows units to support Li-ion batteries. For use with WPLN4079AR, WPLN4080AR and WPLN4081AR.



TDN9437A

Motorola Conditioning Charger (MCC)

The MCC utilizes negative pulse charging technology that will help extend battery life and enhance battery operation. It will safely condition and charge your specified NiCd and NiMH batteries in approximately an hour. The MCC controls heat buildup due to its charging and termination algorithms, and maintenance mode allows batteries to be safely left on the charger for extended periods of time. And now there is an Instant Fault Detection (IFD) feature which detects faulty radio batteries in seconds, which notifies the user that

the battery will not operate at peak performance. Optional accessories are available allowing these chargers to be used in both AC and DC environments providing optimal charging flexibility.



WPPN4002BR

WPPN4002BR 110V AC Base Charge Unit only

WPPN4006AR 220V AC Base Charge Unit only

WPPN4005CR 7 Volt Adapter only

WPLN4088CR MCC Kit, 110V AC; includes both base unit and 7V adapter

WPLN4089CR MCC Kit, 220V AC; includes both base unit and 7V adapter

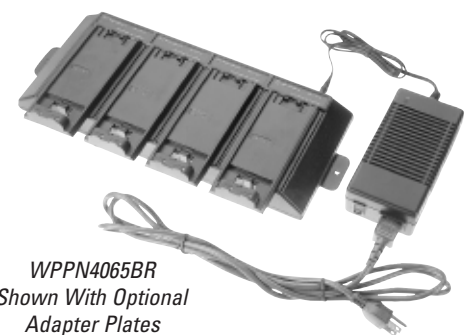
3080384G15 Cigarette Lighter Adapter Cord

RLN4814A Vehicular Mounting Bracket for Motorola single unit conditioning charger

MCC Multi-Unit Conditioning Charger

WPPN4065BR

Four-station Base, 110V. (Order adapter plates separately)



WPPN4065BR
Shown With Optional
Adapter Plates

* Compatible with the STAR Micronics SP200 Series printers (and other printers with STAR emulation); available from any STAR Micronics distributor.

GP300 Series



Portable Accessories

Motorola Conditioning Charger (MCC)

Vehicular Mounting

RLN4814A Vehicular Mounting Bracket and Hard Wire Cable for Single Unit Motorola Conditioning Chargers

3080384M21 DC Hard Wire Cable, for vehicular installation (included in RLN4814A)

Battery Optimizing System II (BOS II)



WPLN4124AR

No other battery analyzer matches the speed, accuracy, and versatility of the Battery Optimizing System II. Ideal for large fleet, public safety, and all other users who rely on their battery performance. Now with increased power, more sophisticated programming options, and easier to use navigation paths, optimizing your batteries was never easier. Key features include:

- Support for NiCd, NiMH, Li-ion, and SLA batteries
- 100 watt power supply and programmable from 100 mA to 4 amps per station
- Interchangeable adapters accommodate all major brands
- Includes a variety of user programs and allows for customizable programming
- Proprietary recondition cycle restores NiCd and NiMH batteries
- Increased processing power and testing resolution – including a three minute Quicktest that measures the batteries State of Health (SoH)
- Printer output for reports and labels
- Three year warranty

WPLN4124AR BOS II, Four-Station, 100-240V AC (US line cord)

WPLN4125AR BOS II, Four-Station, 100-240V AC (UK/Euro line cords)

BOS II Adapter

RL-71883 Standard Adapter (GP300, LTS 2000 and GTX/GTX LTR)

Vehicular Charger



RLN4833A

A great traveling companion that ensures constant communications while on the road. Allows the battery to rapid charge while using the radio. Users can receive communication immediately once the charger is disconnected, and transmit

from a previously "dead" battery in just 5 minutes. Includes voltage regulated lighter adapter, custom charger base, mounting bracket and coil cord. Ideal for public safety, utility and construction. Compatible with P1225, GP300, GTX, LTS2000, P110 radios.

RLN4833A Travel Charger

Travel Charger Mounting Bracket

RLN5914A Universal Mounting Bracket for Travel Charger, includes screws and nylon cord

Travel Charger AC Transformer

Travel Charger AC Transformer connects to the cigarette lighter adapter cord to allow it to be plugged into an AC wall outlet for indoor use.

2580600E05 120V (US)

2580600E06 230V (Euro)

2580600E07 230V (U.K.)

2580600E08 220V (Argentina)

Vehicular Charger Bracket

HLN9719A Vehicular Charger Adapter/Bracket, 12 Volts for use with Rapid Rate Chargers HTN9630A, HTN9802A, HTN9803A, HTN9167, HTN9168, HTN9169, HTN9042, HTN9043, or HTN9044



HLN9719A

GP300 Series

Portable Accessories

Vehicular Battery Eliminator

The battery eliminator helps save battery life by eliminating the need for a battery while in a vehicle. The battery eliminator operates off of a vehicle's electrical system and is ideal when a radio is frequently used in a vehicle.

HKN8036B Battery Eliminator

6580379E53 3 Amp Mini Blade Fuse Replacement for HKN8036



HKN8036B

Housing Kits

HLN3002A 2-Channel Housing Kit with Speaker and Flex

HLN3003A 8-Channel Housing Kit with Speaker and Flex

HLN3169A 16-Channel Housing Kit with Speaker and Flex

Conversion Kit

HLN9578A 25kHz to 12.5kHz conversion kit for GP300 and GP350

Carrying Accessories

Carrying Cases

A variety of carrying accessories are available for your comfort and convenience. The carrying cases are available in sizes designed to fit your radio & battery and permit audio to be heard clearly.

Nylon Carrying Cases

HLN9750B Nylon Carrying Case with Belt Loop

HLN9017A Nylon Carrying Case for fully approved FM 1200 mAh battery

HLN9416A Nylon Carrying Case with Belt Loop



HLN9750B

Leather Carrying Cases

HLN9873A Standard Leather Carrying Case with Swivel and D-Rings (for use with shoulder strap)

HLN9720A Standard Leather Carrying Case with Belt Loop and D-Rings (for use with shoulder strap)

HLN9008A Leather Case with Belt Loop for fully approved FM 1200 mAh battery and D-Rings (for use with shoulder strap)

HLN9009A Leather Case with Swivel for fully approved FM 1200 mAh battery and D-Rings (for use with shoulder strap)



HLN9873A

GP300 Series



Portable Accessories

Carrying Accessories

DTMF Carrying Cases

HLN9970A DTMF Standard Leather Carrying Case with Belt Loop and D-Rings (use with shoulder strap)

HLN8411A DTMF Leather Carrying Case with Swivel and D-Rings (use with shoulder strap)

HLN9011A DTMF Leather Carrying Case with Swivel – fully approved FM 1200 mAh battery and D-Rings (use with shoulder strap)

Belt Clips

HLN9724A 2-1/2" Belt Clip

HLN8255B 3" Spring Action Belt Clip

NTN5533A Replacement Belt Clip 3"

Belt

4200865599 1.75" wide leather belt for all models



HLN9149AR

Swiveller

TDN1002A Swiveller; includes holster, belt and strap

HLN9149AR Swivel Belt Loop Adapter (GP300 – for use with HLN9720, HLN9721, HLN9750, HLN9011, HLN9970 carrying cases)

NTN8040B 3" Swivel Belt Loop

TDN1003A Replacement/Spare Swiveller Button

Carrying Holder

HLN9076B Molded Carrying Holder with 3" Spring Action Belt Clip

HLN8414A Chest Pack Carrying Holder

HLN9985B Waterproof Bag, includes large Carrying strap



HLN9076B

HLN8414A

Carrying Accessories

Wrist Strap

HLN8052A Wrist Strap

Carry Strap

NTN5243A Shoulder Carrying Strap (GP300—use with leather carrying cases with D-Rings and nylon cases with HLN9149AR)



NTN5243A

Straps

HLN9084A Replacement Strap for molded carrying holder – HLN9076

HLN9973A Replacement Strap for nylon and leather carrying cases (GP300 – for leather carrying case)

HLN9975A Replacement Strap for DTMF leather carrying case (HLN8411, HLN9970, and HLN9011)

HLN9974B Replacement Strap for carrying cases (GP300 – for leather carrying case)



HLN9974B

Chest Pack

Carry the radio mounted on chest with adjustable straps over shoulders and around waist.



HLN6602A

HLN6602A Universal Chest Pack with Radio Holder, Pen Holder and Velcro Secured Pouch

1505596Z02 Replacement Strap for HLN6602A

GP300 Series

Portable Accessories

Carrying Accessories

Break-A-Way Chest Pack

All of the same features as the original chest pack (HLN6602A) plus break-a-way tabs that allow the entire pack to be pulled off with approximately 10 lbs. of pressure. Perfect for railroads, manufacturing locations, construction sites and anywhere safety is a concern.

RLN4570A Break-A-Way Chest Pack



RLN4570A



RadioPAK™

RLN4815A Universal RadioPAK™ with Radio Holder. Worn around waist with adjustable belt. Includes attached 6" by 8" zippered pouch for other job necessities.

4280384F89 Universal RadioPAK™ belt lengthener; fits waists larger than 40"

RLN4815A

Vehicular Holder

The portable radio holder slides over and hangs from the door panel in a vehicle. The radio's belt clip slides onto the portable hanger allowing convenient, easy mounting. Two sizes are available to fit door panels.

TDN9327A Portable Radio Hanger for door panels up to 2.75"

TDN9373A Portable Radio Hanger for door panels up to 3.25"



TDN9327A

Miscellaneous Carrying Accessories

RLN4943A Universal Holder with Gooseneck Bracket provides flexible mounting solutions for portable radios

RLN4945A Universal Holder with Gooseneck Bracket and Wheelchair Quick Release Assembly

Audio Accessories

Remote Speaker Microphone (RSM)

Allows you to talk and listen without removing the radio from the belt, case or charger. Ideal for high noise level environments. This water resistant compact unit has a coiled cord, PTT switch and back cover clip.

***HMN9030A** Remote Speaker Microphone with coil cord and clothing clip on the back cover.



HMN9030A

RSM Accessories

HKN9094A Replacement cord for HMN9030A

4205823V01 Belt Clip

Epaulet Strap

Black leather epaulet straps secure remote speaker microphones to epaulet of shirts or jackets and attach around cord or back of microphone.

RLN4294A Epaulet Strap, Velcro

RLN4295A Epaulet Strap, Small Clip

MicJackets

The MicJackets provide protections to the "head" of the remote speaker microphone. MicJackets are ideal for environments where the user's remote speaker microphone is exposed to dust, dirt and metal particles.

RLN4904A MicJacket Kit (compatible with microphones HMN9275 and HMN9030)

* Intrinsicly safe

GP300 Series



Portable Accessories

Audio Accessories

Surveillance Kits

Surveillance accessories allow the user to privately receive communications with the earpiece and are ideal when environments require discrete communications.

***HMN9727B** Receive-Only Surveillance Kit, beige (single-wire)

RLN4894A Receive-Only Surveillance Kit, black (single-wire)



HMN9752B

***HMN9752B** Receive-Only Surveillance Kit with Volume Control, beige (single-wire),

***HMN9754D** Two-Wire Surveillance Kit with Microphone and Push-To-Talk Combined, beige



HMN9754D

RLN4895A Two-Wire Surveillance Kit with Microphone and Push-To-Talk Combined, black

Surveillance Kits with Extended Wear Earpiece

These kits include a comfort earpiece with a rubber ear tip and a clear comfortable acoustic tube. Users can hear transmissions clearly, while the clear tube provides a discreet appearance.

RLN5317A Comfort earpiece with combined microphone and push-to-talk; beige (2-wire kit)

RLN5318A Comfort earpiece with combined microphone and push-to-talk; black (2-wire kit)

Replacement Items

5080369E40 Earloop, Plastic, Beige

5080370E92 Earloop, Plastic, Black

5880377E06 Plastic Earloop Adapter

5080369E38 Standard Earpiece Assembly (includes Earphone, Earloop, and Eartip), Beige

5080370E90 Standard Earpiece Assembly (includes Earphone, Earloop, and Eartip), Black

5080386B90 Ear Insert Tips, Pack of 25

Audio Accessories

Completely Discrete Earpiece

Enables users to communicate with ease, in full privacy, without visible equipment. This miniaturized receiver is discretely hidden in ear, where it fits comfortably for long periods at a time. Small as it is, it offers a full range of audio functions including automatic squelch, automatic gain control and noise filtering. Average battery life is approximately 100 hours and includes an end-of-life battery circuit generating a warning signal when the battery needs to be changed.

Kit includes wireless receiver plus an inductive neckloop. Just remove the earpiece on any standard 2- or 3-wire Motorola surveillance kit (sold separately) and plug in the neckloop to use. Kit includes 6 spare batteries and 5 replacement ear wax guards.



RLN4922A

RLN4922A Completely Discrete Earpiece Kit

Replacement Items

RLN4919A Ear Wax Guards, 5 per pack

RNN4005A 1.4 Volt Battery, 6 per pack

Pellet Style Earpieces

The Pellet Style Earpiece allows the user to receive communications discreetly and is comfortable for extended wear.

HMN9036A Earbud with Clip Microphone and PTT

HLN9132A Receive-Only Earbud

PMMN4001 Ultra-Light Earpiece with Boom Microphone and In-Line PTT. GP350 requires Audio Adapter HLN9482.

**Intrinsically safe*

GP300 Series

Portable Accessories

Audio Accessories

Noise Kits

Lightweight translucent tube attaches to Motorola surveillance accessories. Clothing clip prevents the accessory from being pulled from the ear due to body movement or head rotation.

NTN8370A Extreme Noise Kit, includes 2 foam earplugs for loud environments, provides 24dB noise protection

NTN8371A Low Noise Kit, includes rubber eartip for low noise environments

5080384F72 Replacement Foam Plugs; pack of 50 (for use with NTN8370A)

5080370E97 Standard Rubber Eartips, Pack of 25 (for use with NTN8371A), Clear

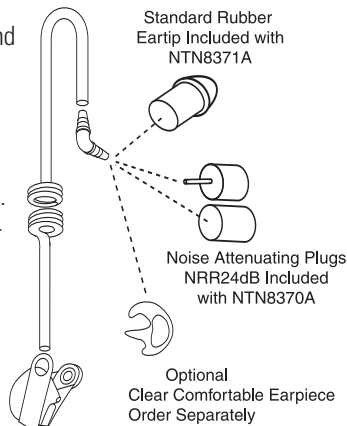


NTN8370A

Clear Comfortable Earpiece

The clear comfortable earpiece forms to the inside of your ear and is perfect for low noise environments. Compatible with the NTN8371A, clear acoustic tube assembly, and most surveillance kits (1, 2 and 3 wire). This earpiece is made of easy-to-clean chemically inert, hypoallergenic material. There are 3 items needed to make this product work:

1. Clear Comfortable Earpiece
2. Clear Acoustic Tube Assembly (NTN8371A)
3. Surveillance Kits



Acoustic Tube with Earphone

RLN4763A Small Custom Earpiece, left ear

RLN4761A Medium Custom Earpiece, right ear

RLN4764A Medium Custom Earpiece, left ear

RLN4762A Large Custom Earpiece, right ear

RLN4765A Large Custom Earpiece, left ear

Audio Accessories

Ear Microphone System (EMS)

This compact unit picks up the voice through bone vibrations in the ear canal. The miniature earpiece leaves the hands free and face unobscured when worn by rescue and hazard protection personnel, who still retain the ability for direct hearing and speaking. For personnel required to wear breathing apparatus, communications with protective masks are as clear as communications without. And its high speech clarity under noisy environments makes it ideal for high noise environments. Available in PTT or Voice Activated (VOX).

***BDN6646C** Ear Microphone for standard noise levels (up to 95dB) with Push-To-Talk interface, (HLN8096 security clamp is recommended and must be ordered separately)

***BDN6706B** Ear Microphone for standard noise levels (up to 95dB) with Push-To-Talk/voice-activated interface module, (HLN8096 security clamp is recommended and must be ordered separately)



BDN6646C

Ear Microphone System (EMS) Accessories

5080371E73 Rubber Ear Inserts for single wire and two wire earpieces – quantity 25

***0180358B38** Finger Push-To-Talk Switch for ear microphone system

0180300E83 Body Switch Push-To-Talk for ear microphone system



0180358B38



0180358B33

0180358B32 Earholder, Black, Size Small

0180358B33 Earholder, Black, Size Medium

0180358B34 Earholder, Black, Size Large

0180358B35 Earholder, Clear, Size Small

0180358B36 Earholder, Clear, Size Medium

0180358B37 Earholder, Clear, Size Large

4280369E44 Replaceable Belt clip with Screws

* Intrinsicly safe

GP300 Series



Portable Accessories

Audio Accessories

5080358B28 Eartips, Black, Size Medium (10 per pack)

5080358B29 Eartips, Black, Size Large (10 per pack)

5080358B30 Eartips, Beige, Size Medium (10 per pack)

5080358B31 Eartips, Beige, Size Large (10 per pack)

HLN8096A Audio Accessory Security Clamp

Flexible Ear Receiver

BDN6720A Flexible Ear Receiver – earpiece without volume control (flexible earloop and speaker which rests external to ear), (HLN8096 security clamp is recommended and must be ordered separately)

7580372E11 Replacement Foam Ear Cushion for BDN6720, BDN6717 and BDN6719

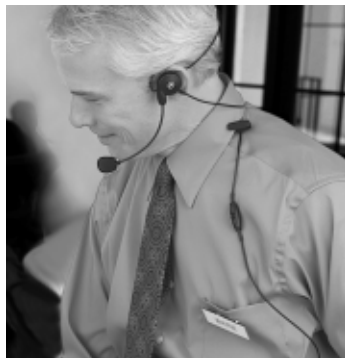
Add-On Retrofit Kits

***HLN3748A** DTMF Retrofit for 16 channel models (applicable on shipments after 3/15/92); Factory Mutual Approved radios must be returned to the depot for retrofitting

Ultra-Light Headset

Designed with a sleek new look that fits right in with Restaurant and Hospitality industries. Lightweight, behind-the-head style design provides comfort and mobility. Includes flexible boom microphone and in-line Push-To-Talk button.

***RLN5411A** Ultra-light Headset



RLN5411A

Audio Accessories

Lightweight Headset

RMN4016A Lightweight Single Muff Adjustable Headset with Swivel Boom Microphone and in-line PTT button

***HMN9013B** Lightweight Single Muff Adjustable Headset with Swivel Boom Microphone

REX4648A Replacement Foam Earpad and Windscreen Kit for RMN4016A and HMN9013A

***HMN9787D** Headset with Swivel Boom Microphone



HMN9013B

Medium Weight Headsets

***HMN9021A** Medium Weight Dual Muff Headset, over the head noise reduction rating = 24dB (HLN8096 security clamp recommended ordered separately)

***HMN9022A** Medium Weight Dual Muff Headset, behind the head (can be worn with helmet); noise reduction rating = 24dB (HLN8096 security clamp recommended ordered separately)

Replacement Parts for HMN9021A and HMN9022A

7580376E34 Replacement Foam Earseals (1 pair)

1580376E32 Replacement Cloth Cover for Earseals (1 pair)

5080548E02 Replacement Windscreen for Boom Microphone

3280376E35 Replacement O-ring for windscreen

3080384L77 Replacement Cable

4204004K01 Replacement Adjustable Headstrap for HMN9022A

BDN6647G Medium Weight Single Speaker Headset with Boom Microphone (HLN8096 security clamp recommended – order separately-comp with Internal VOX)

5080371E66 Replacement Earpad for BDN6647

3580371E59 Replacement Windscreen (for boom microphone) for use with BDN6647

* Intrinsicly safe

GP300 Series

Portable Accessories

Audio Accessories

Noise-Canceling Headsets with Boom Microphone

Ideal for two-way communication in extremely noisy environments. Dual-muff tactical headsets include two microphones on the outside of the earcups which reproduce the ambient sound back into the headset. Harmful sounds are suppressed to a safe level and low sounds are amplified up to 5 times the original level, but never more than 82dB(A). Includes on/off volume control on earcups and 3-foot curly cord. Easily replaceable earseals are filled with liquid and foam combination to provide excellent sealing and comfort. Requires separate in-line PTT adapter cable RKN4094A. Hardhat not included.



RMN4053B

RMN4052B Tactical Headband Style Headset, grey; noise reduction rating of 24dB

RMN4053B Tactical Hardhat Mount Headset, grey; noise reduction rating of 22dB

Hardhat Mount Headset with Noise-Canceling Boom Microphone



RMN4051B

Ideal for two-way communication in high-noise environments; mounts easily to hardhats with slots, excellent noise reduction of 22dB. Easily replaceable earseals are filled with liquid and foam combination to provide excellent sealing and comfort. 3-foot curly cord assembly. Requires separate in-line PTT adapter cable RKN4094A. Hardhat not included.

RMN4051B Two-Way Hardhat Mount Headset, black

Adapter Cables

RKN4094A In-Line PTT Adapter Cable. For use with RMN4051, RMN4052, and RMN4053.

Replacement Earseals for Headsets

RLN4923B Includes Two Replacement Snap-In Earseals; recommended replacement interval is once every six months to ensure constant level of attenuation, hygiene and comfort. For use with RMN4051, RMN4052, and RMN4053.



Audio Accessories

Heavy Duty Headset

***BDN6648C** Heavy Duty Headset with Noise Cancelling Boom Microphone, noise reduction rating = 24dB

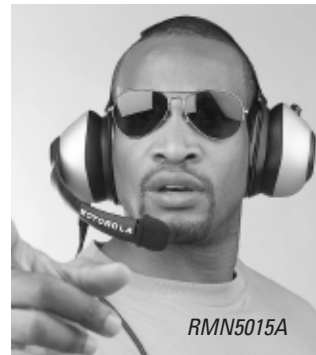
RMN5047A NFL® Style Heavy-Duty Headset.



BDN6648C

Racing Headset for Two-Way Radios

Motorola is the Official Wireless Equipment supplier of CART®, so whether your customer's playing field is a racetrack, construction site or other challenging environment, they can count on this Racing Headset for superior comfort and dependable operation.



RMN5015A

RMN5015A Racing Headset for two-way radios (adapter cable required)

RKN4090A Adapter Cable

NFL Style Lightweight Headset

This single-muff headset takes its styling cue from the Motorola headsets used by the NFL coaches in football stadiums around the country. Ergonomically-designed for all-day comfort, it's ideal for both sports and special events. Features a noise cancelling boom microphone and in-line Push-To-Talk. Large Motorola logo adds a sporty appearance.

RLN5238B NFL Style Lightweight Headset



RLN5238B

* Intrinsically safe

GP300 Series

Portable Antennas, Batteries



Portable Antennas

Heliflex

Motorola Heliflex antennas are specifically engineered for maximum output and greatest communication coverage.

HAD9338AR VHF Heliflex,
136-150.8 MHz, 6"

NAD6502AR VHF Heliflex,
146-174 MHz, 6"

8505816K24 Heliflex Stubby,
403-430 MHz, 3"

NAE6522AR Stubby,
438-470 MHz, 3"

8505816K26 Heliflex Stubby,
470-512 MHz, 3"



Flexible Whip

Flexible whip antennas have a one-piece finish and steel core for optimal radiation characteristics. Provides more comfort when radio is worn on the belt.

NAE6483AR Flexible Whip, 403-520 MHz, 6"

Tunable VHF

HAD9728B VHF Kit,
136-174 MHz, 6"



Stubby

Stubby antennas are ideal when the radio is worn on the belt because the short antenna is non-obtrusive.

HAD9742A Stubby,
146-162 MHz, 3"

HAD9743A Stubby,
162-174 MHz, 3"



Portable Batteries

Nickel-Cadmium Premium

Part Number: **HNN8133C**

Volts: 7.5

Avg. mAh: 1200

Height: 5-1/2"

Intrinsically Safe: Yes

Part Number: **HNN9628B**

Volts: 7.5

Avg. mAh: 1200

Height: 5-1/2"

Intrinsically Safe: No

Part Number: **HNN9701A**

Volts: 7.5

Avg. mAh: 1100

Height: 5-1/2"

Intrinsically Safe: Yes

Part Number: **HNN9808B**

Volts: 7.5

Avg. mAh: 600

Height: 5-1/2"

Intrinsically Safe: Yes

Slim: Yes

Nickel-Cadmium Power

Part Number: **WPNN4044AR**

Volts: 7.5

Avg. mAh: 1000

Height: 5-1/2"

Intrinsically Safe: No

GP300 Series



Service Aids,
Software,
Manuals

Service Aids



5885705M02

Adapters

5885705M02 Remote BNC-RF Adapter, For Use With GP300 Only

5880384G68 SMA to BNC Adapter

Radio Interface Box

Links radio programming cable and computer interface together. Provides required voltage shift to enable communications between radio and computer. Requires computer interface cable, radio test and programming cable, and 9 volt snap type battery (6008278J01), order separately.

RLN4008E Radio Interface Box



RLN4008E

Computer Interface Cable

Used to connect computer's serial port to Radio Interface Box.



3080369B71

3080369B71 Cable, RIB to 25 pin D

3080369B72 Cable, Rib to 9 pin D

Programming Cable

Connects radio interface box to radio for programming.

HKN9857A Radio Programming Cable

Cloning Cable

HKN9755A Allows the radio to be duplicated from a master radio by transferring programmed data from one radio to another.

Service Aids

Test Set Cable

RKN4034A Connects radio to RTX4005 Test Box

Wall Mounted Power Supply

Used to supply power to radio interface box, RLN4008E

0180357A57 Wall Mounted Power Supply, 110 Volts

0180358A56 Wall Mounted Power Supply, 220 Volts



0180357A57

Cross Connect Adapter (CCA)

HKKN4003A Cat-5 Crossover Cable, 6'

HKLN4126A CCA Adapter for CP300, P1225, SP50

Software

Programming Software

Utilizing your personal computer, this software enables you to add/or reprogram frequencies as your requirements change. Requires Radio Interface Box and proper cables, order separately.

HVN9128D Programming Software, 3-1/2" diskettes (includes manual and storage box)

Manual

6880901Z93

Service Manual



Over 7 million customers have made MyRadioMall.com America's #1 choice when it comes to dependable and reliable Motorola Communications at fantastic prices.

We are now celebrating our 12th year of online service and the best is yet to come.



Advanced Radio Systems, Inc
8726 NW 26 Street #6
Miami, Florida 33172
Voice Numbers: 305-884-1795
Toll Free: 1-866-900-Mall (6255)
Fax Number: 305-884-1985

12/25/2006