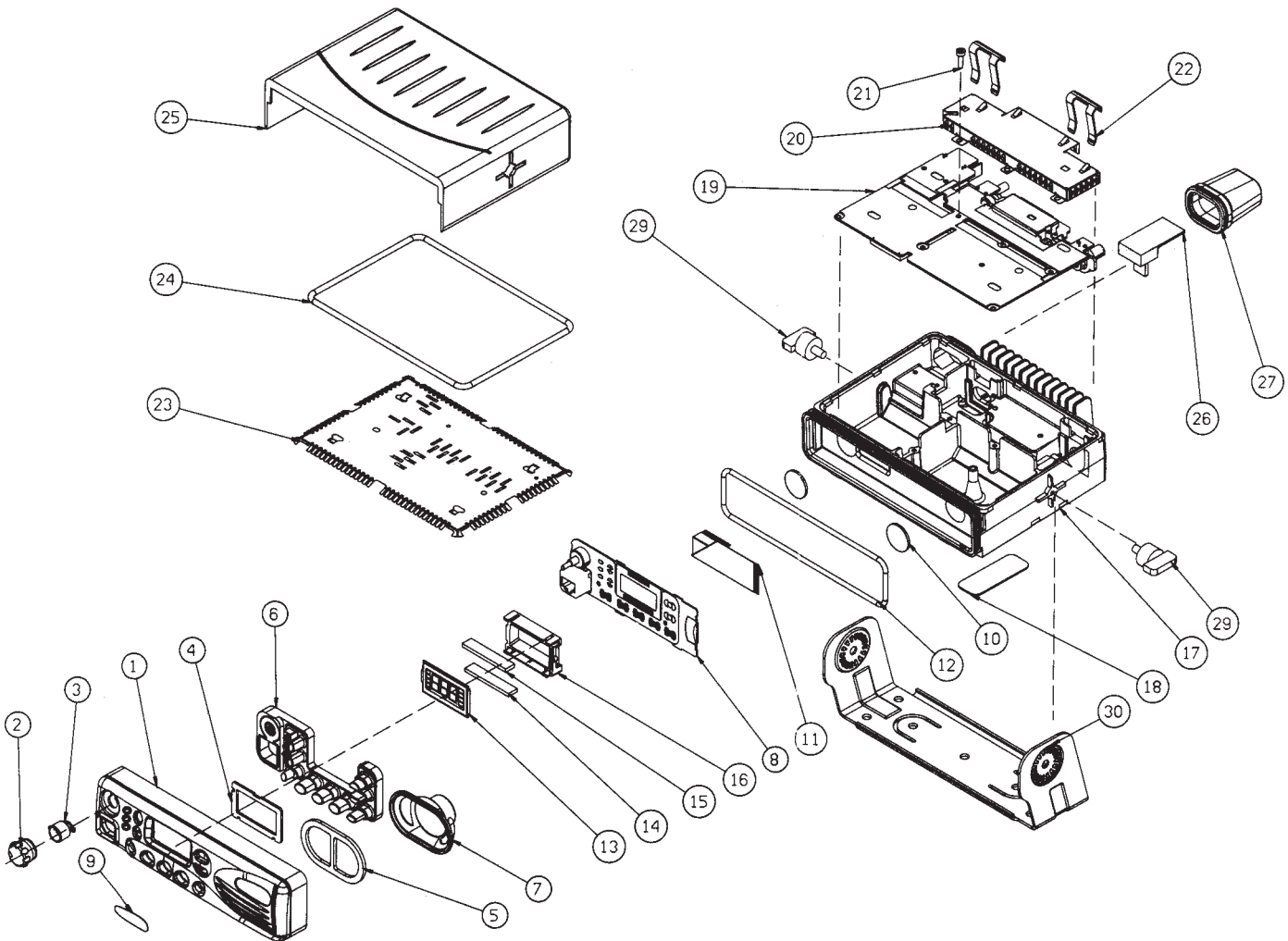


# LCS2000 Series

## Parts List



# LCS2000 Series

## Parts List

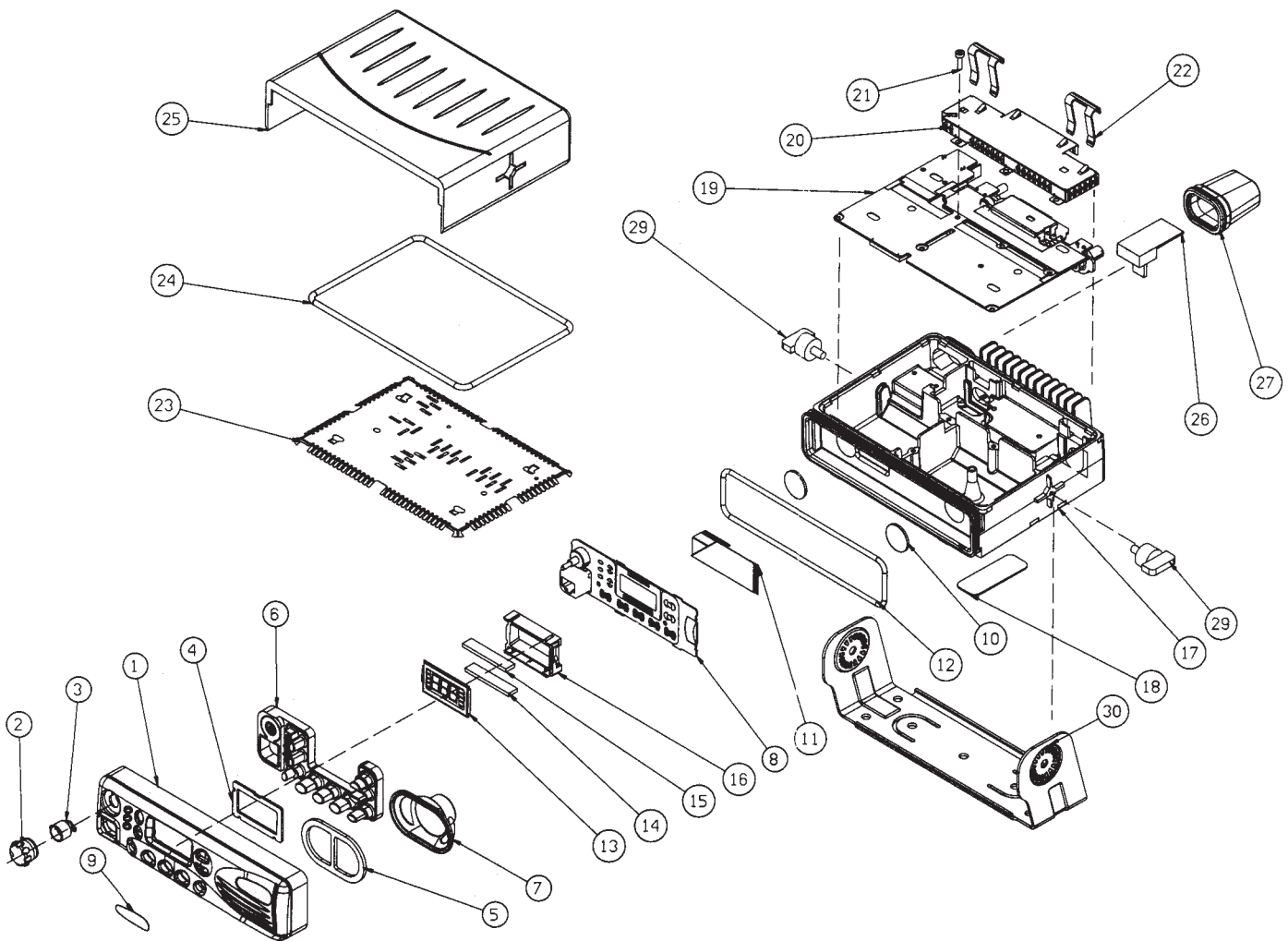
### 800 MHz

REF. NO.	PART NO.	DESCRIPTION	REF. NO.	PART NO.	DESCRIPTION
1	<b>0102706K90</b>	Housing	17	<b>2780354K01</b>	Chassis
2	<b>3605422W02</b>	Volume knob, exterior	18*	---	Label, FCC
3	<b>3608147K01</b>	Volume knob, interior	19	<b>FLF5582A</b>	Main Board
4	<b>3280511L01</b>	Gasket, LCD frame	20	<b>2680519K01</b>	Shield, PA
5	<b>3205932V02</b>	Gasket, speaker	21	<b>0310907A20</b>	Screw, mechanical, M3 x 0.5 x 10
6	<b>7580359K01</b>	Keypad	22	<b>4205938V01</b>	Spring, clip
7	<b>5002236P05</b>	Speaker	23	<b>2680439K01</b>	Shield, cover
8	<b>HCN3018</b>	Board, control head	24	<b>3202619Y01</b>	Pad
9	<b>5480643K01</b>	Label, logo	25	<b>1580355K01</b>	Assembly, cover
10	<b>3280494K01</b>	Pad, speaker	26	<b>0102705K33</b>	Accessory Kit
11	<b>8402618Y01</b>	Circuit, flexible	27	<b>3202606Y01</b>	Gasket, accessory connector
12	<b>3202620Y01</b>	Gasket, control head	29	<b>0302637Y01</b>	Screw, wing
13	<b>7202631Y01</b>	Display, LCD	30	<b>GLN7317A</b>	Trunnion Kit incl. Item 29, Trunnion and mounting screws
14	<b>2802638Y01</b>	Connector			
15	<b>2802638Y04</b>	Connector			
16	<b>0702643Y01</b>	Frame, LCD			

\* Not field replaceable

# LCS2000 Series

## Parts List



# LCS2000 Series

## Parts List

### 900 MHz

REF. NO.	PART NO.	DESCRIPTION	REF. NO.	PART NO.	DESCRIPTION
1**	<b>0102706K90</b>	Housing	18*	---	Label, FCC
2	<b>3605422W02</b>	Knob, exterior volume	19	<b>FLF5588A</b>	Main Board
3	<b>3608147K01</b>	Knob, interior volume	20	<b>2680519K01</b>	Shield, PA
4**	<b>3280511L01</b>	Gasket, LCD frame	21	<b>0310907A20</b>	Screw, mechanical, M3 x 0.5 x 10
5	<b>3205932V01</b>	Gasket, speaker	22	<b>4205938V01</b>	Spring, clip
6	<b>7580359K01</b>	Keypad	23	<b>2680439K01</b>	Shield, cover
7	<b>5002236P05</b>	Speaker	24	<b>3202619Y01</b>	Pad
8	<b>FCN1630</b>	Board, control head	25	<b>1580355K01</b>	Assembly, cover
9	<b>5480643K01</b>	Label, logo	26	<b>0102705K33</b>	Accessory Kit
10	<b>3280494K01</b>	Pad, speaker	27	<b>3202606Y01</b>	Gasket, accessory connector
11	<b>8402618Y01</b>	Circuit, flexible	29	<b>0302637Y01</b>	Screw, wing
12	<b>3202620Y01</b>	Gasket, control head	30	<b>GLN7317</b>	Trunnion Kit incl. Item 29, Trunnion and mounting screws
13	<b>7202631Y01</b>	Display, LCD			
14	<b>2802638Y03</b>	Connector, Zebra			
15	<b>2802638Y04</b>	Connector, Zebra			
16	<b>0702643Y01</b>	Frame, LCD			
17	<b>2780354K01</b>	Chassis			

\* Not field replaceable

\*\* Reference Symbol Nos. 1 & 4 will bear one part No. 0102706K91

## **GTX/LCS2000 Series**

## **Mobile Accessories**

### **Microphones**



**HMN3220B** Standard Compact Microphone

**HMN1035C** Full Size Palm Microphone

**HMN3013A** Non-Backlit Full Size DTMF Microphone

*HMN1035C*

### **Speakers**

Provides audio for high ambient noise environments.

**FSN5510A** 7.5W External Speaker



*FSN5510A*

### **Control Station**

Converts the mobile radio for desktop use for dispatch purposes.

**HLN3067B** Low Power Control Station Package, includes: adapter cable, base tray, black desk mic, and power supply

### **Control Station Accessories**

**HPN4002B** Control Station Power Supply



*HPN4002B*

**HLN6405A** Base Station Tray

**HMN3000B** Desk Microphone

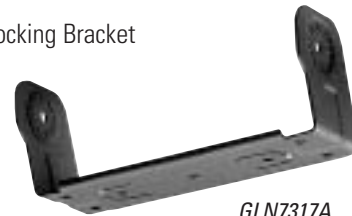
**HKN9088B** Adapter Cable



*HMN3000B*

### **Mounting Brackets**

**GLN7317A** Non-locking Bracket



*GLN7317A*

**GTX/LCS2000 Series**

**Accessories,  
Antennas**

**Cables**

**GKN6270A** Standard Power Cable

**GKN6271A** Ignition Switch Cable

**Alarms**

**GKN6272AR** External Alarm Relay Cable Kit

**GLN7323A** Emergency Foot Switch

**Antenna Adapters**

**HKN9557A** Mini UHF to UHF Adapter Cable

**2880376E84** Mini UHF Antenna Connector



**Antennas**

**800 MHz**

**HAF4002A** 1/4 Wave, roof top (806-900 MHz)

**RRA4914A** 3dB, roof top, stainless steel (806-900 MHz)

**RRA4990A** 3dB, roof top, black chrome (806-900 MHz)

**RRA4983A** 3dB, roof top, low loss, stainless steel (806-900 MHz)

**RRA4986A** 3dB, roof top, low loss, black chrome (806-900 MHz)

**900 MHz**

**RRA4935A** 3dB, roof top with 14ft. cable (890-960 MHz)

**RAF4003ARM** 3dB, roof top with 22ft. cable (890-960 MHz)



## Service Aids

### Service Aids

#### Radio Interface Box

Links radio programming cable and computer interface together. Provides required voltage shift to enable communications between radio and computer. Requires computer interface cable, radio programming cable, and a 9 volt snap type battery (6082728J01) or wall mount power supply, order separately.



RLN4008E

**RLN4008E** Radio Interface Box

#### Wall Mount Power Supply



0180357A57

Used to supply power to Radio Interface Box.

**0180357A57** Wall Mounted Power Supply (110 volts)

**0180358A56** Wall Mounted Power Supply(220 volts)

#### Program/Test Cable

**3080070N01** Required to program radio; acts as a link between Radio Interface Box and radio.

### Service Aids

#### Computer Interface cable

Used to connect computer's serial port to Radio Interface Box.

**3080369B71** Computer Interface Cable; RIB to 25 pin D

**3080369B72** Computer Interface Cable; RIB to 9 pin D

#### Programming Software

Utilizing your personal computer, this software enables you to add/or reprogram frequencies as your requirements change. Compatible with IBM XT, AT, Model 30, 50, 60 and 80. Requires Radio Interface Box and proper cables; order separately.

**RVN4150G** Programming Software for GTX and GTX LTR Radios, 3-1/2" Diskette, includes binder and manual (6802948C70).

**RVN4156K** Programming Software for LCS2000 Radios, 3-1/2" Diskette, includes binder and manual (6802946C20).

***GTX/LCS2000 Series***

***Service Tools,  
Manuals***

***Service Tools***

***DC Power Cable***

**GKN6270A** Interconnects radio to power supply

***Test Fixture/Cable***

**RLN4460C** Test box used for radio testing

**FKN4588A** Test Cable connects between radio and RLN4460A

***Service Manuals***

**6802945C70** Service Manual, 800 MHz

**6802948C85** Service Manual, 900 MHz