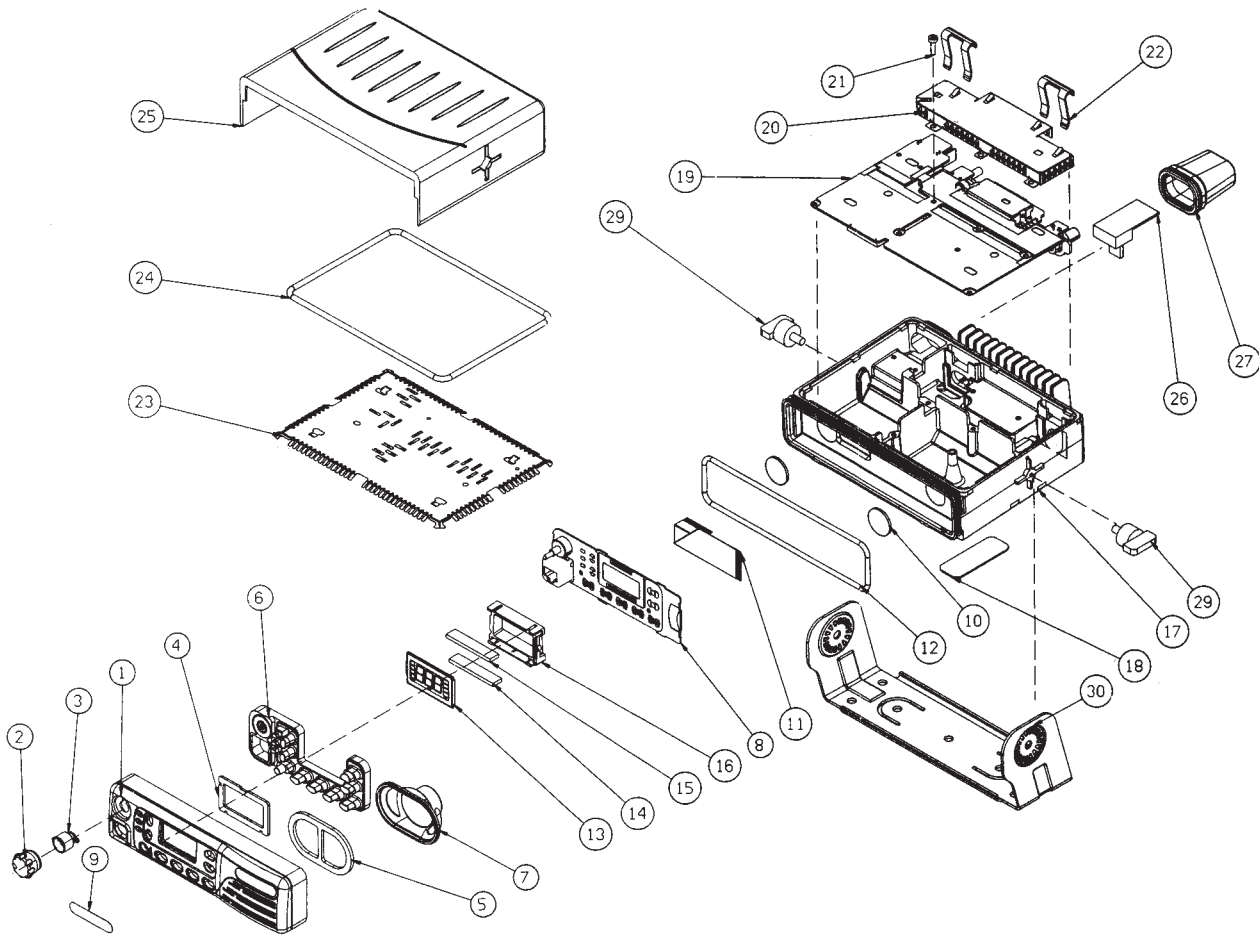


GTX Series

Parts List



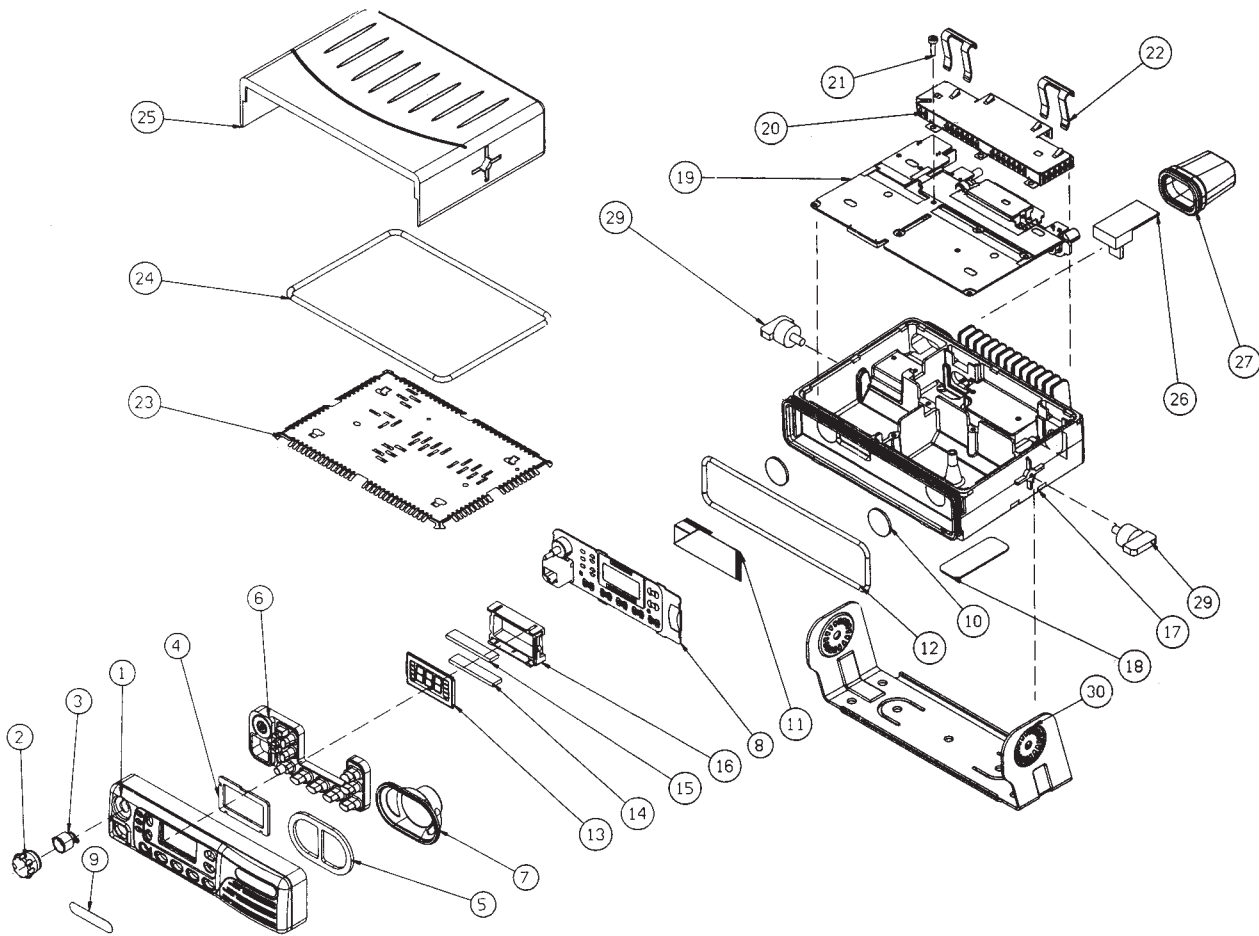
Parts List**GTX 800 MHz Privacy Plus and LTR**

| REF. NO. | PART NO. | DESCRIPTION | REF. NO. | PART NO. | DESCRIPTION |
|-------------|-------------------|-----------------------|-------------|-------------------|--|
| 1 | 0102706K91 | Housing | 17 | 2780354K01 | Chassis |
| 2 | 3605422W02 | Volume knob, exterior | 18* | --- | Label, FCC |
| 3 | 3608147K01 | Volume knob, interior | 19 | FLF5582A | Main Board |
| 4 | 3280511L01 | Gasket, LCD frame | 20 | 2680519K01 | Shield, PA |
| 5 | 3205932V02 | Gasket, speaker | 21 | 0310907A20 | Screw, mechanical, M3 x 0.5 x 10 |
| 6 | 7580358K01 | Keypad | 22 | 4205938V01 | Spring, clip |
| 7 | 5002236P05 | Speaker | 23 | 2680439K01 | Shield, cover |
| 8 | FLN8530 | Board, control head | 24 | 3202619Y01 | Pad |
| 9 | 5480643K01 | Label, logo | 25 | 1580650K01 | Assembly, cover |
| 10 | 3280494K01 | Pad, speaker | 26 | 0102705K33 | Accessory Kit |
| 11 | 8402618Y01 | Circuit, flexible | 27 | 3202606Y01 | Gasket, accessory connector |
| 12 | 3202620Y01 | Gasket, control head | 29 | 0302637Y01 | Screw, wing |
| 13 | 7202631Y01 | Display, LCD | 30 | GLN7317A | Trunnion Kit incl. Item 29, Trunnion and mounting screws |
| 14 | 2802638Y01 | Connector | | | |
| 15 | 2802638Y02 | Connector | | | |
| 16 | 0780360K01 | Frame, LCD | | | |

* Not field replaceable

GTX Series

Parts List



Parts List

GTX 900 MHz Privacy Plus and LTR

| REF. NO. | PART NO. | DESCRIPTION | REF. NO. | PART NO. | DESCRIPTION |
|----------|-------------------|-----------------------|----------|-------------------|--|
| 1** | 0102706K91 | Housing | 18* | --- | Label, FCC |
| 2 | 3605422W02 | Knob, exterior volume | 19 | FLF1023 | Main Board |
| 3 | 3608147K01 | Knob, interior volume | 20 | 2680519K01 | Shield, PA |
| 4** | 3280511L01 | Gasket, LCD frame | 21 | 0310907A20 | Screw, mechanical, M3 x 0.5 x 10 |
| 5 | 3205932V01 | Gasket, speaker | 22 | 4205938V01 | Spring, clip |
| 6 | 7580358K01 | Keypad | 23 | 2680439K01 | Shield, cover |
| 7 | 5002236P05 | Speaker | 24 | 3202619Y01 | Pad |
| 8 | FCN1630 | Board, control head | 25 | 1580650K01 | Assembly, cover |
| 9 | 5480643K01 | Label, logo | 26 | 0102705K33 | Accessory Kit |
| 10 | 3280494K01 | Pad, speaker | 27 | 3202606Y01 | Gasket, accessory connector |
| 11 | 8402618Y01 | Circuit, flexible | 29 | 0302637Y01 | Screw, wing |
| 12 | 3202620Y01 | Gasket, control head | 30 | GLN7317A | Trunnion Kit incl. Item 29, Trunnion and mounting screws |
| 13 | 7202631Y01 | Display, LCD | | | |
| 14 | 2802638Y03 | Connector, Zebra | | | |
| 15 | 2802638Y04 | Connector, Zebra | | | |
| 16 | 0780360K01 | Frame, LCD | | | |
| 17 | 2780354K01 | Chassis | | | |

* Not field replaceable

** Reference Symbol Nos. 1 & 4 will bear one part No. 0102706K91

GTX/LCS2000 Series

Mobile Accessories

Microphones



HMN1035C

HMN3220B Standard Compact Microphone

HMN1035C Full Size Palm Microphone

HMN3013A Non-Backlit Full Size DTMF Microphone

Speakers

Provides audio for high ambient noise environments.

FSN5510A 7.5W External Speaker



FSN5510A

Control Station

Converts the mobile radio for desktop use for dispatch purposes.

HLN3067B Low Power Control Station Package, includes: adapter cable, base tray, black desk mic, and power supply

Control Station Accessories

HPN4002B Control Station Power Supply



HPN4002B

HLN6405A Base Station Tray

HMN3000B Desk Microphone

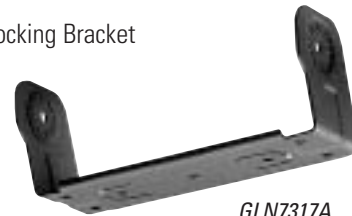
HKN9088B Adapter Cable



HMN3000B

Mounting Brackets

GLN7317A Non-locking Bracket



GLN7317A

GTX/LCS2000 Series

**Accessories,
Antennas**

Cables

GKN6270A Standard Power Cable

GKN6271A Ignition Switch Cable

Alarms

GKN6272AR External Alarm Relay Cable Kit

GLN7323A Emergency Foot Switch

Antenna Adapters

HKN9557A Mini UHF to UHF Adapter Cable

2880376E84 Mini UHF Antenna Connector



Antennas

800 MHz

HAF4002A 1/4 Wave, roof top (806-900 MHz)

RRA4914A 3dB, roof top, stainless steel (806-900 MHz)

RRA4990A 3dB, roof top, black chrome (806-900 MHz)

RRA4983A 3dB, roof top, low loss, stainless steel (806-900 MHz)

RRA4986A 3dB, roof top, low loss, black chrome (806-900 MHz)

900 MHz

RRA4935A 3dB, roof top with 14ft. cable (890-960 MHz)

RAF4003ARM 3dB, roof top with 22ft. cable (890-960 MHz)



Service Aids

Service Aids

Radio Interface Box

Links radio programming cable and computer interface together. Provides required voltage shift to enable communications between radio and computer. Requires computer interface cable, radio programming cable, and a 9 volt snap type battery (6082728J01) or wall mount power supply, order separately.



RLN4008E

RLN4008E Radio Interface Box

Wall Mount Power Supply



0180357A57

Used to supply power to Radio Interface Box.

0180357A57 Wall Mounted Power Supply (110 volts)

0180358A56 Wall Mounted Power Supply(220 volts)

Program/Test Cable

3080070N01 Required to program radio; acts as a link between Radio Interface Box and radio.

Service Aids

Computer Interface cable

Used to connect computer's serial port to Radio Interface Box.

3080369B71 Computer Interface Cable; RIB to 25 pin D

3080369B72 Computer Interface Cable; RIB to 9 pin D

Programming Software

Utilizing your personal computer, this software enables you to add/or reprogram frequencies as your requirements change. Compatible with IBM XT, AT, Model 30, 50, 60 and 80. Requires Radio Interface Box and proper cables; order separately.

RVN4150G Programming Software for GTX and GTX LTR Radios, 3-1/2" Diskette, includes binder and manual (6802948C70).

RVN4156K Programming Software for LCS2000 Radios, 3-1/2" Diskette, includes binder and manual (6802946C20).

GTX/LCS2000 Series

***Service Tools,
Manuals***

Service Tools

DC Power Cable

GKN6270A Interconnects radio to power supply

Test Fixture/Cable

RLN4460C Test box used for radio testing

FKN4588A Test Cable connects between radio and RLN4460A

Service Manuals

6802945C70 Service Manual, 800 MHz

6802948C85 Service Manual, 900 MHz