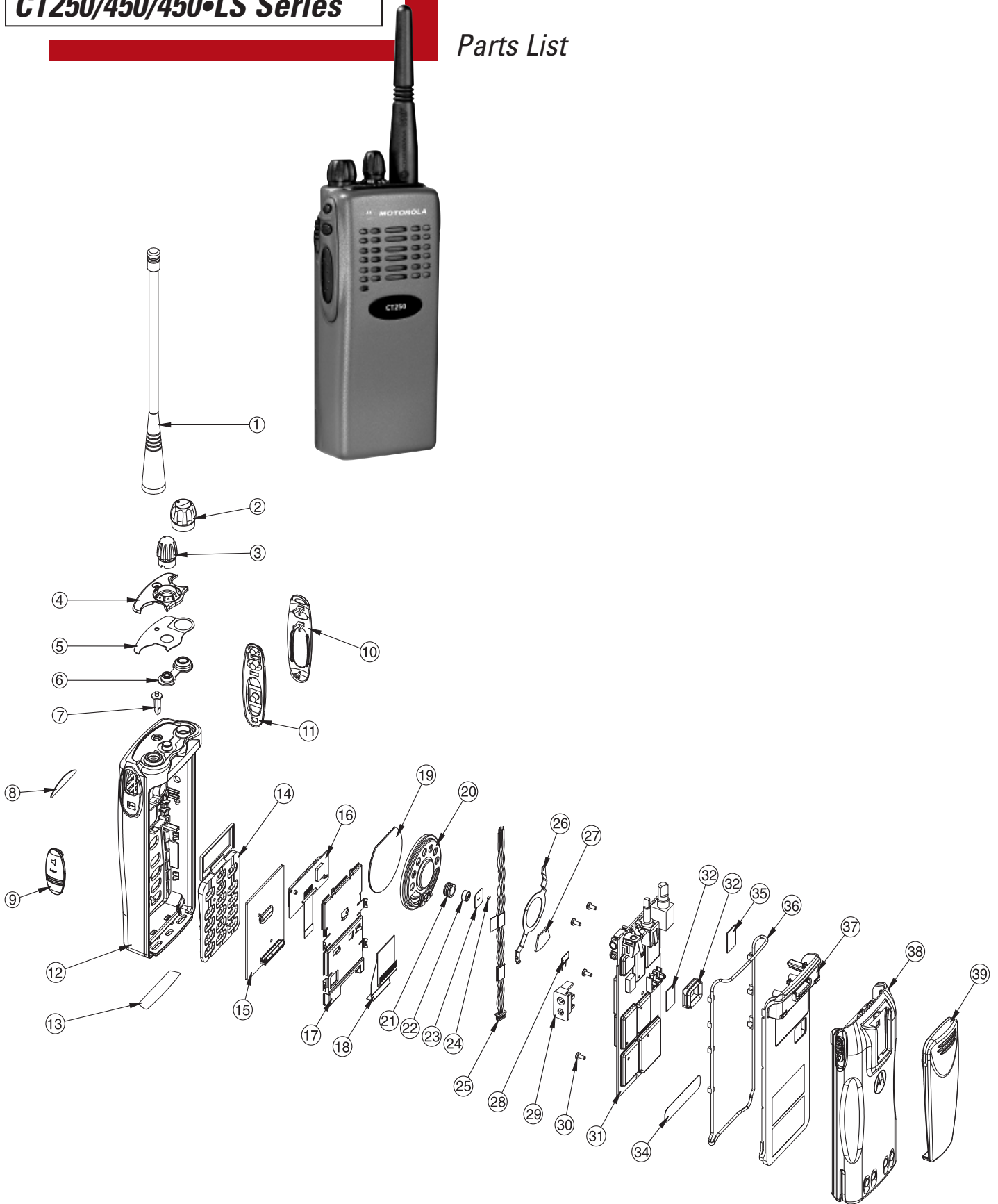


# CT250/450/450•LS Series

## Parts List



# CT250/450/450•LS Series

## Parts List

REF. NO.	PART NO.	DESCRIPTION
1	---	Antenna (see antennas page)
2	<b>3680529Z01</b>	Knob, Volume
3	<b>3680530Z02</b>	Knob, Frequency
4	<b>1385620Z01</b>	Escutcheon, Top
	<b>1385620Z03</b>	Escutcheon, Top, LTR
5	<b>3385703Z01</b>	Label, Escutcheon
6	<b>3280722Z01</b>	Seal, Control Shaft
7	<b>6185621Z01</b>	Lightpipe, Tx
8	<b>HKLN4189A</b>	CT150 Nameplate
	<b>HLN6821A</b>	CT250 Nameplate
	<b>HLN6822A</b>	CT450 Nameplate
	<b>HLN6823A</b>	CT450•LS Nameplate
9	<b>3885617Z02</b>	Dust Cap
10	<b>1385619Z01</b>	Bezel, Side Control
11	<b>7585618Z01</b>	Keypad, Side Control
12	<b>1585616Z01</b>	Housing, Front (CT150/CT250)
	<b>1585616Z02</b>	Housing, Front (CT450/CT450•LS)
	<b>1585616Z03</b>	Housing, Front (CT450•LS)
13	<b>1380649Z03</b>	Escutcheon, FM models only
14	<b>7585623Z02</b>	CT450•LS Limited Keypad
	<b>7585623Z03</b>	CT450•LS Full Keypad
	<b>7585942Z01</b>	CT450 Full Keypad
15	<b>0104009J11</b>	Keypad Board Assembly (CT450/CT450•LS)
16	<b>5104949J08</b>	Display Module (CT450/CT450•LS)

REF. NO.	PART NO.	DESCRIPTION
17	<b>4285609Z04</b>	Retainer Keypad
18	<b>8480475Z03</b>	Flex, Keypad/Controller
19	<b>3585606Z02</b>	Felt, Speaker
20	<b>5085738Z01</b>	Speaker
21	<b>1480577C01</b>	Boot, Microphone
22	<b>5013920A04</b>	Microphone
23	<b>8485687Z01</b>	Flex, Microphone
24	<b>2113740A55</b>	Capacitor Chip Reel CL1 +/-30 100
25	<b>0980727Z01</b>	Connector, Wire
26	<b>4285601Z01</b>	Retainer, Speaker
27	<b>1480724Z01</b>	Insulator, Speaker
28	<b>3980667Z01</b>	Contact Finger
29	<b>1585608Z01</b>	Shroud, Jack
30	<b>0304726J04</b>	Screw, Torx T-6(M2X4.5)
31	---	Main Board (refer to service manual)
32	<b>7580556Z01</b>	Pad, Thermal
33	<b>3280534Z01</b>	Seal, Module Battery
34	<b>3380564Z01</b>	Label, FCC
35	<b>7585706Z01</b>	Pad, Chassis
36	<b>3280536Z01</b>	Gasket, "O" ring
37	<b>2780518Z03</b>	Chassis
38	---	Battery (refer to battery page)
39	<b>HLN9714A</b>	Spring Belt Clip 2.5"

# CT250/450/450•LS Series

## Portable Accessories

### Chargers

#### Single Unit Charger

**AAPMTN4038B** 120 Volt Single Unit Rapid Rate Charger with power supply; charges both NiCd and NiMH batteries in just 90 minutes



AAPMTN4038B

#### Multiple Unit Charger

**RLN5218A** Multi-Unit Rapid Rate Charger; charges both NiCd and NiMH batteries in just 90 minutes

**HLN9293A** Wall Mount Bracket



RLN5218A

### Motorola Conditioning Charger (MCC)

The MCC utilize negative pulse charging technology that will help extend battery life and enhance battery operation. It will safely condition and charge your specified nickel cadmium (NiCd) and nickel metal hydride (NiMH) batteries in approximately one-to-two hours. The MCC controls heat buildup due to its charging and termination algorithms and its maintenance mode allows batteries to be safely left on the charger for extended periods of time. Optional accessories are available allowing these chargers to be used in both AC and DC environments providing optimal charging flexibility.

#### WPPN4065BR

Motorola Conditioning Charger, Four-Station Base Only, 110V (requires Adapter Plate)



WPPN4065BR  
Shown With Optional  
Adapter Plates

#### WPPN4002BR

110V AC Base Charge Unit only (order adapter plates separately)

**WPPN4006AR** 220V AC Base Charge Unit only (order adapter plates separately)

**WPPN4082BR** 7V Adapter Plate only

**WPLN4107BR** MCC Kit includes both base unit and 7V adapter, 110V AC

**WPLN4106AR** MCC Kit includes both base unit and 7V adapter, 220V AC



3080384G15

**3080384G15** Cigarette Lighter Adapter Cord for Motorola Conditioning Charger

**RLN4814A** Mounting bracket for Motorola single unit conditioning charger

**3080384M21** DC hard wire cable for vehicular installation (included with RLN4814A)

**HLN9179A** Quick-Release Attachment for Mounting Bracket RLN4814

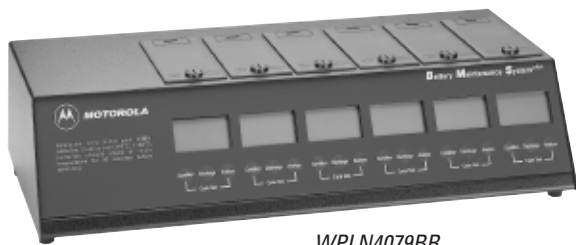
**HLN9228A** Mounting accessories - Clam shell mounting bracket

## CT250/450/450•LS Series

## Portable Accessories

### Battery Maintenance System<sup>plus</sup> (BMS<sup>plus</sup>)

Using interchangeable battery adapters (sold separately), the BMS<sup>plus</sup> is capable of charging and discharging, analyzing, conditioning and cycle testing batteries. It supports NiCd, NiMH, and Li-ion battery chemistries and tracks battery voltage and capacity (mAh). The BMS<sup>plus</sup> offers a 3-year warranty. Its easy-to-use design supports hundred of 2-way, cellular, and camcorder batteries. Includes serial printer\* port (RS-232)



WPLN4079BR

**WPLN4079BR** Six-station, 110V AC, 50/60 Hz

**WPLN4080BR** Six-station, 230V AC, 50/60 Hz

**NDN4005B** Three-station 110V AC, 50/60 Hz (does not support Li-ion or 3-cell batteries)

**NDN4006B** Three-station 230V AC, 50/60 Hz (does not support Li-ion or 3-cell batteries)

**WPPN4085AR** BMS<sup>plus</sup> Li-ion Field Upgrade Kit (for WPLN4079AR BMS<sup>plus</sup> models)

### **BMS<sup>plus</sup> Adapter**

**WPPN4083AR** Adapter compatible with both NiCd and NiMH batteries (Note: if used with TDN9430, requires installation of upgrade kit CDN6142)

### Battery Optimizing System II (BOS II)

No other battery analyzer matches the speed, accuracy, versatility and ease-of-use of the BOS II. New enhancements include new navigation keys and an improved, more intuitive menu system. Regular use of the BOS II can optimize battery performance and help extend battery life, reducing battery replacement costs.

**WPLN4124AR** BOS II 4-Station Reconditioner, 110-240 Volt AC, 50/60 Hz. Ships with US line cord.

- Supports NiCd, NiMH, Li-ion, and SLA batteries
- Increased power-programmable from 100 mAh to 4 Amps per station
- Programmable adapters allow customization of maintenance routines
- Proprietary reduction cycle restores NiCd and NiMH batteries
- Printer output for reports and labels with computer interface (Includes both 9-pin serial and 25-pin parallel ports)
- Universal Power Supply (110-240 VAC)
- Improved processing power and testing resolution, including a 3 minute Quicktest
- Interchangeable adapters accommodate nearly all major batteries



WPLN4124AR

\* Compatible with the STAR Micronics SP200 Series printers (and other printers with STAR emulation); available from any STAR Micronics distributor.

# CT250/450/450•LS Series

## Portable Accessories

### Carry Accessories

#### Carrying Cases

A variety of carrying accessories are available for your comfort and convenience. The carrying cases are available in sizes designed to fit your radio and battery and permit audio to be heard clearly.

#### Carry Cases for CT250

**RLN4865A** Hard leather carry case with belt loop

**RLN4866A** Hard leather carry case with swivel clip

**RLN4867A** Soft leather carry case with belt clip

**RLN4868A** Nylon carry case with belt loop



RLN4866A



RLN4874A

#### Carry Cases for CT450

**RLN4874A** Hard leather carry case with belt loop

**RLN4873A** Hard leather carry case with swivel clip

**RLN4871A** Soft leather carry case with belt clip

**RLN4868A** Nylon carry case with belt loop

#### Carry Cases for CT450•LS

**RLN4871A** Soft leather carry case with belt clip

**RLN4873A** Hard leather carry case with swivel clip

**RLN4878A** Hard leather carry case with swivel; limited keypad models only

**RLN4874A** Hard leather carry case with belt loop

**RLN4879A** Hard leather carry case with belt loop; limited keypad models only

**RLN4868A** Nylon carry case with belt loop



RLN4871A

### Carry Accessories

#### Belt Clip

**HLN9714A** 2.5" Spring action belt clip

**HLN9844A** 2" Spring action belt clip



HLN9844A

#### Belt

**4200865599** 1.75" wide leather belt

#### Carrying Strap

**NTN5243A** Shoulder Carry Strap; for use with Carry Cases with D-rings



NTN5243A

#### Waterproof Bag

**HLN9985B** Waterproof Bag; includes a large carry strap



HLN6602A

#### Chest Pack

This lightweight harness is designed for a safe and secure means of carrying portable radios in a variety of applications and environments. Includes a radio holder, pen holder and secured pocket for spare batteries, tools, and other communication

devices. Can be comfortably worn on the chest, with adjustable straps to fit most body shapes and heights.

**HLN6602A** Universal Chestpack

**1505596Z02** Replacement Strap for HLN6602A/RLN4570A

# CT250/450/450•LS Series

## Portable Accessories

### Carry Accessories

#### Break-A-Way Chest Pack

All of the same features as the original chest pack (HLN6602A) plus break-a-way tabs that allow the entire pack to be pulled off with approximately 10 lbs of pressure. Perfect for railroads, manufacturing locations, construction sites and anywhere that safety is a concern.

**RLN4570A** Break-A-Way Chest Pack



#### RadioPak™



Worn around the waist, it holds Two-way radios, iDEN® portables or cellular phones...keeping them right at hand. Includes a separate 6 x 8 inch zippered pouch for other on-the-job necessities. Adjustable nylon weave belt; fits both men and women.

**RLN4815A** RadioPAK™ Radio/Utility Case

**4280384F89** Universal RadioPAK belt lengthener, fits waists larger than 40"

#### Universal Holders

The RLN4943A is a great solution for forklift operators. The gooseneck bracket can be mounted inside the forklift and adjusted to the correct height for each individual driver. The universal holder will accommodate any Motorola Radio. The quick release can easily be mounted to a wheelchair with gooseneck allowing for adjustment of radio position.

**RLN4943A** Universal holder with gooseneck bracket

**RLN4944A** Wheelchair quick release assembly

**RLN4945A** Universal holder with gooseneck bracket and wheelchair quick release assembly



### Audio Accessories

#### Remote Speaker Microphone



Allows you to talk and listen without removing the radio from the belt, case or charger. Ideal for high noise level environments. This water resistant compact unit has a coiled cord, PTT switch and black cover clothing clip.

**HMN9030A\*** Remote Speaker Microphone

**HKN9094A** Replacement Coiled Cord for HMN9030A

#### Epaulet Strap

Black leather epaulet strap secures remote speaker microphone to epaulet of shirts or jackets and attach around cord or back of microphone. Allows reliable communications in hostile environments with velcro or clip style strap.

**RLN4294A** Velcro Epaulet Strap

**RLN4295A** Small clip epaulet strap



\* Intrinsicly safe

# CT250/450/450•LS Series

## Portable Accessories

### Audio Accessories

#### Surveillance Kits

Surveillance accessories allow the user to privately receive communications with the earpiece and are ideal when environments require discrete communications.

**HMN9727B\*** Receive-only Surveillance Kit, beige (single-wire)

**RLN4894A** Receive-only Surveillance Kit, black (single-wire)

**HMN9752B\*** Receive-only Surveillance Kit with volume control, beige

**HMN9754D** Surveillance Kit with microphone and push to talk combined, beige (two-wire)



RLN4894A



HMN9754D

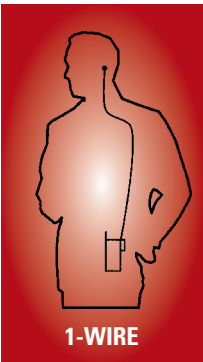
**RLN4895A** Surveillance Kit with microphone and push to talk combined, black (two-wire)

**RLN5198AP** Beige Two-wire Surveillance Kit with Clear Comfortable Acoustic Tube - Resale Packaged

#### Surveillance Kit Replacement Accessories

**5080370E97** Standard Rubber Eartips, Clear.

**5080384F72** Replacement Foam Plugs. Pack of 50. For use with NTN8370A. Noise reduction rating = 24dB



1-WIRE



2-WIRE

### Audio Accessories

#### Surveillance Kits with Extended Wear Comfort Earpiece

These kits include a comfort earpiece with a rubber ear tip and a clear comfortable acoustic tube. Users hear transmissions clearly, while the clear tube provides a discreet appearance.



RLN5318A



**RLN5318A** Two-Wire Comfort Earpiece with Combined Microphone and Push-To-Talk

**RLN5317A** Two-Wire Comfort Earpiece with Combined Microphone and Push-To-Talk

\* Intrinsicly safe

# CT250/450/450•LS Series

## Portable Accessories

### Audio Accessories

#### Completely Discrete Earpiece

Enables users to communicate with ease, in full privacy, without visible equipment. This miniaturized receiver is discretely hidden in the ear, where it fits comfortably for long periods at a time. Small as it is, it offers a full range of audio functions including automatic squelch, automatic gain control and noise filtering. Average battery life is approximately 100 hours and includes an end-of-life battery circuit generating a warning signal when the battery needs to be changed.

Kit includes wireless receiver plus an inductive neckloop. Just remove the earpiece on any standard 2- or 3- wire Motorola surveillance kit (sold separately) and plug in the neckloop to use. Kit includes 6 spare batteries and 5 replacement ear wax guards.



RLN4922A

**RLN4922A** Completely Discrete Earpiece Kit

**RLN4919A** Replacement Ear Wax Guards, 5 per pack

**RNN4005A** Replacement 1.4V Battery, 6 per pack

#### Noise Kits

Lightweight translucent tube attaches to Motorola surveillance accessories. Clothing clip prevents the accessory from being pulled from the ear due to body movement or head rotation.

**NTN8370A** Extreme noise kit, includes 2 foam earplugs for loud environments, provides 24dB of noise reduction



NTN8370A

### Audio Accessories

**NTN8371A** Low noise kit, includes rubber eartip for low noise environments, does not provide hearing reduction

**5080369E39†** Extra Loud Earphone. Beige.

**5080370E91†** Extra Loud Earphone. Black.

#### Surveillance Replacement Accessories

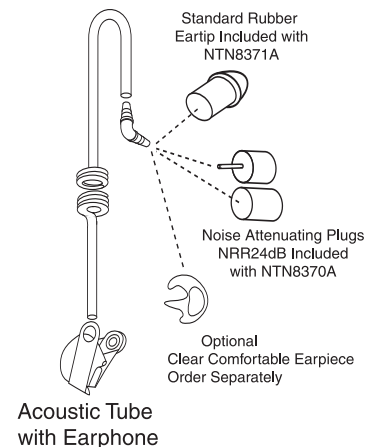
**5080384F72** Replacement foam plugs; pack of 50 (For use with NTN8370A)

**5080370E97** Standard Rubber Eartips, Clear

#### Clear Comfortable Earpiece

The clear comfortable earpiece forms to the inside of your ear and is perfect for low noise environments. Compatible with the NTN8371A, clear acoustic tube assembly, and most surveillance kits (1-, 2-, and 3-wire). This earpiece is made of easy to clean chemically inert, hypoallergenic material. Does not provide hearing protection. There are 3 items needed to make this product work:

1. Clear comfortable earpiece
2. Clear acoustic tube assembly (NTN8371A)
3. Surveillance kits



Acoustic Tube with Earphone

**RLN4760A** Small custom earpiece, right ear

**RLN4763A** Small custom earpiece, left ear

**RLN4761A** Medium custom earpiece, right ear

**RLN4764A** Medium custom earpiece, left ear

**RLN4762A** Large custom earpiece, right ear

**RLN4765A** Large custom earpiece, left ear



RLN4760A

† Extra Loud Earphone exceeds OSHA limits.



# CT250/450/450•LS Series

## Portable Accessories

### Audio Accessories

#### Ear Microphone System (EMS)

This compact unit picks up the voice through bone vibrations in the ear canal. The miniature earpiece leaves the hands free and face unobscured when worn by rescue and hazard protection personnel, who still retain the ability for direct hearing and speaking. For personnel required to wear breathing apparatus, communications with protective masks are as clear as communications without. And its high speech clarity under noisy environments make it ideal for high noise environments. Available in PTT or voice activated (VOX).

**BDN6646C\*** Ear microphone for standard noise levels (up to 95dB) with push to talk interface (HLN8096 security clamp is recommended and must be ordered separately)

**BDN6706B** Ear microphone for standard noise levels (up to 95dB) with push to talk voice activated interface module (HLN8096 security clamp is recommended and must be ordered separately)



BDN6646C

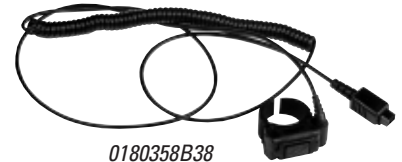
### Audio Accessories

#### Ear Microphone System (EMS) Accessories

**0180358B38** Ring Push-To-Talk Switch for Ear Microphone System

**0180300E83** Remote Push-to-Talk Body Switch

**0180300E25** Earguard with adjustable loop, secures ear mic in ear



0180358B38

**0180358B32** Small size black earholder secures microphone in ear

**0180358B33** Medium size black earholder secures microphone in ear

**0180358B34** Large size black earholder secures microphone in ear

**0180358B35** Small size clear earholder secures microphone in ear

**0180358B36** Medium size clear earholder secures microphone in ear

**0180358B37** Large size clear earholder secures microphone in ear



0180358B33

**4280369E44** Replaceable belt clip with screws

**5080358B28** Medium size black eartips (10 per pack)

**5080358B29** Large size black eartips (10 per pack)

**5080358B30** Medium size beige eartips (10 per pack)

**5080358B31** Large size beige eartips (10 per pack)

#### Flexible Ear Receiver

Single wire, receive only earpiece provides discrete receipt of communication. Adjustable earloop fits comfortably and securely outside of the ear. Security clamp is recommended and must be ordered separately.

**BDN6720A\*** Black Flexible ear receiver earpiece without volume control

**7580372E11** Replacement Foam Ear Cushion for BDN6720A



BDN6720A

\* Intrinsicly safe

# CT250/450/450•LS Series

## Portable Accessories

### Audio Accessories

#### **Pellet Style Earpieces**

The Pellet Style Earpiece allows the user to receive communication discreetly and is comfortable for extended wear use.

**HMN9036A** Earbud with Microphone and Push-To-Talk

**HLN9132A** Single-Wire Receive Only Earbud

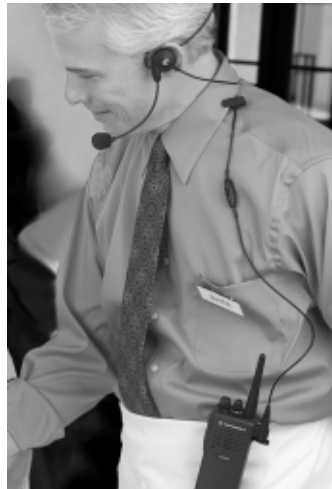


HMN9036A

#### **Ultra-Lite Headset**

Designed with a sleek new look that fits right in with Restaurant and Hospitality industries. Lightweight, behind-the-head style design provides comfort and mobility. Includes flexible boom microphone and in-line Push-To-Talk button.

**RLN5411A** Ultra-light Headset



RLN5411A

#### **Ultra-Lite Earpiece**

**PMMN4001A** Ultra-lite earpiece with microphone and push to talk



PMMN4001A

\* Intrinsicly safe



### Audio Accessories

#### **Lightweight Headsets**

Lightweight headsets allow for high clarity, hands free, discrete two way communications while adding comfort for extended wear in moderate noise environments. No adapter required.

**RMN4016A** Lightweight single muff headset with swivel boom microphone for left or right ear operation with in-line PTT button



RMN4016A

**HMN9013A\*** Lightweight adjustable headset with swivel boom microphone (HLN8096 security clamp recommended ordered separately, compatible with internal VOX)

**REX4648A** Replacement foam earpad and windscreen kit for RMN4016A, HMN9013A, BDN6773A, NMN6245A, AARMN4018A and AARMN4013A

#### **NFL Style Lightweight Headset**

This single-muff headset takes its styling cue from the Motorola headsets used by NFL coaches in football stadiums around the country. Ergonomically-designed for all-day comfort, it's ideal for both sports and special events. Features a noise canceling boom microphone and in-line Push-to-Talk. Large Motorola logo adds a sporty appearance.

**RLN5238A** NFL Style Lightweight Headset

**RMN5047A** Single-Muff, Heavy-Duty Headset with Swivel Boom Microphone



RMN5047A



RLN5238A

# CT250/450/450•LS Series

## Portable Accessories

### Audio Accessories

#### Medium Weight Headsets

Medium weight headsets offer high clarity sound with the additional hearing protection necessary for providing consistent, clear two way radio communication in harsh, noisy situations.



HMN9021A

**HMN9021A** Medium weight muff headset, over the head noise reduction rating = 24dB (HLN8096 security clamp recommended ordered separately)



HMN9022A

**HMN9022A** Medium weight dual muff headset, behind the head (can be worn with helmet); noise reduction rating = 24dB (HLN8096 security clamp recommended ordered separately)

**BDN6647G** Medium weight single speaker headset with boom microphone (HLN8096 security clamp recommended – order separately complete with internal VOX)

**3580371E59** Replacement windscreen (for boom microphone); for use with BDN6647G

**5080371E66** Replacement earpad for BDN6647G

### Audio Accessories

#### Noise-Canceling Headsets with Boom Microphone

Ideal for two-way communication in extremely noisy environments. Dual-muff tactical headsets include two microphones on the outside of the earcups which reproduce the ambient sound back into the headset. Harmful sounds are suppressed to a safe level and low sounds are amplified up to 5 times the original level, but never more than 82dB(A). Includes on/off volume control on earcups and 3-foot coiled cord. Easily replaceable earseals are filled with liquid and foam combination to provide excellent sealing and comfort. Requires separate in-line PTT adapter cable. Hardhat not included.



RMN4052A

**RMN4052A** Tactical Headband Style Headset, grey; noise reduction rating of 24dB



RMN4053A

**RMN4053A** Tactical Hardhat Mount Headset, grey; noise reduction rating of 22dB

**RKN4094A** In-Line PTT Adapter Cable; for use with RMN4051A, RMN4052A and RMN4053A

**RKN4923A** Replacement Earseals for RMN4051B/RMN4052B/RMN4053A. Includes 2 snap-in earseals. Recommended replacement interval; once every 6 months to ensure constant level of attenuation, hygiene and comfort.

# CT250/450/450•LS Series

## Portable Accessories, Antennas

### Audio Accessories

#### Hardhat Mount Headset with Noise-Canceling Boom Microphone

Ideal for two-way communication in high noise environments; mounts easily to hardhats with slots, excellent noise reduction of 22dB. Easily replaceable earseals are filled with liquid and foam combination to provide excellent sealing and comfort. 3-foot coiled cord assembly. Requires separate in-line PTT adapter cable. Hardhat not included.



RMN4051A

**RMN4051A** Two-Way Hardhat Mount Headset, black

**RKN4094A** In-Line PTT Adapter Cable; for use with RMN4051A, RMN4052A and RMN4053A

#### Racing Headset

Racing Headset - Same headset worn by pit crews on the CART racing circuit. Heavy Duty, behind the head Headset with Noise Cancelling Swivel Boom Microphone. Noise Reduction Rating = 24dB (adapter cable required and sold separately)



RMN5015A

**RMN5015A** Racing Headset

**RKN4090A** Adapter Cable for Racing Headset (RMN5015)

#### Heavy Duty Headsets

Heavy duty headsets include noise-canceling boom microphones and can be worn with or without a hardhat. The Push-to-Talk switch is located on the earcup. The VOX module is contained within the headset on voice activated units.



BDN6648C

**BDN6648C\*** Heavy duty headset with noise cancelling boom microphone, noise reduction rating =24dB

\* Intrinsically safe



### Antennas

#### Stubby Antennas for CT150/CT250/CT450

This quarterwave stubby antenna is ideal when radio is worn on the belt because the short antenna is non-obtrusive.

**PMAD4012A**

VHF Stubby Antenna, 136-155 MHz

**PMAD4025A**

VHF Stubby Antenna, 150-161 MHz

**PMAD4013A**

VHF Stubby Antenna, 155-174 MHz

**PMAE4002A**

UHF Stubby Antenna, 403-430 MHz

**8504762J08**

UHF Stubby Antenna, 430-470 MHz



PMAD4012A

#### Flexible Whip Antennas for CT150/CT250/CT450

Flexible whip antennas have a one-piece finish and steel core for optimal radiation characteristics. Provides more comfort when radio is worn on the belt.

**8504762J01**

VHF Flexible Whip Antenna, 136-155 MHz

**PMAD4023A**

VHF Flexible Whip Antenna, 150-161 MHz

**8504762J02**

VHF Flexible Whip Antenna, 155-174 MHz

**NAE6483AR**

UHF Flexible Whip Antenna, 403-512 MHz

**NAD6579A**

VHF Flexible Whip Antenna, 148-161 MHz

**NAD6502AR**

VHF Heliflex Antenna, 146-174 MHz



NAD6502A

## CT250/450/450•LS Series



## Antennas, Miscellaneous Accessories

### Antennas

#### Stubby Antennas for CT450•LS

Stubby antenna is ideal when radio is worn on the belt because the short antenna is non-obtrusive.

##### **8504762J01**

UHF Stubby Antenna, 430-470 MHz

##### **PMAE4006A**

UHF Stubby Antenna, 465-490 MHz

##### **PMAE4008A**

UHF Stubby Antenna, 465-512 MHz

##### **PMAE4007A**

UHF Stubby Antenna, 490-512 MHz

#### Flexible Whip Antennas for CT450•LS

Flexible whip antennas have a one-piece finish and steel core for optimal radiation characteristics. Provides more comfort when radio is worn on the belt.

##### **NAE6483AR**

UHF Flexible Whip Antenna, 403-512 MHz



NAE6483AR

### Miscellaneous

#### Assistive Turning Knobs

Customers who wear large gloves...people with mobility or dexterity limitations...virtually anyone with limited hand use will appreciate this added convenience. Set of two specially designed knobs for volume control and channel changing on all Professional Series and CT series radios.

**RLN4890A** Assistive turning knobs



RLN4890A

#### Option Board

**AARLN4855A** Option Board DTMF Decode

# CT250/450/450•LS Series

Batteries  
Service Aids,  
Software, Manuals

## Portable Batteries

### Nickel-Cadmium Premium

Part Number: **PMNN4021AR**

Volts: 7.5

Avg. mAh: 1100

Height: 4-13/16"

Intrinsically Safe: No

### Nickel Metal Hydride Premium

Part Number: **PMNN4018AR**

Volts: 7.5

Avg. mAh: 1250

Height: 4-13/16"

Intrinsically Safe: No

Part Number: **PMNN4019AR**

Volts: 7.5

Avg. mAh: 1100

Height: 4-13/16"

Intrinsically Safe: Yes



PMNN4018AR

## Service Aids

**AA0180305G54** Battery Eliminator Cable

**AA0180305H20** Battery Eliminator Fixture

**AA8180384J58** Housing Eliminator

**AAPMKN4003A** Cloning Cable 2.5mm

**AAPMKN4004A** Test/Programming Cable

**RKN4073A** Cloning cable (Multi language manual)

**RKN4075A** Ribless programming cable provide interface between computer and radio - not compatible with rib. (Multi language manual)

**RLN4460C** Portable test set, enables connection to audio/accessory jack; allows switching from radio testing

**RLN4510A** Battery eliminator 7.5V regulator, work in combination with shop battery block (AA0180305G54)

## Programming Software

**HVN6053E** Programming Software

**8264934B01** Programming Firmware for Vehicular Adapters

## Manuals

**0180305J46** Ear Microphone System and Temple Transducer CD-ROM

**6881093C20** CT150/CT250 Portable User Guide

**6881093C22** Basic Service Manual English

**6881093C55** Detailed Service Manual English

**6881093C16** CT450 Portable User Guide

**6881093C21** CT450•LS Portable User Guide

**6881093C78** User Manual for Vehicular Adapters

Over 7 million customers have made MyRadioMall.com America's #1 choice when it comes to dependable and reliable Motorola Communications at fantastic prices.

We are now celebrating our 12th year of online service and the best is yet to come.



Advanced Radio Systems, Inc  
8726 NW 26 Street #6  
Miami, Florida 33172  
Voice Numbers: 305-884-1795  
Toll Free: 1-866-900-Mall (6255)  
Fax Number: 305-884-1985

12/25/2006