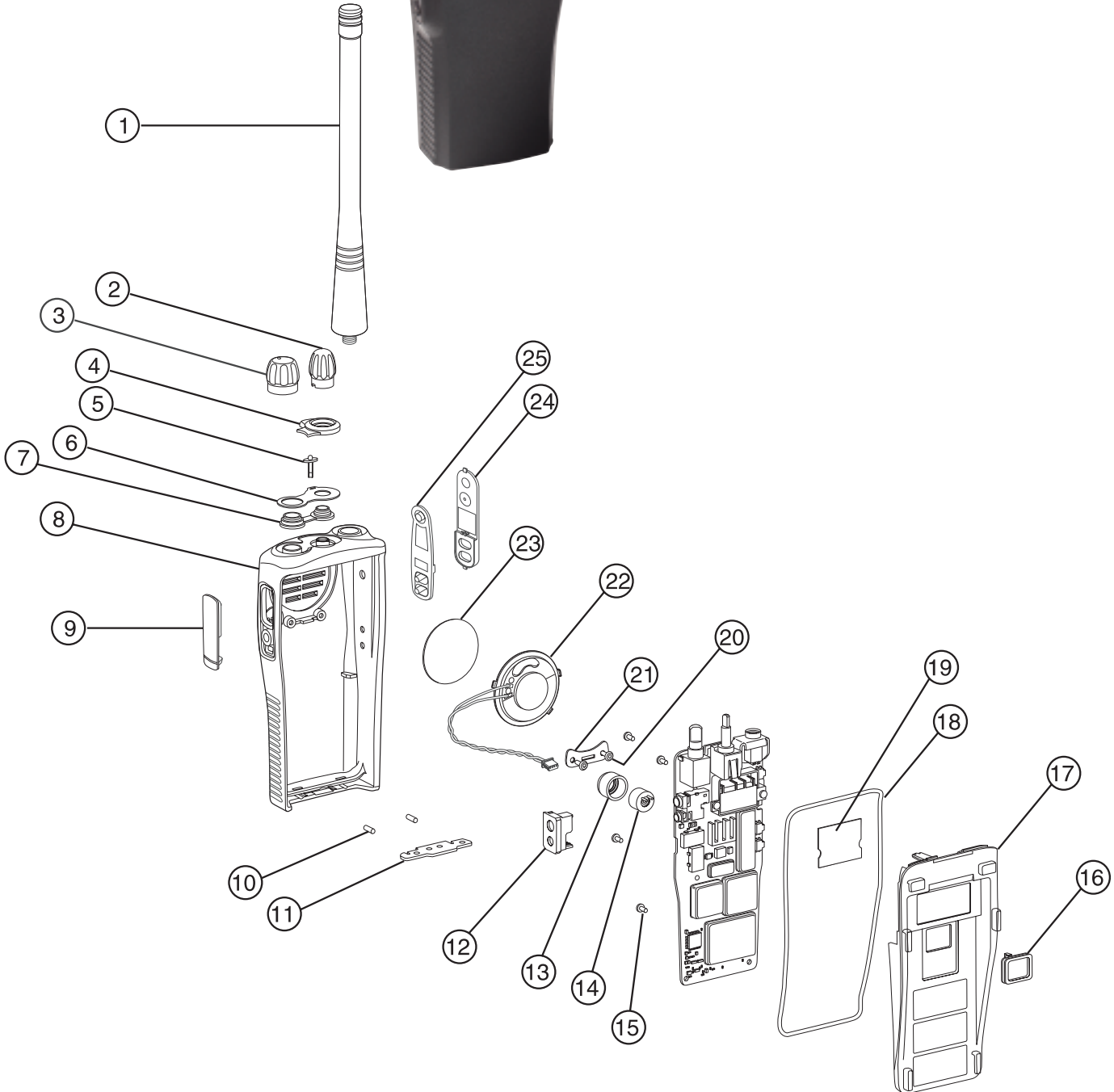


# CP150/200 Series



## Parts List



# CP150/200 Series

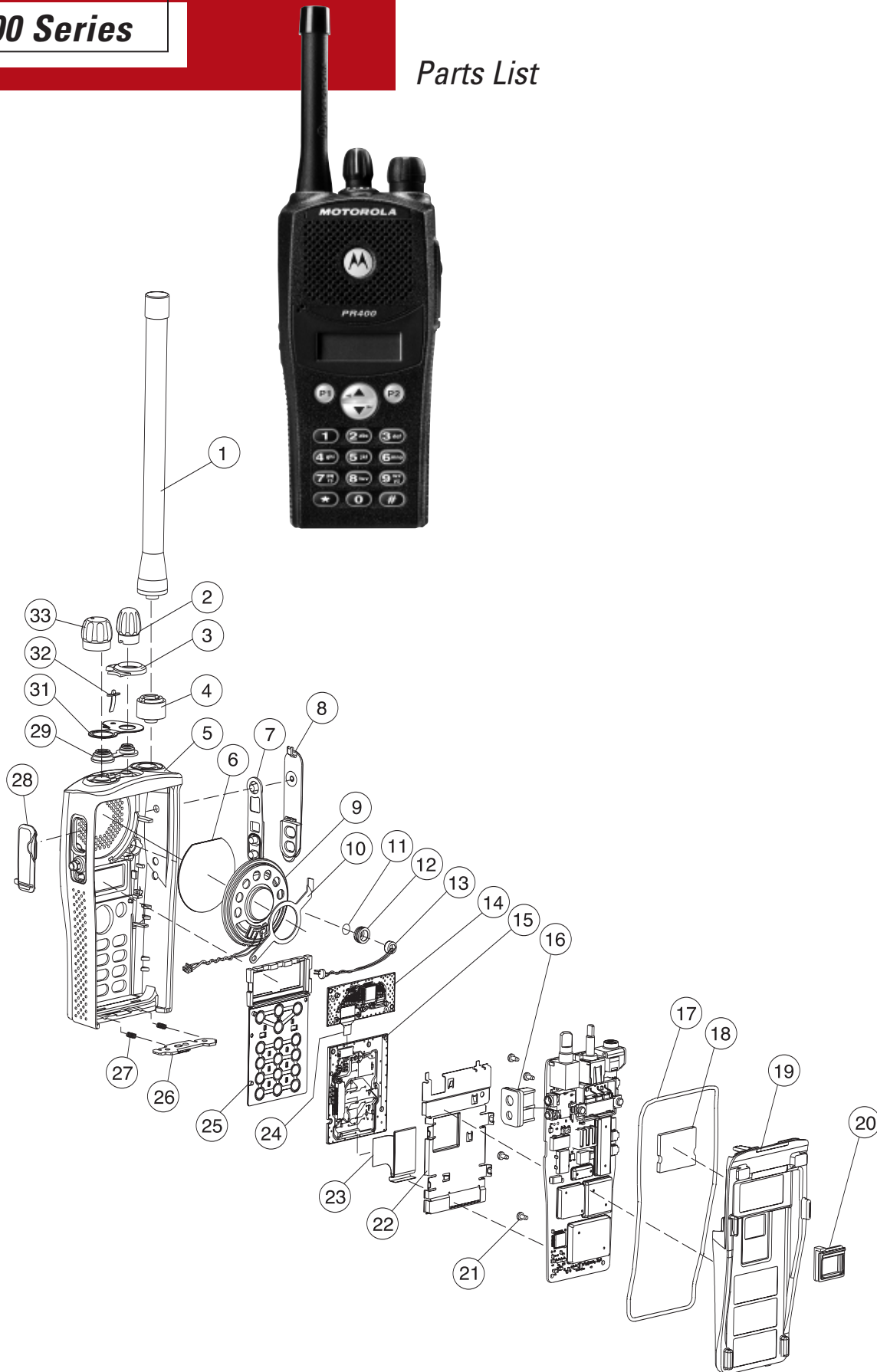
## Parts List

REF. NO.	PART NO.	DESCRIPTION	REF. NO.	PART NO.	DESCRIPTION
1	----	Antenna (see antennas page)	16	<b>3286435Z01</b>	Seal, battery contact block
2	<b>3680530Z02</b>	Knob, Frequency	17	<b>2786389Z01</b>	Chassis
3	<b>3680529Z01</b>	Knob, Volume	18	<b>3286431Z02</b>	Seal, main O-ring
4	<b>1386440Z01</b>	Escutcheon, Top; 4 Ch.	19	<b>7586436Z01</b>	Pad, PA interface
	<b>1386440Z02</b>	Escutcheon, Top; 16 Ch.	20	<b>0386434Z01</b>	Screws, speaker retainer; 2 used
5	<b>6186446Z01</b>	Lightpipe	21	<b>0786433Z02</b>	Retainer, speaker
6	<b>3386443Z01</b>	Label, Escutcheon Seal	22	<b>5005679X04</b>	Speaker
7	<b>3286432Z01</b>	Seal, Control Shaft	23	<b>3586092Z02</b>	Felt, speaker
8	<b>1586390Z01</b>	Housing, Front	24	<b>4586439Z01</b>	PTT, plastic
9	<b>3886441Z01</b>	Cap, Dust	25	<b>3886489Z01</b>	PTT, rubber
10	<b>4105944K01</b>	Spring, latch; 2 used	<b>NON-REFERENCED ITEMS</b>		
11	<b>5586445Z01</b>	Latch assembly		<b>3386488Z01</b>	Nameplate, Motorola
12	<b>1586437Z01</b>	Shroud, audio jack		<b>3386409Z01</b>	Nameplate, Radius CP200
13	<b>0786469Z01</b>	Boot, microphone		<b>3386409Z02</b>	Nameplate, Radius CP150
14	<b>5080258E16</b>	Microphone			
15	<b>0304726J05</b>	Screws, chassis; 4 used			

# PR400 Series



## Parts List



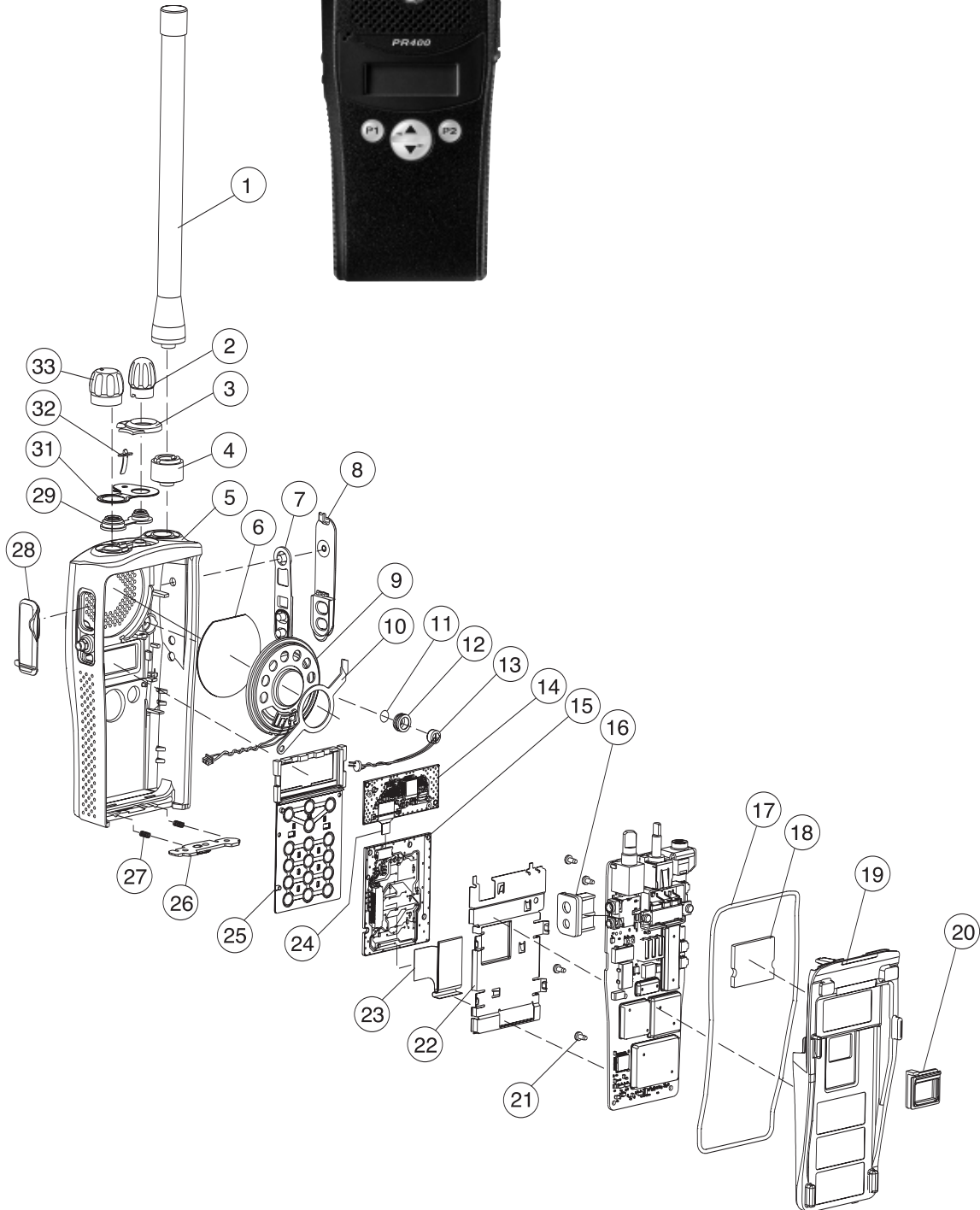
# PR400 Series

## Parts List

REF. NO.	PART NO.	DESCRIPTION	REF. NO.	PART NO.	DESCRIPTION
1	See Section 6	Antenna	18	<b>7586436Z01</b>	Pad, PA Interface
2	<b>3680530Z02</b>	Knob, Frequency	19	<b>2786389Z01</b>	Chassis
3	<b>1386440Z01</b>	Escutcheon, Top; 4 Ch.	20	<b>3286435Z01</b>	Seal, Battery Contact Block
	<b>1386440Z02</b>	Escutcheon, Top; 16 Ch.	21	<b>0304726J05</b>	Screws, Chasis; 4 Used
4	<b>5886627Z01</b>	Antenna Adaptor/Seal (Optional)	22	<b>4286648Z01</b>	Plate, Retainer
5	<b>1586391Z03</b>	Housing, ELP+, Full, with Lens	23	<b>0909059E19</b>	Connector, 28-pin
6	<b>3586621Z01</b>	Speaker, Felt	25	<b>7586654Z03</b>	Keypad, Full
7	<b>3886489Z01</b>	PTT, Rubber	26	<b>5586445Z02</b>	Latch Assembly
8	<b>4586439Z01</b>	PTT, Plastic	27	<b>4105944K01</b>	Spring, Latch; 2 Used
9	<b>5085738Z08</b>	Speaker	28	<b>3886441Z01</b>	Cap, Dust
10	<b>4286620Z01</b>	Retainer Speaker	29	<b>3286432Z01</b>	Seal, Control Shaft
11		Felt, Microphone	31	<b>3386443Z01</b>	Lable, Escutchen Seal
12	<b>0786469Z01</b>	Boot, Microphone	32	<b>6186446Z02</b>	Lightpipe
13	<b>5085880L01</b>	Microphone	33	<b>3680529Z01</b>	Knob, Volume
14	<b>5104949J16</b>	Display, LCD Module	<b>NON-REFERENCED ITEMS</b>		
15	<b>0104017J18</b>	Keypad Board Assy		<b>3386625Z01</b>	Nameplate, Motorola
16	<b>1586437Z01</b>	Shroud, Audio Jack		<b>3386623Z09</b>	Nameplate, Radius PR400
17	<b>3286431Z02</b>	Seal, Main O-ring			

# PR400 Series

## Parts List



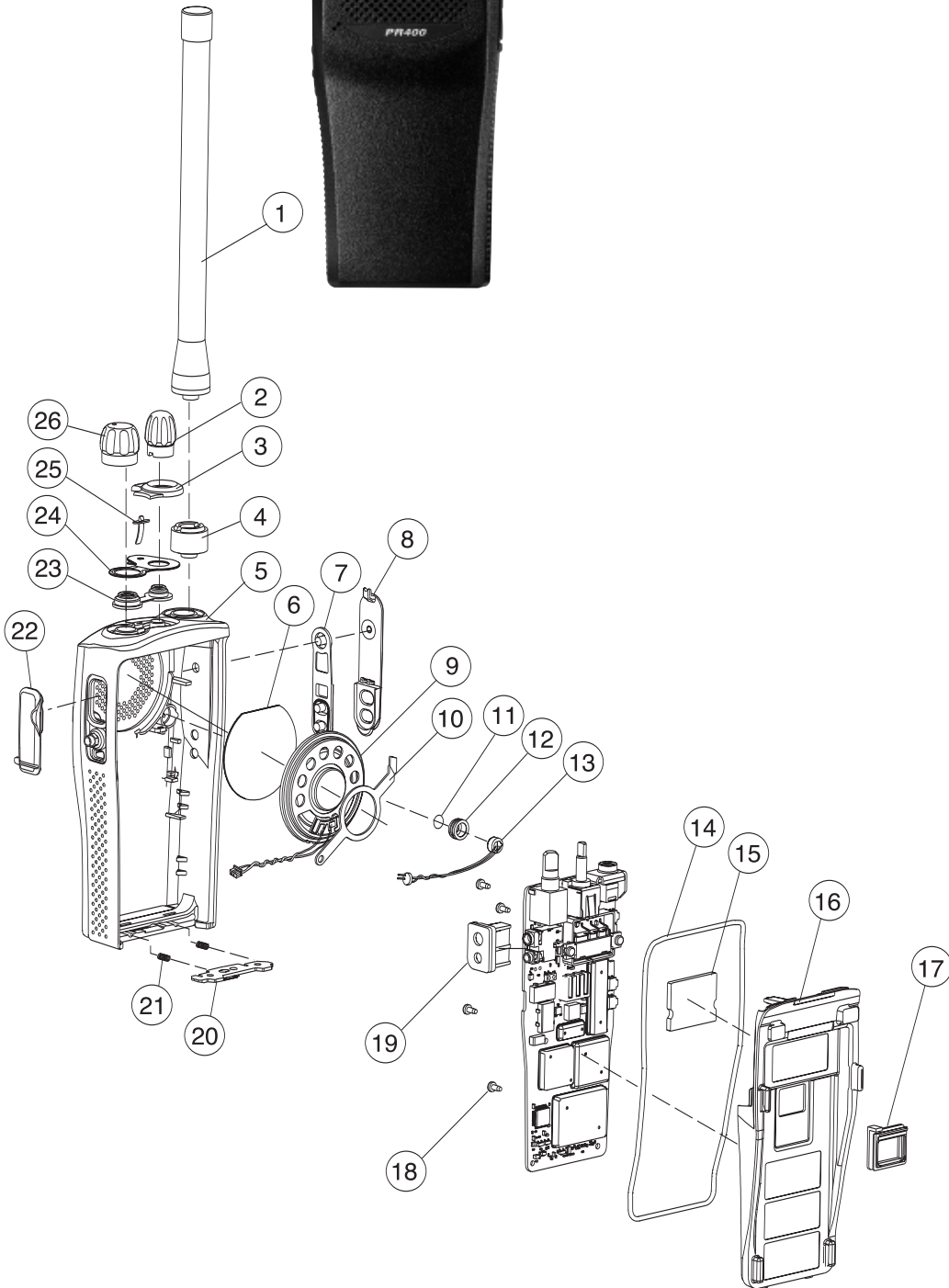
# PR400 Series

## Parts List

REF. NO.	PART NO.	DESCRIPTION	REF. NO.	PART NO.	DESCRIPTION
1	See Section 6	Antenna	19	<b>2786389Z01</b>	Chassis
2	<b>3680530Z02</b>	Knob, Frequency	20	<b>3286435Z01</b>	Seal, Battery Contact Block
3	<b>1386440Z03</b>	Escutcheon, Top; 4 Ch. Escutcheon, Top; 16 Ch.	21	<b>0304726J05</b>	Screws, Chasis; 4 Used
4	<b>5886627Z01</b>	Antenna Adaptor/Seal (Optional)	22	<b>4286648Z01</b>	Plate, Retainer
5	<b>1586391Z02</b>	Housing, ELP+, Limited, with Lens	23	<b>0986615Z02</b>	Connector, 28-pin
6	<b>3586621Z01</b>	Speaker, Felt	24	<b>0986632Z02</b>	Connector, 9-pin
7	<b>3886489Z01</b>	PTT, Rubber	25	<b>7586654Z02</b>	Keypad, Limited
8	<b>4586439Z01</b>	PTT, Plastic	26	<b>5586445Z02</b>	Latch Assembly
9	<b>5085738Z08</b>	Speaker	27	<b>4105944K01</b>	Spring, Latch; 2 Used
10	<b>4286620Z01</b>	Retainer Speaker	28	<b>3886441Z01</b>	Cap, Dust
11		Felt, Microphone	29	<b>3286432Z01</b>	Seal, Control Shaft
12	<b>0786469Z01</b>	Boot, Microphone	31	<b>3386443Z01</b>	Lable, Escutchen Seal
13	<b>5085880L01</b>	Microphone	32	<b>6186446Z02</b>	Lightpipe
14	<b>5104949J16</b>	Display, LCD Module	33	<b>3680529Z01</b>	Knob, Volume
15	<b>0104017J19</b>	Keypad Board Assy	<b>NON-REFERENCED ITEMS</b>		
16	<b>1586437Z01</b>	Shroud, Audio Jack		<b>3386625Z01</b>	Nameplate, Motorola
17	<b>3286431Z02</b>	Seal, Main O-ring		<b>3386623Z09</b>	Nameplate, Radius PR400
18	<b>7586436Z01</b>	Pad, PA Interface			

**PR400 Series**

*Parts List*



# PR400 Series

## Parts List

REF. NO.	PART NO.	DESCRIPTION	REF. NO.	PART NO.	DESCRIPTION
1	See Section 6	Antenna	16	<b>2786389Z01</b>	Chassis
2	<b>3680530Z02</b>	Knob, Frequency	17	<b>3286435Z01</b>	Seal, Battery Contact Block
3	<b>1386440Z02</b>	Escutcheon, Top; 16 Ch.	18	<b>0304726J05</b>	Screws, Chassis; 4 Used
4	<b>5886627Z01</b>	Antenna Adaptor / Seal	19	<b>1586437Z01</b>	Shroud, Audio Jack
5	<b>1586391Z01</b>	Housing, ELP+, Plain	20	<b>5586445Z02</b>	Latch Assembly
6	<b>3586621Z01</b>	Felt, Speaker	21	<b>4105944K01</b>	Spring, Latch; 2 Used
7	<b>3886489Z01</b>	PTT, Rubber	22	<b>3886441Z01</b>	Cap, Dust
8	<b>4586439Z01</b>	PTT, Plastic	23	<b>3286432Z01</b>	Seal, Control Shaft
9	<b>5085738Z08</b>	Speaker	24	<b>3386443Z01</b>	Lable, Escutcheon Seal
10	<b>4286620Z01</b>	Retainer, Speaker	25	<b>6186446Z02</b>	Lightpipe
11		Felt, Microphone	26	<b>3680529Z01</b>	Knob, Volume
12	<b>0786469Z01</b>	Boot, Microphone	<b>NON-REFERENCED ITEMS</b>		
13	<b>5085880L01</b>	Microphone		<b>3386625Z01</b>	Nameplate, Motorola
14	<b>3286431Z02</b>	Seal, Main O-ring		<b>3386623Z09</b>	Nameplate, Radius PR400
15	<b>7586436Z01</b>	Pad, PA Interface			



# CP150/200 & PR400 Series

## Portable Accessories

### Chargers



WPLN4138AR

#### Rapid Rate Chargers

**WPLN4138AR** Single-unit Rapid Rate Tri-chemistry Desktop Charger; lightweight and compact unit charger rapidly charges CP150 and CP200 NiCd and Li-ion batteries within two hours

**WPLN4137AR** Single-unit Rapid Rate Tri-chemistry Desktop Charger (Base Only)

**WPLN4161AR** 6-Pocket, Rapid Rate, Multi-Unit Charger, 120 Volt; Supports NiCd, NiMH, and Li-ion chemistries.

**HLN9293A** Wall Mount Bracket for WPLN4161AR

**EPNN7994A** Rapid Rate Charger Transformer (U.S.) 120 volt



WPLN4161AR

#### 10-Hour Chargers

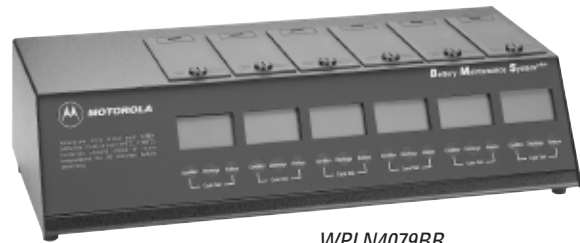
10-Hour Chargers are considered slow-rate chargers and will charge batteries overnight.

**EPNN7997A** 10-Hour Plug-In Charger; slow-rate charger plugs directly into the radio accessory connector

**WPLN4155AR** 10-Hour Desktop Charger, 120 Volt; Lightweight and compact. For use with NNTN4496AR only.

### Battery Maintenance System<sup>plus</sup> (BMS<sup>plus</sup>)

Using interchangeable battery adapters (sold separately), the BMS<sup>plus</sup> is capable of charging and discharging, analyzing, conditioning and cycle test on batteries; tracking battery voltage and capacity (mAh). The BMS<sup>plus</sup> offers a 3 year warranty. Its easy-to-use design supports hundreds of 2-way, cellular, and camcorder batteries with printer port\* (Serial-RS-232C port – uses female 9-pin to male 25-pin cable).



WPLN4079BR

**WPLN4079BR** Six-Station, 110V AC, 50/60 Hz

**WPLN4080BR** Six-Station, 230V AC, 50/60 Hz

**NDN4005B** Three-Station, 110V AC, 50/60 Hz (does not support Li-ion or 3-cell batteries)

**NDN4006B** Three-Station, 230V AC, 50/60 Hz (does not support Li-ion or 3-cell batteries)

#### BMS<sup>plus</sup> Field Upgrade Kit

**WPPN4085BR** BMS<sup>plus</sup> Field Upgrade Kit for WPLN4079AR, **WPLN4080AR** and WPLN4081AR allows these units to support Li-ion battery chemistries

#### Battery Maintenance System<sup>PLUS</sup> Adapters

**RRDN5768A** BMS<sup>plus</sup> Adapter Plate, Li-ion

**RRDN5770A** BMS<sup>plus</sup> Adapter Plate, NiCd

\* Compatible with the STAR Micronics SP200 series printers, available from any STAR Micronics distributor, and other printers with STAR emulation.

# CP150/200 & PR400 Series

## Portable Accessories

### Battery Optimizing System II (BOS II)



WPLN4124AR

No other battery analyzer matches the speed, accuracy, and versatility of the Battery Optimizing System II. Ideal for large fleet, public safety, and all other users who rely on their battery performance. Now with increased power, more sophisticated programming options, and easier to use navigation paths, optimizing your batteries was never easier. Key features include:

- Support for NiCd, NiMH, Li-ion, and SLA batteries
- 100 watt power supply and programmable from 100 mA to 4 amps per station
- Interchangeable adapters accommodate all major brands
- Includes a variety of user programs and allows for customizable programming
- Proprietary recondition cycle restores NiCd and NiMH batteries
- Increased processing power and testing resolution – including a three minute Quicktest that measures the battery's State of Health (SoH)
- Printer output for reports and labels
- Three year warranty

**WPLN4124AR** BOS II, Four-Station, 100-240V AC (US line cord)

**WPLN4125AR** BOS II, Four-Station, 100-240V AC (UK/Euro line cords)

### BOS II Battery Adapter

**RRDN5769A** BOS II Adapter Plate, NiCd, NiMH, Li-ion

### Carry Accessories

#### Carrying Cases

A variety of carrying accessories are available for comfort and convenience. The carrying cases are available in sizes designed to fit radios with a battery and permit audio to be heard clearly.



RLN5385B

#### Non-Display Models

**RLN5383A** Leather Case with Belt Loop and D-Rings

**RLN5384B** Leather Case with 2.5-Inch Swivel and D-Rings

**RLN5385B** Leather Case with 3-Inch Swivel and D-Rings

**HLN9701B** Nylon Case with Belt Loop and D-Rings



RLN5642A

#### Limited Display Models

**RLN5640A** Leather DTMF Case with Belt Loop and D-Rings

**RLN5641A** Leather DTMF Case with 2.5-Inch Swivel and D-Rings

**RLN5642A** Leather DTMF Case with 3-Inch Swivel and D-Rings

**HLN9701B** Nylon Case with Belt Loop and D-Rings



HLN9701B

#### Full Display Models

**RLN5498A** Soft Leather Case with Belt Clip

**RLN5496A** Leather Case with Swivel - Full Keypad Models Only

**RLN5497A** Leather Case with Swivel - Limited Keypad Models Only

**HLN9701B** Nylon Case with Belt Loop and D-Rings

#### Carrying Strap

**NTN5243A** Shoulder Carry Strap; for use with Carry Cases with "D" rings

**RLN5716A** T-Strap for Leather Cases

# CP150/200 & PR400 Series

## Portable Accessories

### Carry Accessories

#### Belt Loops and Clips

**4280483B03** 2.5-Inch Belt Swivel Loop

**4280483B04** 3-Inch Belt Swivel Loop

**RLN5644A** Spring Action 2-Inch Belt Clip

**HLN8255B** Spring Action 3-inch Belt Clip



RLN5644A

#### Waterproof Bag

**HLN9985B** Waterproof Bag; includes a large carry strap

#### Chest Pack

This lightweight harness is designed for a safe and secure means of carrying portable radios in a variety of applications and environments. Includes a radio holder, pen holder and secured pocket for spare batteries, tools, and other communication devices. Can be comfortably worn on the chest, with adjustable straps to fit most body shapes and heights.



HLN6602A

**HLN6602A** Universal Chestpack

**1505596Z02** Replacement Strap for HLN6602/RLN4570A



RLN4570A

#### Break-A-Way Chest Pack

All the features of the original Universal Chest Pack (HLN6602A) plus break-a-way tabs that allow the entire pack to be pulled off with approximately 10 lbs. of pressure. For use with PR400 only.

**RLN4570A** Break-a-Way Chest Pack with Radio Holder; Pen Holder and Velcro Secured Pouch

### Carry Accessories

#### RadioPAK™



RLN4815A

Worn around the waist, it holds Two-way radios, iDEN® portables or cellular phones...keeping them right at hand. Includes a separate 6 x 8 inch zippered pouch for other on-the-job necessities. Adjustable nylon weave belt; fits both men and women.

**RLN4815A** RadioPAK Radio/Utility Case

**4280384F89** Universal RadioPAK belt lengthener, fits waists larger than 40"

#### Portable Radio Hangers

Portable Radio Hangers slide over and hang from the vehicle panel. Radio belt clip required.

**TDN9327A** Portable Radio Hanger. For door panels up to 2.75 inches.

**TDN9373A** Portable Radio Hanger. For door panels 2.75 to 3.25 inches.



TDN9327A



TDN9373A

# CP150/200 & PR400 Series

## Portable Accessories

### Audio Accessories

#### Remote Speaker Microphone

Allows you to talk and listen without removing the radio from the belt, case or charger. Ideal for high noise level environments. This water resistant compact unit has a coiled cord, PTT switch and black cover clothing clip.

##### HMN9030A\*

Remote speaker microphone

##### HKN9094A\*

Replacement Coiled Cord for HMN9030A



HMN9030A



RLN4294A



RLN4295A

#### Epaulet Strap

Black leather epaulet strap secures remote speaker microphone to epaulet of shirts or jackets and attach around cord or back of microphone. Allows reliable communications in hostile environments with velcro or clip style strap.

**RLN4294A** Velcro Epaulet Strap

**RLN4295A** Small clip epaulet strap

### Audio Accessories

#### Surveillance Kits

Surveillance accessories allow the user to privately receive communications with the earpiece and are ideal when environments require discrete communications.

**HMN9727B\*** Receive-only Surveillance Kit, beige (single-wire)

**RLN4894A** Receive-only Surveillance Kit, black (single-wire)

**RLN5198AP** Beige Two-wire Surveillance Kit with Clear Comfortable Acoustic Tube – Resale Packaged



RLN4894A



HMN9754D

**HMN9752B\*** Receive-Only Earpiece with Volume Control (1-Wire). Beige.

**HMN9754D\*** Earpiece with Microphone and Push-to-Talk Combined (2-Wire). Beige.

**RLN4895A** Earpiece with Microphone and Push-to-Talk Combined (2-Wire). Black

\*Intrinsically Safe with PR400 only.

# CP150/200 & PR400 Series

## Portable Accessories

### Audio Accessories

#### Surveillance Kits - With Extended-Wear Comfort Earpiece

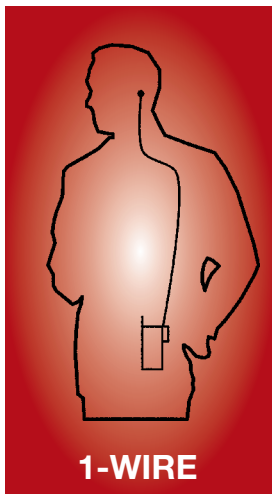
These kits include an extended-wear comfort earpiece that has a rubber eartip and clear, comfortable acoustic tube. Users hear transmissions clearly, while the clear tube provides a discreet appearance.

**RLN5318A** Comfort Earpiece with Microphone and Push-to-Talk Combined (2-Wire). Black.

**RLN5317A** Comfort Earpiece with Microphone and Push-to-Talk Combined (2-Wire). Beige.

#### Surveillance Kit Replacement Accessories

**5080370E97** Standard rubber eartips, pack of 25, Clear



### Audio Accessories

#### Noise Kits

Lightweight translucent tube attaches to Motorola surveillance accessories. Clothing clip prevents the accessory from being pulled from the ear due to body movement or head rotation.

**NTN8370A** Extreme noise kit, includes 2 foam earplugs for loud environments, provides 24dB of noise reduction

**NTN8371A** Low noise kit, includes rubber eartip for low noise environments, does not provide hearing reduction



NTN8370A

**5080369E39†** Extra Loud Earphone. Beige.

**5080370E91†** Extra Loud Earphone. Black.

**5080370E97** Standard Rubber Eartips, Clear.

**5080384F72** Replacement foam plugs; pack of 50 (For use with NTN8370A) Noise Reduction Rating = 24dB

**5080371E73** Replacement standard rubber eartips (for use with NTN8371A), beige

† Extra Loud Earphone exceeds OSHA limits.

# CP150/200 & PR400 Series

## Portable Accessories

### Audio Accessories

#### Clear Comfortable Earpiece

The clear comfortable earpiece forms to the inside of your ear and is perfect for low noise environments. Compatible with the NTN8371A, clear acoustic tube assembly, and most surveillance kits (1-, 2-, and 3-wire). This earpiece is made of easy to clean chemically inert, hypoallergenic material. Does not provide hearing protection. There are 3 items needed to make this product work:

1. Clear comfortable earpiece
2. Clear acoustic tube assembly (NTN8371A)
3. Surveillance kits

**RLN4760A** Small custom earpiece, right ear

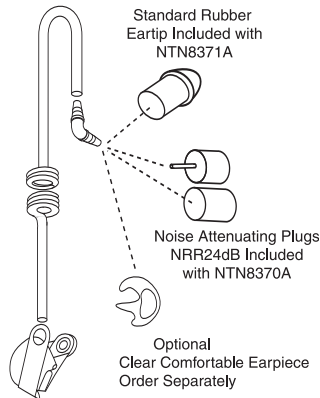
**RLN4763A** Small custom earpiece, left ear

**RLN4761A** Medium custom earpiece, right ear

**RLN4764A** Medium custom earpiece, left ear

**RLN4762A** Large custom earpiece, right ear

**RLN4765A** Large custom earpiece, left ear



Acoustic Tube with Earphone



### Audio Accessories

#### Ear Microphone System (EMS)

This compact, lightweight unit picks up sound through bone vibrations in the ear canal. The miniature earpiece leaves the hands free and face unobscured, good for rescue and emergency personnel that must retain the ability to help, hear and speak directly to others... those not on the communication system. EMS may be worn with protective masks without reduction in clarity of sound. It's ideal for high noise environments.

**BDN6646C\*** Standard EMS with Push-to-Talk Interface Module. For noise levels up to 95dB.

**BDN6706B\*** Standard EMS with Voice-Activated Interface Module. For noise levels up to 95dB.



\*Intrinsically Safe with PR400 only.



# CP150/200 & PR400 Series

## Portable Accessories

### Audio Accessories

#### Ear Microphone System (EMS) (cont'd)

##### Optional Accessories for the EMS

**0180358B38\*** Remote Push-to-Talk Ring Switch

**0180300E83\*** Remote Push-to-Talk Body Switch

**0180358B32** Earholder, Black, size small.  
Secures Ear Microphone in ear.

**0180358B33** Earholder, Black, size medium.  
Secures Ear Microphone in ear.

**0180358B34** Earholder, Black, size large.  
Secures Ear Microphone in ear.

**0180358B35** Earholder, Clear, size small.  
Secures Ear Microphone in ear.

**0180358B36** Earholder, Clear, size medium.  
Secures Ear Microphone in ear.

**0180358B37** Earholder, Clear, size large.  
Secures Ear Microphone in ear.

**4280369E44** Replacement Belt Clip with Screws

**5080358B28** Eartips. Black, size medium. Pack of 10.

**5080358B29** Eartips. Black, size large. Pack of 10.

**5080358B30** Eartips. Beige, size medium. Pack of 10.

**5080358B31** Eartips. Beige, size large. Pack of 10.



0180358B33

### Audio Accessories

#### Flexible Ear Receiver

Single wire, receive only earpiece provides discrete receipt of communication. Adjustable earloop fits comfortably and securely outside of the ear. Security clamp is recommended and must be ordered separately.

**BDN6720A** Black Flexible ear receiver earpiece without volume control

**7580372E11** Replacement Foam Ear Cushion for BDN6720A



BDN6720A

#### Pellet Style Earpieces



HMN9036A

The Pellet Style Earpiece allows the user to receive communication discreetly and is comfortable for extended wear use.

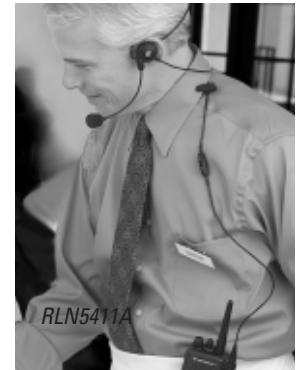
**HMN9036A** Earbud with Microphone and Push-to-Talk (two wire and not recommended for use with PL codes above 225 Hz)

**HLN9132A** Single-Wire Receive Only Earbud (single wire and not recommended for use with PL codes above 225 Hz)

#### Ultra-light Headset

Designed with a sleek new look that fits right in with Restaurant and Hospitality industries. Lightweight, behind-the-head style design provides comfort and mobility. Includes flexible boom microphone and in-line Push-to-Talk button.

**RLN5411A** Ultra-light Headset



RLN5411A

\*Intrinsically Safe with PR400 only.

# CP150/200 & PR400 Series

## Portable Accessories

### Audio Accessories

#### Ultra-light Earpiece

Small and lightweight, this earpiece clips comfortably to the ear and features a boom microphone and in-line PTT.

**PMMN4001A** Ultra-light earpiece with microphone and push-to-talk



PMMN4001A

#### Lightweight Headsets

Lightweight headsets allow for high clarity, hands free, discrete two way communications while adding comfort for extended wear in moderate noise environments. No adapter required.



RMN4016A

**RLN5411A** Ultra-Light, Behind-the-Head with Boom Microphone and In-line Push-to-Talk

**RMN4016A\*** Lightweight single muff headset with swivel boom microphone for left or right ear operation with in line PTT button

**HMN9013B\*** Lightweight adjustable headset with swivel boom microphone

**REX4648A** Replacement foam earpad and windscreen kit for RMN4016A and HMN9013A,

### Audio Accessories

#### NFL® Style Lightweight Headset

This single-muff headset takes its styling cue from the Motorola headsets used by NFL coaches in football stadiums around the country. Ergonomically-designed for all-day comfort, it's ideal for both sports and special events. Features a noise canceling boom microphone and in-line Push-To-Talk. Large Motorola logo adds a sporty appearance.

**RLN5238B** Single-Muff, Lightweight Headset with Swivel Boom Microphone

**RMN5047A** Single-Muff, Heavy-Duty Headset with Swivel Boom Microphone. Not compatible with the PR400



RLN5238A



RMN5047A

#### Medium Weight Headsets

Medium weight headsets offer high clarity sound with the additional hearing protection necessary for providing consistent, clear two way radio communication in harsh, noisy situations.



HMN9021A

**HMN9021A** Medium weight muff headset, over the head noise reduction rating = 24dB (HLN8096 security clamp recommended ordered separately)

*\*Intrinsically Safe with PR400 only.*



# CP150/200 & PR400 Series

## Portable Accessories

### Audio Accessories

#### Medium Weight Headsets

**HMN9022A** Medium weight dual muff headset, behind the head (can be worn with helmet); noise reduction rating = 24dB (HLN8096 security clamp recommended ordered separately)



HMN9022A

**BDN6647G** Medium weight single speaker headset with boom microphone (HLN8096 security clamp recommended - order separately complete with internal VOX)

**3580371E59** Replacement windscreen (for boom microphone); for use with BDN6647G

**5080371E66** Replacement earpad for BDN6647G

#### Racing Headset

Same headset worn by pit crews on the CART racing circuit. Heavy duty, behind the head headset with noise cancelling swivel boom microphone. Noise reduction rating = 24dB (adapter cable required and sold separately)

**RMN5015A** Racing Headset

**RKN4090A** Adapter Cable for Racing Headset (RMN5015)



RMN5015A

### Audio Accessories

#### Heavy Duty Headsets

Heavy duty headsets include noise-cancelling boom microphones and can be worn with or without a hardhat. The Push-To-Talk switch is located on the earcup. The VOX module is contained within the headset on voice activated units.



BDN6648C

**BDN6648C** Heavy duty headset with noise cancelling boom microphone, noise reduction rating = 24dB

#### Accessory Retainer Clip

**RLN5500A** Accessory Retainer Clip. Holds audio accessory securely to radio.

#### Hardhat Mount Headset

Ideal for two-way communication in high-noise environments; mounts easily to hardhats with slots, excellent noise reduction of 22dB. Easily replaceable ear seals are filled with liquid and foam combination to provide excellent sealing comfort. 3-foot coiled cord assembly. Adapter Cable required.

**RMN4051B** Two-way, Hardhat Mount Headset with Noise-Cancelling Boom Microphone

**RKN4094A** Adapter Cable with In-Line Push-to-Talk. For use with RMN4051B.



RMN4051B

# CP150/200 & PR400 Series

Antennas,  
Batteries,  
Manuals

## Portable Antennas

### VHF

#### NAD6502AR

6" Heliflex 146-174 MHz

#### HAD9742A

3" Stubby 146-162 MHz

#### HAD9743A

3" Stubby 162-174 MHz



### UHF

#### NAE6483AR

6" Flexible whip 403-520 MHz

#### NAE6522AR

6" Flexible whip 438-470 MHz

#### 8505816K26

UHF Heliflex Stubby Antenna,  
470-512 MHz



## Portable Batteries

### Nickel-Cadmium Premium

Part Number: **NNTN4496AR**

Volts: 7.5

Avg. mAh: 1100

Height: 4-3/4"

Intrinsically Safe: No

## Portable Batteries

### Lithium-ion Premium

Part Number: **NNTN4497AR**

Volts: 7.2

Avg. mAh: 1800

Height: 4-3/4"

Intrinsically Safe: No

Part Number: **NNTN4970A**

Volts: 7.2

Avg. mAh: 1600

Height: 4-3/4"

Intrinsically Safe: No

### Nickel Metal Hydride Premium

Part Number: **NNTN4851A**

Volts: 7.5

Avg. mAh: 1400

Height: 4-3/4"

Intrinsically Safe: No

Part Number: **NNTN4852A\***

Volts: 7.5

Avg. mAh: 1300

Height: 4-3/4"

\*Intrinsically Safe: Yes, with PR400 only

## Programming Software

**RVN4191A**

Commercial Series Programming Software

## Manuals

**6880309N61**

Basic Service Manual

**6881096C24**

PR400 Basic Service Manual

**6881096C25**

PR400 Detailed Service Manual

**6881096C26**

PR400 User Guide Limited Keypad

**6881096C27**

PR400 User Guide Non-Display

Over 7 million customers have made MyRadioMall.com America's #1 choice when it comes to dependable and reliable Motorola Communications at fantastic prices.

We are now celebrating our 12th year of online service and the best is yet to come.



Advanced Radio Systems, Inc  
8726 NW 26 Street #6  
Miami, Florida 33172  
Voice Numbers: 305-884-1795  
Toll Free: 1-866-900-Mall (6255)  
Fax Number: 305-884-1985

12/25/2006