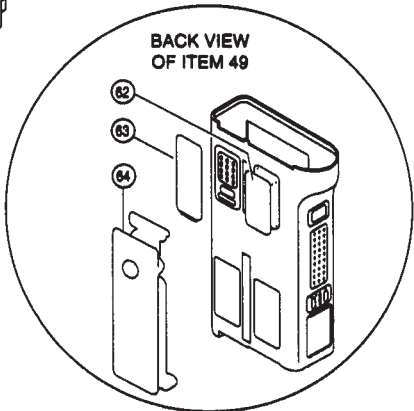
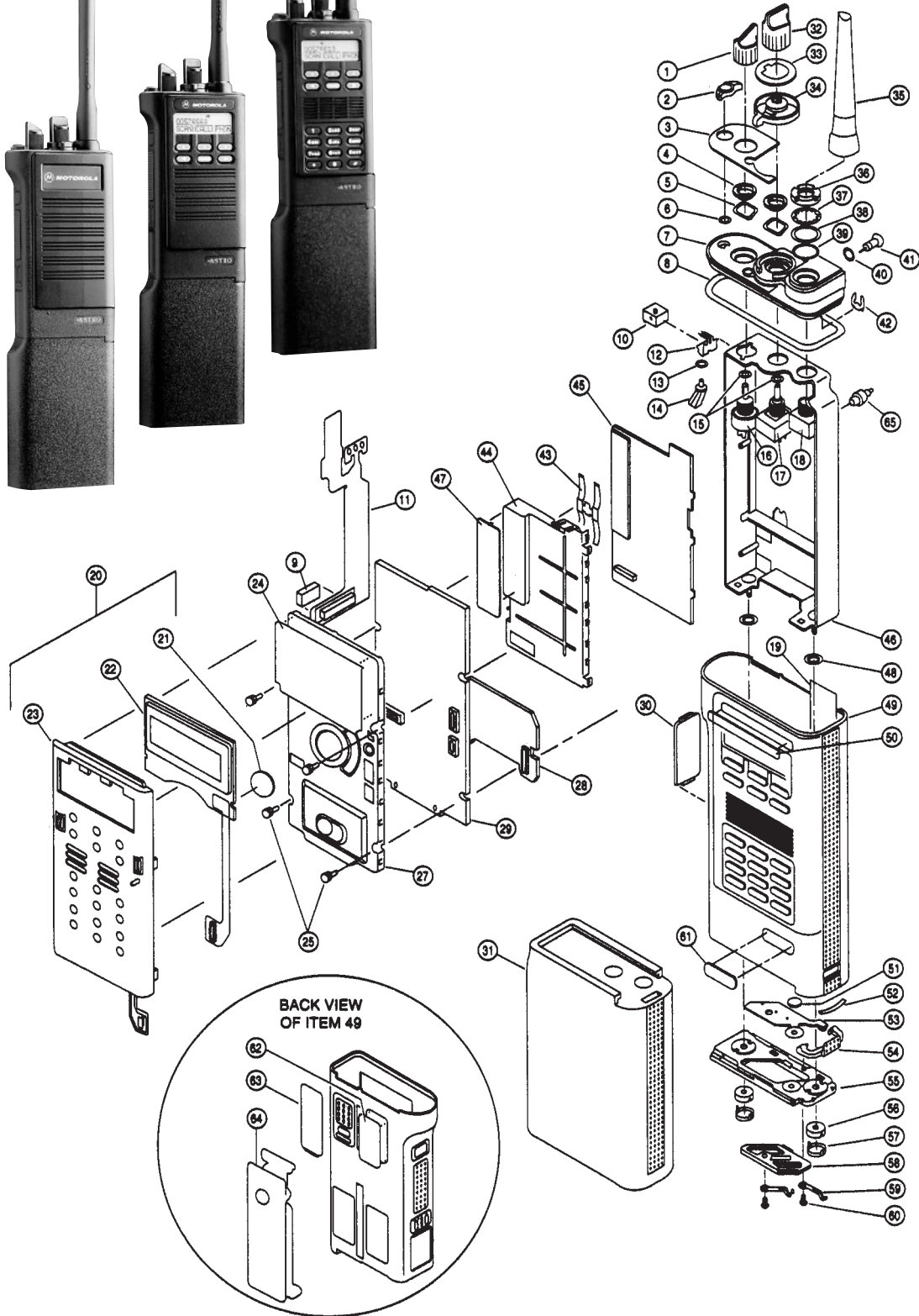


# ASTRO Digital SABER Series

## Parts List



# ASTRO Digital SABER Series

## Parts List

REF. NO.	PART NO.	DESCRIPTION
1	<b>3602631J06</b>	Knob, On/Off/Volume
2	<b>NTN5068A</b>	Kit, Programmable Button and Switch; includes item 6
3	<b>1302647J01</b>	Escutcheon
4	<b>0205163Q02</b>	Nut, Spanner (2 req'd)
5	<b>0402838X01</b>	Washer, Special (2 req'd)
6	----	"O" Ring, Switch; part of item 2 – not available
7	<b>6402641J04</b>	Control Top
8	<b>3205082E80</b>	"O" Ring, Control Top
9	<b>7505501R04</b>	Pad
10	<b>4005221R03</b>	Switch, Top Button
11	<b>8402805X04</b>	Flex, Control Top/PTT
12	<b>0705319R02</b>	Clip, Switch Retaining
13	<b>3205082E61</b>	"O" Ring, Light Pipe
14	<b>6102638J01</b>	Lens, Light Pipe
15	<b>3205082E01</b>	"O" Ring, (2 req'd)
16	<b>1805629V03</b>	Potentiometer, On/Off/Volume Control
17	<b>4002622J03</b>	Switch, Mode/Zone Selector
18	<b>4005187W02</b>	Switch, Antenna
19	<b>1405182M03</b>	Insulator, Universal Connector
20	<b>NTN7637C</b>	Shield, Non-Display Front (Includes items 21 and 23, not 22)
	or	
	<b>NTN7638C</b>	Shield, Display Front (Includes items 21 thru 23) item has been cancelled
21	<b>1405568W01</b>	Insulator, Speaker Magnet
22	<b>0105950T02</b>	Assembly, Display Board; includes Display Flex, LCD, and Display Circuit Board
23	<b>NTN7637C</b>	Assembly, Front Shield (includes Speaker/Microphone Flex and item 21)
24	----	Insulator, Controller Shield – not available
25	<b>0305150X01</b>	Screws, Controller Shield (4 req'd)
26	----	Not Used
27	<b>2605844V02</b>	Shield, Controller
28	----	Board Kit, Option; Typical – not available
29	<b>NTN7749G</b>	Board Kit, Controller
30	<b>4505022P02</b>	Lever, PTT
31	<b>NTN4593DR</b>	Battery, Medium Capacity NiCd
	or	
	<b>NTN4595DR</b>	Battery, Ultra-High Capacity NiCd
	or	
	<b>NTN7014BR</b>	Battery, Medium Capacity NiMH
32	<b>3602632J02</b>	Knob, Mode/Zone Selector
33	<b>1302646J01</b>	Escutcheon
34	<b>4502640J01</b>	Lever, Switch
35	<b>8505518V01</b>	Antenna, VHF Wide-Band Helical (136-174 MHz)
	or	
	<b>8505644V01</b>	Antenna, VHF Helical (136-151 MHz)
	or	
	<b>8505644V02</b>	Antenna, VHF Helical (151-162 MHz)
	or	

REF. NO.	PART NO.	DESCRIPTION
	<b>8505644V03</b>	Antenna, VHF Helical (162-174 MHz)
	or	
	<b>8505644V04</b>	Antenna, UHF Helical (403-435 MHz)
	or	
	<b>8505644V05</b>	Antenna, UHF Helical (435-470 MHz)
	or	
	<b>8505644V06</b>	Antenna, UHF Helical (470-512 MHz)
	or	
	<b>8505241U05</b>	Antenna, UHF Wide-Band Whip (403-512 MHz)
	or	
	<b>8505241U03</b>	Antenna, 800 MHz Whip
	or	
	<b>NAF4000B</b>	Antenna, 800 MHz Dipole
	or	
	<b>8505241U06</b>	Antenna, 800 MHz Stubby Quarterwave
36	<b>0205591R01</b>	Nut, Antenna Switch
37	<b>0400139731</b>	Lockwasher
38	<b>0405659W01</b>	Washer, Antenna Switch
39	<b>3205082E21</b>	"O" Ring, Antenna Switch
40	<b>3205082E59</b>	"O" Ring, Remote Connector
41	<b>0905702V02</b>	Plug, External Antenna
42	<b>4205622W04</b>	Clip, RF Ground
43	<b>4105875U01</b>	Clip, PA (part of item 44) item has been cancelled
44	----	Shield, Center (includes item 43) – not available
45	<b>NLD8892R</b>	Board Kit, RF (VHF)
46	<b>0105953T12</b>	Chassis (includes 2 stud screws)
47	----	Insulator, RF Shield – not available
48	<b>3205422Q01</b>	Seal, Stud (2 req'd)
49	<b>REX1105A</b>	Housing Kit, Model I
	or	
	<b>REX1104A</b>	Housing Kit, Model II
	or	
	<b>REX1103A</b>	Housing Kit, Model III (shown) Note: housing kits include items 19, 30, 50 thru 60, 62, 67 and the Universal Flex
50	<b>3305521W02</b>	Label, Nameplate
51	<b>3205472M02</b>	Seal, Port
52	<b>4105775Q01</b>	Spring, Latch
53	<b>3205783T02</b>	Elastomer, Baseplate
54	<b>5505333Q01</b>	Latch, Battery
55	<b>6405847N03</b>	Baseplate
56	<b>0205415Q03</b>	Nut, Slotted Spanner (2 req'd)
57	<b>4205416Q01</b>	Cap, Nut Retaining (2 req'd)
58	<b>4205669T01</b>	Retainer, Baseplate
59	<b>3905453Q01</b>	Contact, Power (2 req'd)
60	<b>0305706Q02</b>	Screw (2 req'd)
61	<b>3305522W01</b>	Label, Astro
62	<b>3305521W03</b>	Label, FLASHport
63	<b>NTN7061A</b>	Kit, Universal Connector Cover
64	<b>NTN7309A</b>	Kit, Belt Clip
65	<b>4505886V03</b>	Actuator, Antenna Switch

## ASTRO Digital SABER Series

## Portable Accessories

### Chargers

#### Single Unit Rapid Universal Tri-Chemistry Chargers

Tri-chemistry chargers support Nickel Cadmium, Nickel Metal Hydride, and Lithium-Ion batteries.

**NTN1667A** 110V Universal Charger

**NTN1668A** 220V Universal Charger

**NTN1669A** 240V Universal Charger



NTN1667A

#### impres™ Smart Energy System



WPLN4111AR

The impres smart energy system ensures maximum talk-time and optimized battery cycle life through the use of its advanced charging algorithm and automatic reconditioning features. The smart energy system reconditions impres batteries when they need it automatically, keeping them in peak condition. It's advanced conditioning features allow batteries to be safely left on

the charger for extended periods of time without incurring the damaging heat build-up which can rob batteries of cycle life. In addition, batteries left on the charger are kept fully charged so they are always ready when you need them. The impres system reconditions batteries when they need it based on their usage pattern. Talk time and cycle life are optimized and the need for manual maintenance programs reduced or eliminated. This rapid-rate tri-chemistry charging system will also charge existing legacy batteries and supports multiple radio platforms including Saber, XTS, and HT1000 series portables.

**WPLN4108BR** impres Smart Energy System Multi-Unit Charger

**WPLN4109BR** impres Smart Energy System Multi-Unit Charger 220V/240V

**WPLN4111AR** impres Smart Energy System Single-Unit Charger

**5889254E01** Battery Adapter (required for batteries NTN4537, NTN4592, NTN7014 and NTN8818)

### Chargers

#### impres™ Multi-Unit Charger with Display Modules

The impres Multi-Unit Charger with Charger Display Modules has a two-line LCD screen for each of its six charger pockets that provides users with a host of valuable battery information. When a calibrated impres battery is inserted into a pocket, it provides the current battery mAh and percent of rated capacity which allows the user to immediately know the status of the battery without having to charge and discharge the battery. Additionally, the unit displays the remaining charge time (NiCd and NiMH only) which lets the user know when the impres battery will be ready for use. Additional information displayed includes: battery serial and part number information, battery chemistry, voltage and charge status and the version of the charger and display modules.

**WPLN4130AR** Multi-Unit Charger with Display Modules

**RLN5382A** Charger Display Module for impres multi-unit charger version 1.3 or later

**RLN5591A** Charger Display Module for impres multi-unit charger version 1.2 or earlier



WPLN4130AR

#### impres™ Bundle Packs

Provide significant savings on the impres products by bundling a charger and two batteries together as a smart energy system package.

**RLN5261A** impres Charger with two HNN9033AR batteries

**RLN5444B** impres Multi-Unit Charger with six HNN9033AR Batteries

**RLN5264A** impres Charger with two HNN9034AR batteries

**RLN5442A** impres Multi-Unit Charger with six HNN9034AR Batteries

## ASTRO Digital SABER Series

## Portable Accessories

### Motorola Conditioning Charger (MCC)

#### Motorola Conditioning Chargers

The MCC utilize negative pulse charging technology that will help extend battery life and enhance battery operation. It will safely condition and charge your specified NiCd and NiMH batteries in approximately an hour. The MCC controls heat buildup due to its charging and termination algorithms and maintenance mode allows batteries to be safely left on the charger for extended periods of time. And now there is an Instant Fault Detection (IFD) feature which detects faulty radio batteries in seconds, which notifies the user that the battery will not operate at peak performance. Optional accessories are available allowing these chargers to be used in both AC and DC environments providing optimal charging flexibility.

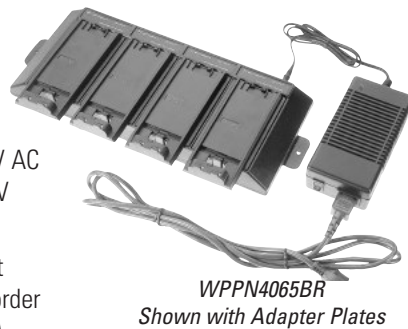
**WPPN4002BR** Base Charge Unit Only, 110V AC (order adapter plate separately)

**WPPN4006AR** Base Charge Unit Only, 220V AC (order adapter plate separately)

**WPPN4001BR** Adapter Only, 7V

**WPLN4096AR** Base 110V AC (includes Base Unit and 7V adapter)

**WPPN4065BR** Multi Unit Charger, 4-Station Base (order adapter plates separately)

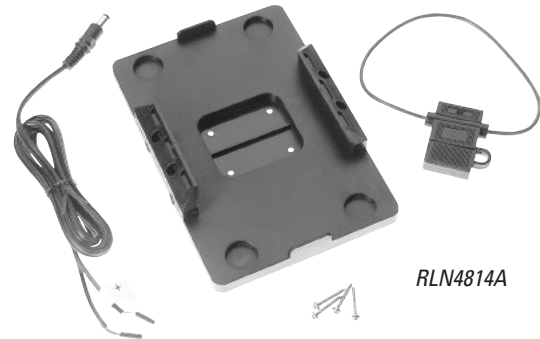


### Motorola Conditioning Charger (MCC)

**3080384G15** Cigarette Lighter Adapter Cord

**3080384M21** DC Hard Wire Cable, for vehicular installation (included in RLN4814A)

**RLN4814A** Vehicular Mounting Bracket for single unit Motorola Conditioning Charger



#### Porta-Pocket Charger

The Porta-Pocket Charger provides a regular rate 16-hour charge to nickel cadmium (NiCd) batteries.

**NTN5563B** Porta-Pocket Charger, 110V AC, regular rate, includes AC power supply/cable

**NKN6289A** 12V DC Ignition Wiring Cable, includes dash mount bracket

**NKN6290B** 12V Cigarette Lighter Receptacle Cable, includes dash mount bracket



## ASTRO Digital SABER Series

## Portable Accessories

### Battery Maintenance System<sup>plus</sup> (BMS<sup>plus</sup>)

#### Increase the useful life of your batteries.

Using interchangeable battery adapters (sold separately), the BMS<sup>plus</sup> is capable of charging and discharging, analyzing, conditioning and cycle test on batteries; tracking battery voltage and capacity (mAh).

The BMS<sup>plus</sup> offers a 3 year warranty. Its easy-to-use design supports hundreds of 2-way, cellular, and camcorder batteries with printer port\* (Serial-RS-232C port – uses female 9-pin to male 25-pin cable).



WPLN4079BR

**WPLN4079BR** Six-Station, 110V AC, 50/60 Hz

**WPLN4080BR** Six-Station, 230V AC, 50/60 Hz

**WPPN4085AR** BMS<sup>plus</sup> field Upgrade Kit or WPLN4079AR, WPLN4080AR, and WPLN4081AR; allows these units to support Li-ion battery chemistries

**NDN4005B** Three-Station, 110V AC 50/60 Hz (does not support Li-ion or 3-cell batteries)

**NDN4006B** Three-Station, 230V AC 50/60 Hz (does not support Li-ion or 3-cell batteries)

#### BMS<sup>plus</sup> Adapters

**TDN9434A** NiCd Adapter, 7.5V for use with NTN7058A

**WPPN4066AR** NiCd and NiMH adapter, 7.5V compatible with same batteries as TDN9450A adapter plus NTN8251AR

**WPPN4087AR** NiCd and NiMH Adapter, 7.5V compatible with same batteries as TDN9450A adapter plus NTN8251AR

**WPPN4091AR** Li-ion Only Adapter

**TDN9450A** NiCd Adapter, 7.5V, for use with NTN4537CR, NTN4538DR, NTN4592CR, NTN4593DR, NTN4595DR, NTN4596DR and NTN4992CR

### Battery Optimizing System II (BOS II)



WPLN4124AR

No other battery analyzer matches the speed, accuracy, and versatility of the Battery Optimizing System II. Ideal for large fleet, public safety, and all other users who rely on their battery performance. Now with increased power, more sophisticated programming options, and easier to use navigation paths, optimizing your batteries was never easier. Key features include:

- Support for NiCd, NiMH, Li-ion, and SLA batteries
- 100 watt power supply and programmable from 100 mA to 4 amps per station
- Interchangeable adapters accommodate all major brands
- Includes a variety of user programs and allows for customizable programming
- Proprietary recondition cycle restores NiCd and NiMH batteries
- Increased processing power and testing resolution – including a three minute Quicktest that measures the batteries State of Health (SoH)
- Printer output for reports and labels
- Three year warranty

**WPLN4124AR** BOS II, Four-Station, 100-240V AC (US line cord)

**WPLN4125AR** BOS II, Four-Station, 100-240V AC (UK/Euro line cords)

#### BOS II Adapter Plates

**RL-772703** Ruggedized Adapter, SABER-R

**RL-71203** Standard Battery Adapter, SABER

\* Compatible with the STAR Micronics SP200 series printers, available from any STAR Micronics distributor, and other printers with STAR emulation.



## ASTRO Digital SABER Series

## Portable Accessories

### Carrying Accessories

A variety of carrying accessories are available for your comfort and convenience. The carrying cases are available in sizes designed to fit your radio and battery and permit audio to be heard clearly.

#### Medium Capacity Nickel Cadmium Batteries



NTN5644A

**NTN5578A** Leather Standard Snap Carry Case with Belt Loop (order T-Strap separately)

**NTN5644A** Leather Swivel Snap Carry Case (order T-strap and swivel belt loop separately)

**NTN8124A** High Activity Leather Swivel Snap Carry Case (order with NTN8039 for swivel belt loop and T-strap separately)

**NTN7574B** Nylon Standard Snap Carry Case with Belt Loop (includes T-strap)



NTN8124A

#### Ultra High Capacity Nickel Cadmium Batteries

**NTN7572A** Leather Standard Snap Carry Case with Belt Loop (order T-strap separately)



NTN7572A

**NTN7573A** Leather Swivel Snap Carry Case (order T-strap and swivel belt loop separately)

**NTN8125A** High Activity Leather Swivel Snap Carry Case (order T-strap and either NTN8039 or NTN8040 swivel belt loop separately)

**NTN7391A** Nylon Standard Snap Carry Case for use with ruggedized radios (includes T-strap)

**NTN7847A** Nylon Swivel Snap Carry Case for use with ruggedized radios with 2.5" (swivel belt loop and T-strap included)

**NTN7529B** Nylon Standard Snap Carry Case with Belt Loop (includes T-strap)

### Carrying Accessories

#### T-Straps

**NTN7758A** Leather case T-Strap

**NTN7846A** Nylon case T-Strap



4282421J06

#### Belt Loops

**4282421J06** 2.5" Leather Swivel Belt Loop

**4205857B01** 3.0" Leather Swivel Belt Loop

#### High Activity Belt Loops

The below listed leather swivel belt loops are for use ONLY with the high activity leather swivel snap carry case.

**NTN8039B** 2.5" Leather Swivel Belt Loop

**NTN8040B** 3" Leather Swivel Belt Loop



NTN8039B

#### High Activity Button

**PHN6141A** Removable "D" button used in conjunction with high-activity belt loop

#### Belt Clip

**NTN7309A** Removable Belt Clip Attachment

#### Carrying Strap

**NTN5243A** Adjustable Black Carrying Strap, attaches to "D" rings on case



NTN5243A

## ASTRO Digital SABER Series

## Portable Accessories

### Carrying Accessories

#### Chest Pack

**HLN6602A** Universal Chest Pack with Radio Holder, Pen Holder, and Velcro Secured Pocket

**1505596Z02** Replacement Strap for HLN6602



HLN6602A

#### Break-a-Way Chest Pack



RLN4570A

All of the same features as the original chest pack (HLN6602A) plus break-a-way tabs that allow the entire pack to be pulled off with approximately 10 lbs of pressure. Perfect for railroads, manufacturing locations, construction sites and anywhere that safety is a concern.

**RLN4570A** Break-A-Way Chest Pack

#### RadioPAK™

It's different from all other holders or cases: more comfortable, more useful, and more stylish. Worn around the waist, it holds two-way, iDEN portables or cellular phones right at hand. Includes a separate 6"x8" zippered pouch for other on-the-job necessities. Adjustable nylon weave belt; fits both men and women.

**RLN4815A** RadioPAK™ Radio/Utility Case

**4280384F89** Universal RadioPAK™ Belt Lengthener; fits waists larger than 40"



RLN4815A

### Audio Accessories

#### Remote Speaker Microphone (RSM)

Allows you to talk and listen without removing the radio from the belt, case or charger. Ideal for high noise level environments. This water resistant compact unit has a coiled cord, PTT switch and back cover clip.

\***NMN6217B** Remote Speaker Microphone with 6" Coil Cord



NMN6217B

#### Public Safety Microphone (PSM)

**NMN6227B** 30" Public Safety Mic with Straight

**NMN6234B** 24" Public Safety Mic with Straight Cord

**NMN6236B** 18" Public Safety Mic with Straight Cord

*Note:* The public safety speaker/mic is not compatible with Saber or System Saber radios and is not recommended for the use with VHF. Antennas are not included with the public safety speaker/mic. The public safety speaker/mic utilizes the same antenna as the Astro Saber

**NTN5581A** Thumbscrew for Standard Screw Replacement



NMN6236B

#### RSM and PSM Accessories

##### Antennas for PSM

**8505309N09** 400-430 MHz

**8505309N10** 440-470 MHz

**8505309N11** 470-512 MHz

##### Velcro Patch

**NLN8410A** Velcro Patch Pin Attachment for Speaker/Microphone Assemblies

\* Intrinsicly safe

# ASTRO Digital SABER Series

## Portable Accessories

### Audio Accessories



RLN4295A

#### Epaulet Strap

Black leather epaulet straps secure remote speaker microphones to epaulet of shirts or jackets and attach around cord to back of microphone.

**RLN4294A** Epaulet Strap, Velcro

**RLN4295A** Epaulet Strap, small clip

#### Miscellaneous Connector Cover

**NTN7061A** Universal Connector Cover



NTN7061A

#### CommPort: Integrated Microphone/Receiver System

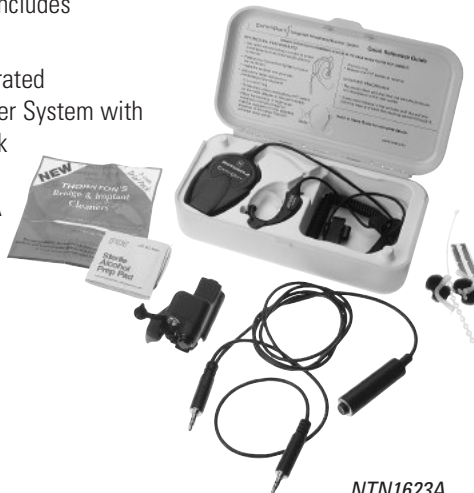
The CommPort system contains a miniature microphone and receiver, and connects to your two-way radio, making it possible to hear and speak under the most adverse conditions. Astro Digital Saber Radios require 4305909W01 coaxial antenna connector; must be ordered separately.

**\*NTN1623A** Integrated Ear Microphone/Receiver System with Palm PTT, includes NTN5664A Hirose adapter.

**\*NTN1721A** Integrated Ear Microphone/Receiver System with Ring PTT, includes NTN5664A Hirose adapter.

**\*NTN1738A** Intergrated Ear Microphone/Receiver System with Snap-on Side PTT; includes NTN5664D adapter

**NNTN4185A** Integrated Microphone/Receiver System with Remote Push-to-Talk Body Switch; includes NTN5664A Hirose adapter



NTN1623A

### Audio Accessories

**NKN6526A** Replacement Snap on side PTT Cable for NTN1738A

**NKN6507A** Replacement Palm PTT Cable for NTN1623A

**NKN6524A** Replacement Ring PTT Cable for NTN1721A

**NNTN4189A** Replacement Remote Push-To-Talk Body Switch

**NTN8821A** CommPort Maintenance Kit, includes replacement ear tubes (quantity 10), windscreens (quantity 2) and microphone seal strips (quantity 10)

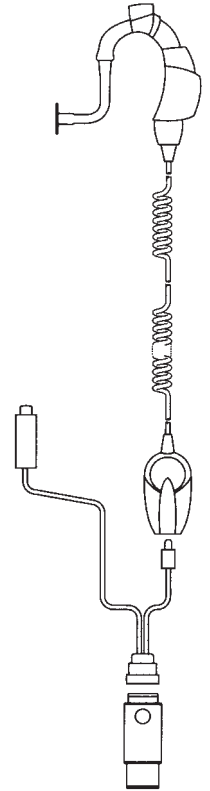
**NTN8986A** Adhesive Pads (quantity 90) for secure attachment to ear

**NTN8988A** Ear Straps (quantity 10), for secure attachment to ear

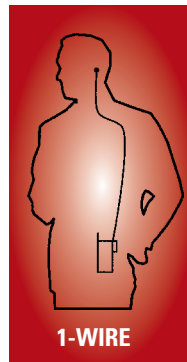
**RLN5037A** Replacement Ear Tubes (Quantity 10)

**4285838B01** Replacement Collar Clip

**4202006A01** Replacement Back Cover Clip



NTN1623A



\* Intrinsicly Safe





# ASTRO Digital SABER Series

## Portable Accessories

### Audio Accessories

#### Surveillance Kits

Surveillance accessories allow the user to privately receive communications with the earpiece and are ideal when environments require discreet communications.

The following Surveillance Kits require NTN5664D adapter.



ZMN6032A

**NSN6050A** Surveillance Kit, Receive-only (1-Wire Kit)

**\*ZMN6032A** Surveillance Kit with Microphone and PTT Combined (2-Wire Kit)

**\*ZMN6031A** Surveillance Kit with Microphone and PTT Separate (3-Wire Kit)



ZMN6031A

**\*†ZMN6038A** Surveillance Kit with Microphone and PTT Combined, Extra Loud Earpiece (exceeds OSHA limits) (2-Wire Kit)

**\*†ZMN6039A** Surveillance Kit with Microphone and PTT Separate, Extra Loud Earpiece (exceeds OSHA limits) (3-Wire Kit)

**NTN5664D** Surveillance Accessory Adapter (with keyload capability). Requires Astro Antenna Adapter, 4305909W01 (order separately.)

### Audio Accessories

#### Noise Kits



NTN8370A

Lightweight translucent tube attaches to Motorola surveillance accessories. Clothing clip prevents the accessory from being pulled from the ear due to body movement or head rotation.

**NTN8370A** Extreme Noise Kit, includes 2 foam earplugs for loud environments, provides 24dB of noise reduction

**NTN8371A** Low Noise Kit; includes rubber eartip for low noise environments, does not provide hearing reduction

**5080384F72** Replacement Foam Plugs; pack of 50 (for use with NTN8370A)

**5080371E73** Beige Replacement Standard Rubber Eartips; for use with NTN8371A, (pack of 25)

**5080371E75** Black Replacement Standard Rubber Eartips; for use with NTN8371A, (pack of 25)

#### Clear Comfortable Earpiece

The clear comfortable earpiece forms to the inside of your ear and is perfect for low noise environments. Compatible with the NTN8371A, clear acoustic tube assembly, and most surveillance kits (1-, 2- and 3-wire). This earpiece is made of easy-to-clean chemically inert, hypoallergenic material. Does not provide hearing protection.

There are 3 items needed to make this product work:

1. Clear Comfortable Earpiece
2. Clear Acoustic Tube Assembly (NTN8371A)
3. Surveillance Kits

**RLN4760A** Small Custom Earpiece, right ear

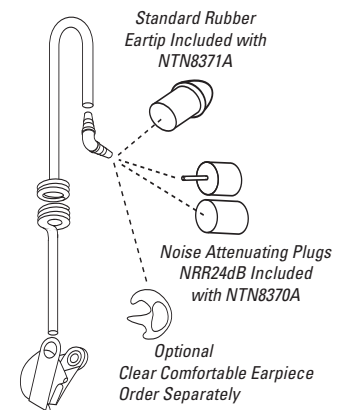
**RLN4763A** Small Custom Earpiece, left, ear

**RLN4761A** Medium Custom Earpiece, right ear

**RLN4764A** Medium Custom Earpiece, left ear

**RLN4762A** Large Custom Earpiece, right ear

**RLN4765A** Large Custom Earpiece, left ear



Acoustic Tube with Earphone

\* Intrinsicly Safe

† Extra Loud Earpiece (exceeds OSHA limits)

## ASTRO Digital SABER Series

## Portable Accessories

### Surveillance Accessories

#### Ear Microphone System (EMS)

This compact unit picks up the voice through bone vibrations in the ear canal. The miniature earpiece leaves the hands free and face unobscured when worn by rescue and hazard protection personnel, who still retain the ability for direct hearing and speaking. For personnel required to wear breathing apparatus, communications with protective masks are as clear as communications without. And its high speech clarity under noisy environments makes it ideal for high noise environments. Available in PTT or Voice Activated (VOX). Interface Module needs to be ordered separately for EMS to work.



**BDN6641A**  
Requires  
interface module,  
sold separately

\***BDN6677A** Ear Microphone for standard noise levels (up to 95 db), black

\***BDN6678A** Ear Microphone for standard noise levels (up to 95 db), beige

\***BDN6641A** Ear Microphone for high noise levels (up to 105 db), grey

#### Interface Modules For EMS



**BDN6643B**

\***BDN6642B** Push-To-Talk Only Interface Module

\***BDN6643B** Push-To-Talk and Voice-Activated Interface Module

#### Optional Accessories for EMS

**0180300E25** Earguard with Adjustable Loop

**0180358B38** Remote Push-To-Talk Ring Switch

### Audio Accessories

**0180300E83** Remote Push-To-Talk Body Switch

**0180358B32** Earholder, Black, Size Small; secures ear mic in ear

**0180358B33** Earholder, Black, Size Medium; secures ear mic in ear

**0180358B34** Earholder, Black, Size Large; secures ear mic in ear



**0180300E83**



**0180358B33**

**0180358B35** Earholder, Clear, Size Small; secures ear mic in ear

**0180358B36** Earholder, Clear, Size Medium; secures ear mic in ear

**0180358B37** Earholder, Clear, Size Large; secures ear mic in ear

**4280369E44** Replaceable Belt Clip with Screws

**5080358B28** Eartips, Black, Size Medium (10 per pack)

**5080358B29** Eartips, Black, Size Large (10 per pack)

**5080358B30** Eartips, Beige, Size Medium (10 per pack)

**5080358B31** Eartips, Beige, Size Large (10 per pack)

#### Lightweight Headsets

Lightweight headset allows for high clarity, hands free, discreet two-way communications while adding comfort for extended wear in moderate noise environments.

\***NMN6050B** Lightweight Headset with Boom Microphone, to be worn on a helmet or safety glasses; requires NTN5913A adapter cable

\***NTN5913A** Headset Adapter Cable with Bayonet Jack

\* Intrinsicly Safe



# ASTRO Digital SABER Series

## Antennas

### Audio Accessories

#### Heavy Duty Headsets

Heavy duty headsets include noise canceling boom microphones and can be worn with or without a hardhat. Headsets are for use in noise levels up to 125dB. The Push-to-Talk switch is located on the earcup. The VOX module is contained within the headset on voice activated units. Heavy duty headsets require radio adapter cable to be ordered separately.

**BDN6645A** Push-To-Talk Headsets with Boom Microphone; requires adapter cable BDN6640A; noise reduction rating =24dB



BDN6645A



BDN6635B

**BDN6635B** Voice Activated (VOX) Headset with Boom Microphone; requires adapter cable BDN6640A; noise reduction rating =24dB

**\*BDN6636B** Voice Activated (VOX) Headset with Throat Microphone; requires adapter cable BDN6640A; noise reduction rating =24dB



BDN6636B

**\*BDN6640A** Radio Adapter Cable

\* Intrinsicly Safe

### Portable Antennas

#### Heliflex Antennas

Motorola Heliflex antennas are specifically engineered for maximum output and greatest communication coverage.

##### VHF Band

**8505644V01**

Helical 136-150.8 MHz

**8505644V02**

Helical 150-162 MHz

**8505644V03**

Helical 162-174 MHz

**8505518V01**

Helical 136-174 MHz

##### UHF Band

**8505644V04**

Helical 403-433 MHz

**8505644V05**

Helical 435-470 MHz

**8505644V06**

Helical 470-520 MHz



8505644V01



8505644V03



8505644V04

## ASTRO Digital SABER Series

## Antennas, Batteries

### Portable Antennas

#### Flexible Whip Antenna

Flexible Whip antennas have a one-piece finish and steel core for optimal radiation characteristics. Provides more comfort when radio is worn on the belt.

##### 8505241U05

Flexible Whip, 403-520MHz, 6"

##### 8505241U03

Flexible Whip, 806-869MHz, 7"

#### Dipole Antennas

Dipole molded antennas are injection molded in lasting polyurethane. The wide skirt at the bottom of the connector protects against damaging environmental elements. The dipole antenna is ideal when strong and solid signal clarity is demanded.

**NAF4000B** Dipole, 806-869MHz, 8"

#### Stubby Antenna

This stubby quarterwave antenna is ideal when radio is worn on the belt because the short antenna is non-obtrusive.

**\*8505241U06** Stubby, 806-941MHz, 4"



### Portable Batteries

#### Nickel-Cadmium Premium

Part Number: **NTN4593DR**  
 Volts: 7.5  
 Avg. mAh: 1100  
 Height: 3-1/4"  
 Intrinsically Safe: No

Part Number: **NTN4595DR**  
 Volts: 7.5  
 Avg. mAh: 1800  
 Height: 4"  
 Intrinsically Safe: No

Part Number: **NTN4657AR**  
 Volts: 7.5  
 Avg. mAh: 1100  
 Height: 4"  
 Intrinsically Safe: No  
 CSA: Yes

Part Number: **NTN4538DR**  
 (Submersible)  
 Volts: 7.5  
 Avg. mAh: 1100  
 Height: 3-1/4"  
 Intrinsically Safe: Yes

Part Number: **NTN4596DR**  
 (Submersible)  
 Volts: 7.5  
 Avg. mAh: 1800  
 Height: 4"  
 Intrinsically Safe: Yes



NTN4596DR

\* 8505241U06 is a broad band antenna that operates in the 800/900MHz band

**ASTRO Digital SABER Series****Batteries****Portable Batteries**Part Number: **NTN4992CR**

(Submersible)

Volts: 7.5

Avg. mAh: 1800

Height: 4"

Intrinsically Safe: Yes

Part Number: **NTN7058AR**(Submersible/  
Ruggedized)

Volts: 7.5

Avg. mAh: 1800

Height: 4"

Intrinsically Safe: Yes



NTN7058AR

**Nickel Metal Hydride Premium**Part Number: **NTN7014BR**

Volts: 7.5

Avg. mAh: 950

Height: 3-1/4"

Intrinsically Safe: No

Part Number: **NTN8251AR**

Volts: 7.5

Avg. mAh: 1650

Height: 3-1/4"

Intrinsically Safe: Yes

**Portable Batteries****Lithium-ion Premium**Part Number: **NTN8818A**

Volts: 7.2

Avg. mAh: 1700

Height: 2-3/8"

Intrinsically Safe: No

**Nickel-Cadmium impres™**

To maximize impres battery features and benefits, an impres charger must be used.

Part Number: **HNN9033AR**

Volts: 7.5

Avg. mAh: 1800

Height: 4"

Intrinsically Safe: No

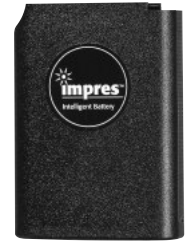
Part Number: **HNN9034AR**

Volts: 7.5

Avg. mAh: 1800

Height: 4"

Intrinsically Safe: Yes



HNN9033AR



## ASTRO Digital SABER Series

## Service Aids, Manuals

### Service Aids

#### Battery Eliminator

The battery eliminator acts like a battery with a cable to access a DC external power supply. It is ideal to inspect transmitters and receivers on incoming radios. Reverse supply polarity protection and input fuse protection are provided.

**RTL4224A** Battery Eliminator

#### Torque Screwdriver

Measure the amount of torque being applied. Built-in magnified dial. Calibrations clearly marked.



**RSX4043A** Adjustable Torque Screwdriver

**6680321B79** Torque Bit, for Power Contact Screws

**6680321B86** Torque Bit, for Controller Shield Screws

**6680370B88** Torque Bit, for 16 Position Select or Switch Spanner Nut

**6680370B89** Torque Bit, for Slotted-Spanner Baseplate Nut

**6680371B03** Torque Bit, for Frequency Switch & Volume Pot Spanner Nut

**6680371B34** Torque Bit, for RX/TX Switch Spanner Nut

#### Housing Eliminator

**REX4200A** Housing Eliminator

#### Adapter

**5880384G68** SMA to BNC RF Adapter



#### Radio Test and Programming Cable

Used with portable radio test set, RTX4005B, for transmitter, receive alignment and performance checks. Also used in programming radio.

**RKN4046A** Radio Interface Box/Radio/Test Set Cable

### Service Aids

#### Radio Service Software

Utilizing your personal computer, this software enables you to add or reprogram frequencies as your requirements change. IBM 366 is recommended for these products. Requires interface box and appropriate cables.

**RVN4100P** Programming Software

#### Radio Interface Box

Links radio programming cable and computer interface together. Provides required voltage shift to enable communications between radio and computer. Requires computer and interface cable, radio test and programming cable, and 9 volt snap type battery (6082728J01).



**RLN4008E** Radio Interface Box

**0180357A57** AC Power Pack, 110V

**0180358A56** AC Power Pack, 220V

**3080369B71** IBM to RIB Cable, 25 Pin

**3080369B72** IBM to RIB Cable, 9 Pin

### Manuals

**0180305J46** Ear Microphone System and Temple Transducer CD-ROM

**0180305J70** impres™ System CD-ROM

**6881076C05** Basic Service Manual

**6881076C10** Detailed Service Manual

**6881072C75** ASTRO Digital SABER I VHF, UHF, 800 MHz Operator/User's Manual

**6881072C80** ASTRO Digital SABER II, III, VHF, UHF, 800 MHz Operator/User's Manual

**6881098E85** ASTRO Digital SABER VHF, UHF, 800 MHz Radio Service Software Manual

Over 7 million customers have made MyRadioMall.com America's #1 choice when it comes to dependable and reliable Motorola Communications at fantastic prices.

We are now celebrating our 12th year of online service and the best is yet to come.



Advanced Radio Systems, Inc  
8726 NW 26 Street #6  
Miami, Florida 33172  
Voice Numbers: 305-884-1795  
Toll Free: 1-866-900-Mall (6255)  
Fax Number: 305-884-1985

12/25/2006