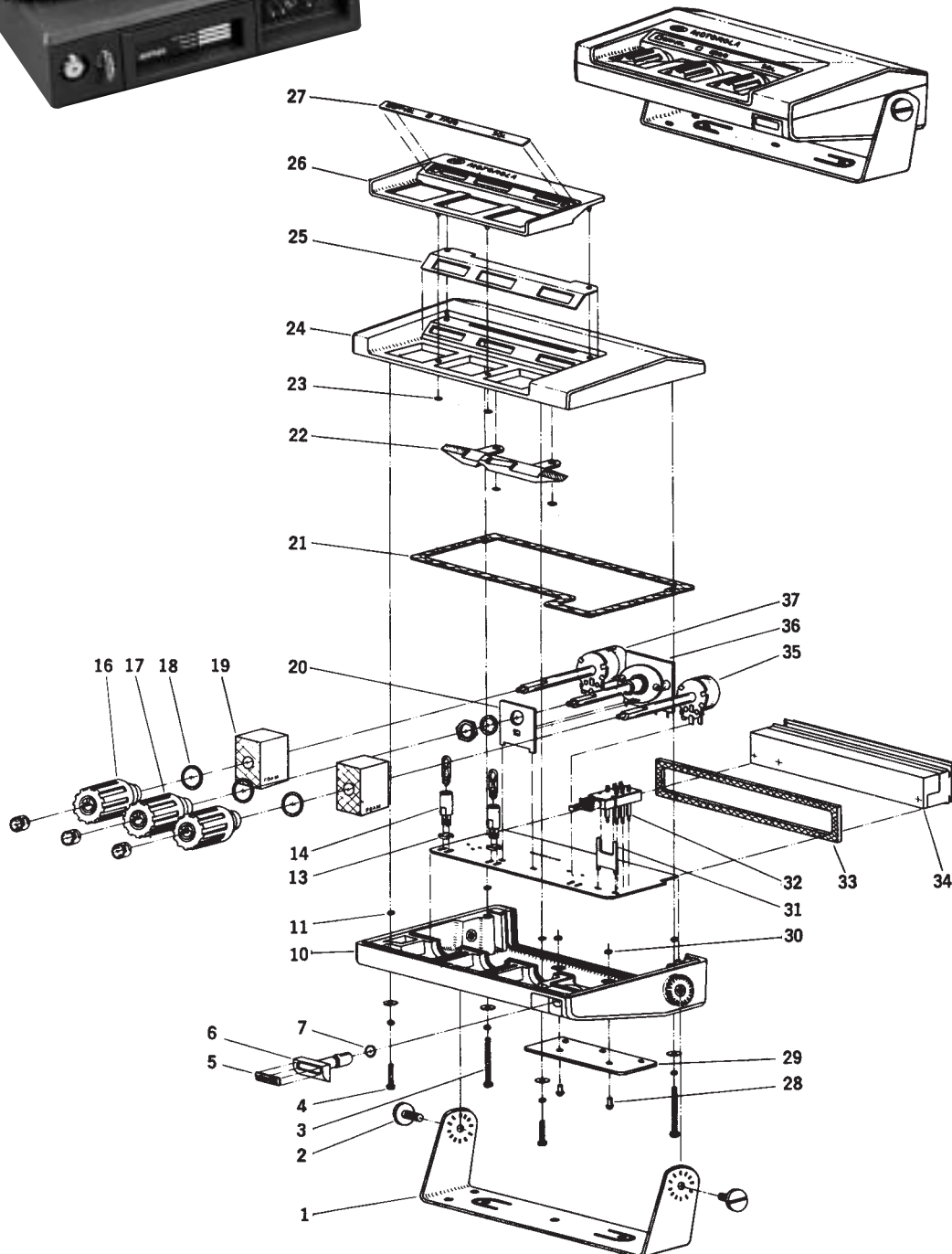


# MITREK Series

## Parts List



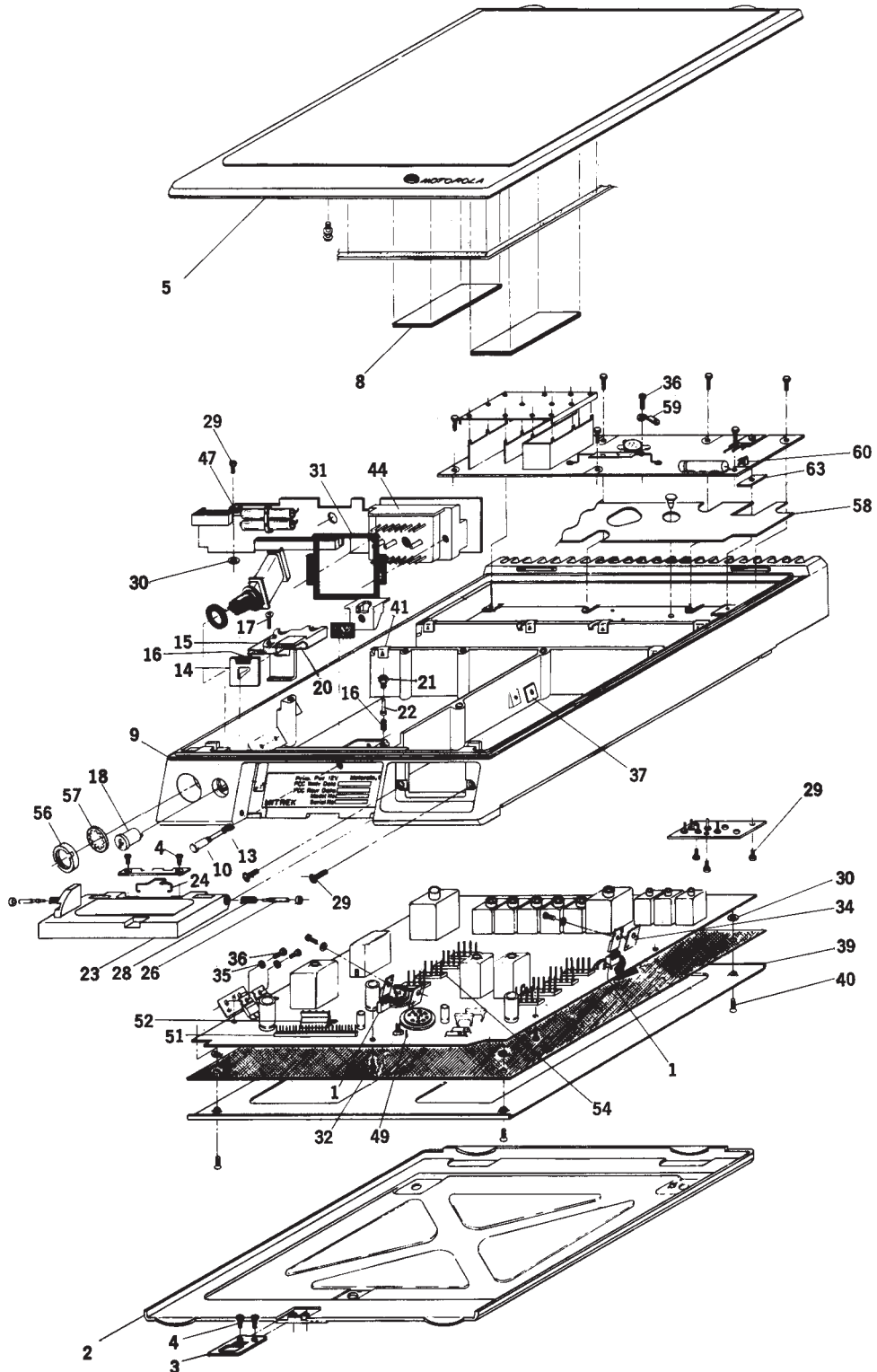
*Replacement parts are no longer available*

**MITREK Series***Parts List*

REF. NO.	PART NO.	DESCRIPTION	REF. NO.	PART NO.	DESCRIPTION
-------------	----------	-------------	-------------	----------	-------------

***Cancelled Product MITREK:  
Aftermarket support criteria has  
been met for spare parts. Items  
are no longer available.***

*Parts List*



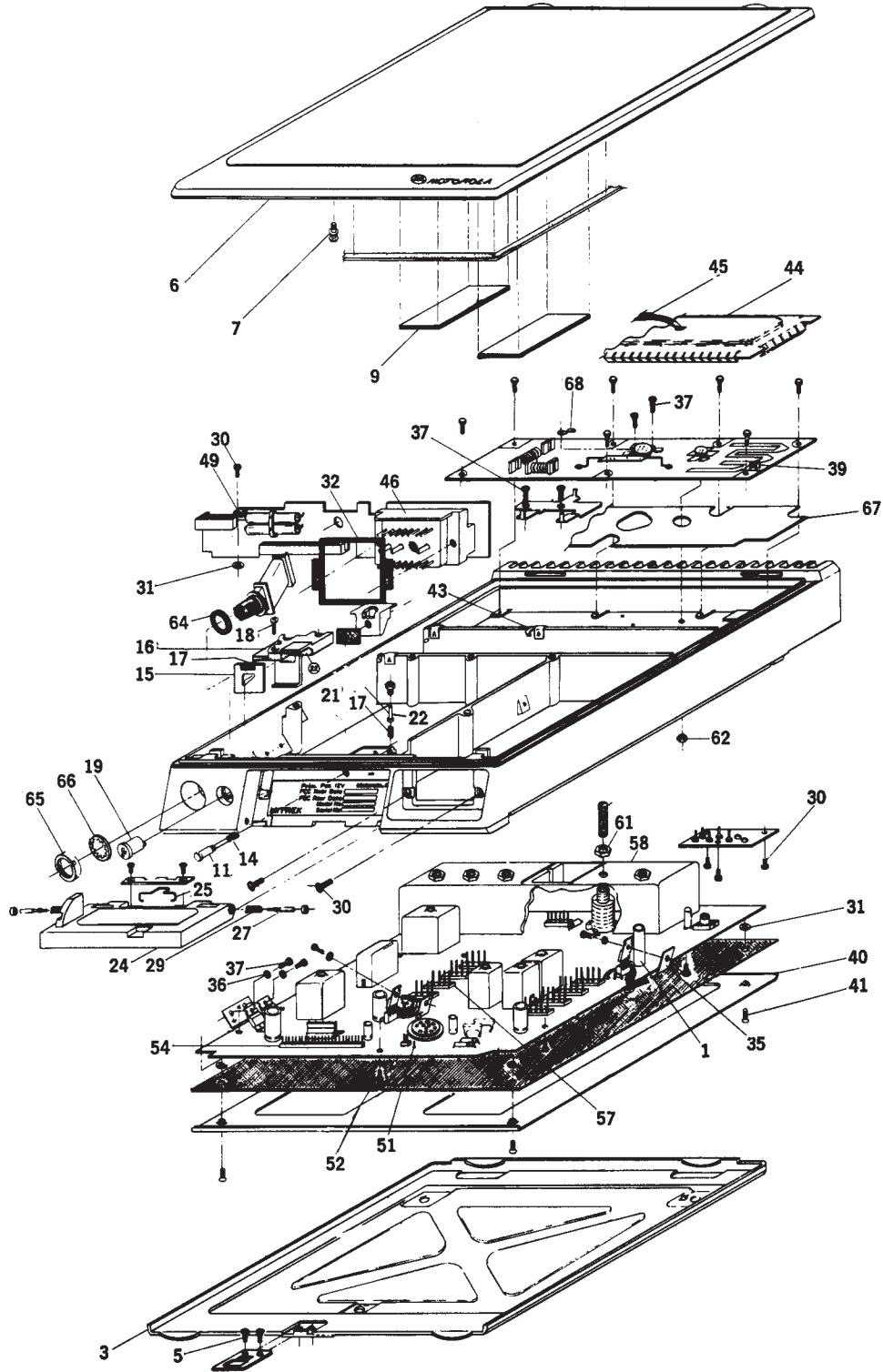
*Replacement parts are no longer available*

**MITREK Series***Parts List***Low Band Radio Assembly**

REF. NO.	PART NO.	DESCRIPTION	REF. NO.	PART NO.	DESCRIPTION
-------------	----------	-------------	-------------	----------	-------------

**Cancelled Product MITREK:  
Aftermarket support criteria has  
been met for spare parts. Items  
are no longer available.**

*Parts List*



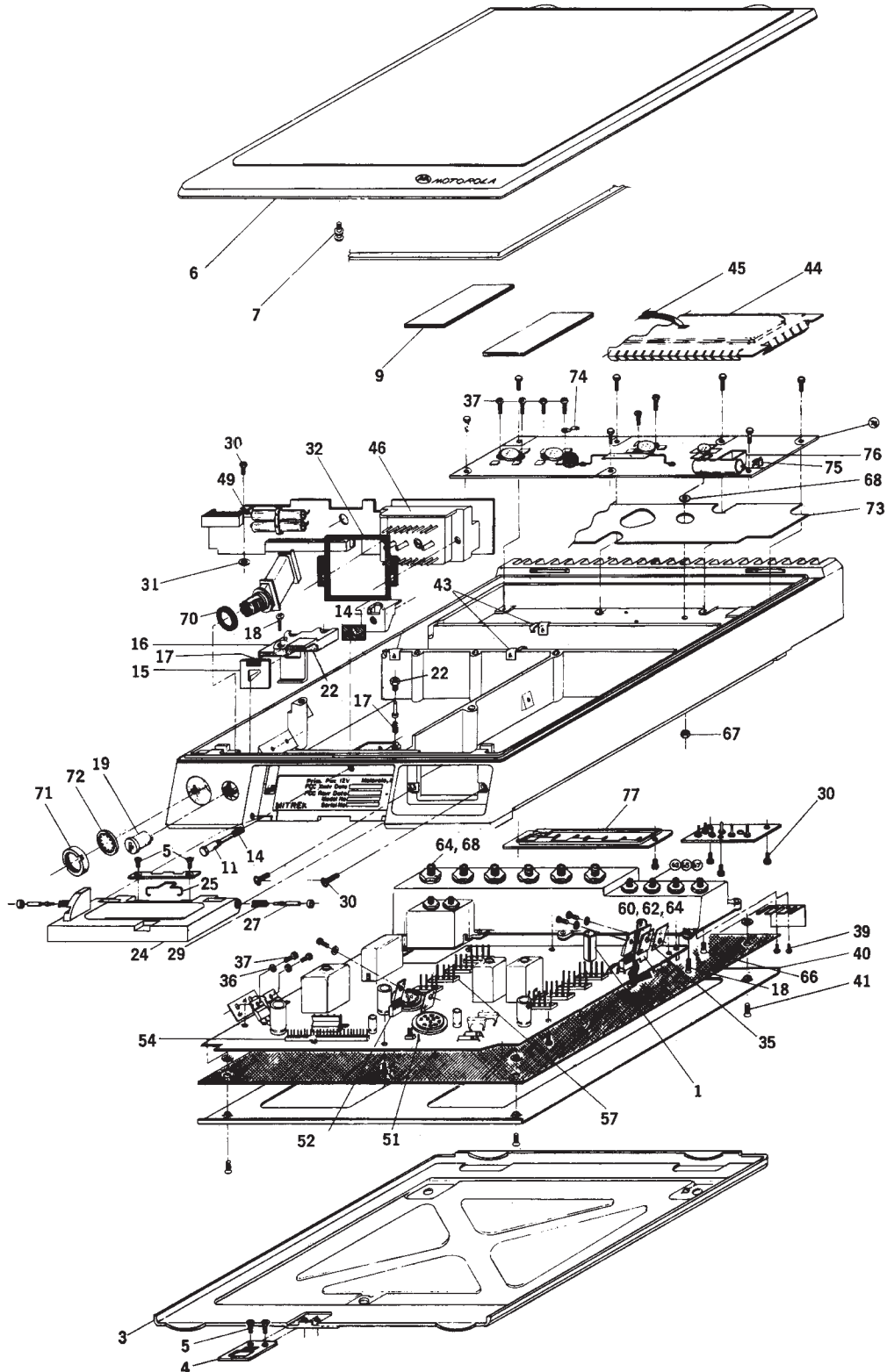
*Replacement parts are no longer available*

**MITREK Series***Parts List***High Band Radio Assembly**

REF. NO.	PART NO.	DESCRIPTION	REF. NO.	PART NO.	DESCRIPTION
-------------	----------	-------------	-------------	----------	-------------

**Cancelled Product MITREK:  
Aftermarket support criteria has  
been met for spare parts. Items  
are no longer available.**

*Parts List*



*Replacement parts are no longer available*

**MITREK Series***Parts List***UHF Assembly**

REF. NO.	PART NO.	DESCRIPTION	REF. NO.	PART NO.	DESCRIPTION
-------------	----------	-------------	-------------	----------	-------------

**Cancelled Product MITREK:  
Aftermarket support criteria has  
been met for spare parts. Items  
are no longer available.**



## MITREK Series

## Mobile Accessories

### Mobile Microphones

HMN1015A



Microphones are equipped with an all transistor preamplifier which provides added clarity and increased communications efficiency. Choose a weather resistant model for adverse weather conditions or noise cancelling model for high noise environments.

**HMN1015A** Weatherproof Palm Microphone

### Hang-up Boxes

Hang-up boxes are used with Private-Line and Digital Private-Line coded squelch radios to automatically place the radios in monitor (carrier squelch) mode when the microphone/handset is lifted off-hook. In addition, the handset hang-up boxes transfer audio from the mobile speaker to the handset receiver when lifted off-hook. Models containing a slide switch which places the radio in the monitor mode while still on-hook are also available.

HLN4024B



**HLN4024B** Microphone Hang-up Box

### Speakers



HSN4020B

This 10 watt speaker is rated at 3.2 ohms and is designed for use with all MITREK series radios. Complete with universal mount, this compact speaker measures 5" W x 5" L x 2 1/2" H and can be utilized in multiple installation applications.

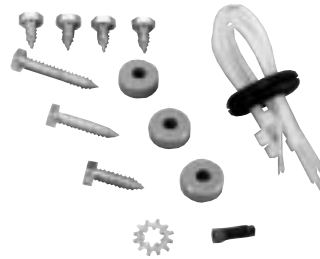
**HSN4020B** 10 Watt Speaker

### Power Cables

For use with 75, 100 and 110 watt models

**HKN4017A** Cable Kit, 17 feet (four frequency)

### Installation Kit



HLN4022E

Includes tapping screws, locking washer, crimp terminal, rubber grommet and nylon tie wraps for installing radio into vehicle.

**HLN4022E** Installation Kit

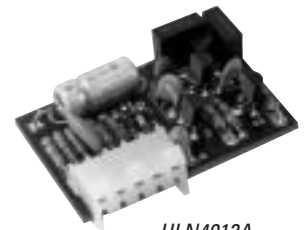
### Mounting Plate

**HLN4034C** Bottom Mounting Plate

### Time-out Timer

Prevents lock-up of a repeater or tie up of a channel. An alert tone is emitted and the transmitter is shut off after the transmission exceeds 60 seconds.

**HLN4012A** Time-out Timer



HLN4012A

## MITREK Series

## Mobile Accessories

### Cable Kit

#### Transmit/Ignition Cable Kit

Allows the radio to be used in the standby (receive only) mode when ignition key is removed from vehicle.

**HKN4007A** Transmit/Ignition Switch Cable Kit



HKN4007A

### MITREK Systems•90 Accessories

#### Single Housing

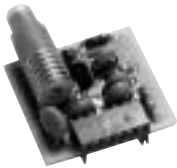
Consists of a single housing with standard trunion which can accommodate one, one board option and one alternative control module.

**THN6125A** Single Housing



THN6125A

### RF Pre-Amplifiers



HLD4051A

Pre-amplifiers boost input in fringe areas for improved reception.

**HLD4051A** Pre-amplifier, 136-146 MHz

**HLD4052A** Pre-amplifier, 146-174 MHz

#### Alternate Control Module

Alternate control modules may be installed in an accessory housing and used as a substitute for the standard control head.

**HLN1001A** Alternate Control Module (four frequency)

### Noise Reduction Kits

Reduces alternator and/or ignition noise which improves radio audio quality.

**TLN8845A** Ignition Noise Reduction Kit



TLN8845A

## MITREK Series

## Accessories, Antennas

### MITREK Systems•90 Accessories

#### Hang-up Boxes



Three models are available which automatically place the radio in the monitor mode when the microphone/handset is lifted off-hook. This allows the operator to check for a clear channel before transmitting as required by the FCC.

**HLN4188A** Microphone Hang-up Box, Private-Line

#### Power Cables

A variety of cable kits are available for new installation or replacement applications. Multiple vehicles with power cables facilitates quick transfer of radios from one vehicle to another.

For 30, 40, 50 and 60 watt radios

**HKN4008A** Cable Kit, 17 feet, negative ground

For 75, 100 and 110 watt radios

**HKN4041A** Cable Kit, negative ground, with high power fuse

### Mobile Antennas



RAB4012ARA

Part Number: **RAB4012ARA**

Frequency: 30-36 MHz

Power: 100 watts, maximum

Gain: Unity nominal

VSWR: Less than 1.5:1

Duty: Heavy

Impedance: 50 ohms, nominal

Mounting Kit: Roof Mount with 17' RG58A/U Cable and PL259 Connector



Part Number: **RAB4013ARA**

Frequency: 36-42 MHz

Power: 100 watts, maximum

Gain: Unity, nominal

VSWR: Less than 1.5:1

Duty: Heavy

Impedance: 50 ohms, nominal

Mounting Kit: Roof Mount with 17' RG58A/U Cable and PL259 Connector



RAB4013ARA  
&  
RAB4014ARA

Part Number: **RAB4014ARA**

Frequency: 42-50 MHz

Power: 100 watts, maximum

Gain: Unity nominal

VSWR: Less than 1.5:1

Duty: Heavy

Impedance: 50 ohms, nominal

Mounting Kit: Roof Mount with 17' RG58A/U Cable and PL259 Connector

## MITREK Series

## Service Tools, Manuals

### Service Tools



6680385A04

#### Extractor Tool

Aids in removal of contact pins from connectors J3 and P3.

**6680385A04** Extraction Tool

#### Tuning Tool

General purpose transmitter and receiver alignment tool.

**6682977K01** Tuning Tool



6682977K01



RSX4028A

#### Spanner tool

Used to remove antenna relay locking nut.

**RSX4028A** Spanner Tool

### Manuals

#### MITREK Mobiles/Base

##### 25-54 MHz

**6880100W79** 30-50W Broadband Antenna Match

##### 136-174 MHz

**6881045E70** 40/60W, 75/110W, 1-4 Frequencies, FM Radio  
T43/53JJA Series (A Suffix)  
T63/JJA Series (A Suffix)

**6881040E80** MITREK Super Console Base Station L43, L53JJB Series

**6881045E70** 40/60/75/110W, 134-176 MHz, 1-4 Frequencies, FM Radio  
T43/53/63/83JJA Series (B Suffix)

**6881109E58** MITREK Control Scan Monitor

##### 403-512 MHz

**6881045E75** 30/50W, 75/110W, 1-4 Frequencies, FM Radio

**6881040E80** MITREK Super Console Base Station L44, L54JJB Series

**6881045E75** 30/50/75/100W, 1-4 Frequencies, FM Radio  
T34/44/64/74JJA Series (B Suffix)

##### 806-870 MHz

**6881045E80** 12/35W, 1-5 Frequencies, FM Radio  
Base Station Owner's Manual

#### Systems•90 Installation

**6881109E57** MITREK Systems•90 Mobile Public Address

**6881110E50** MITREK Systems•90 Accessory Group Installation Instructions