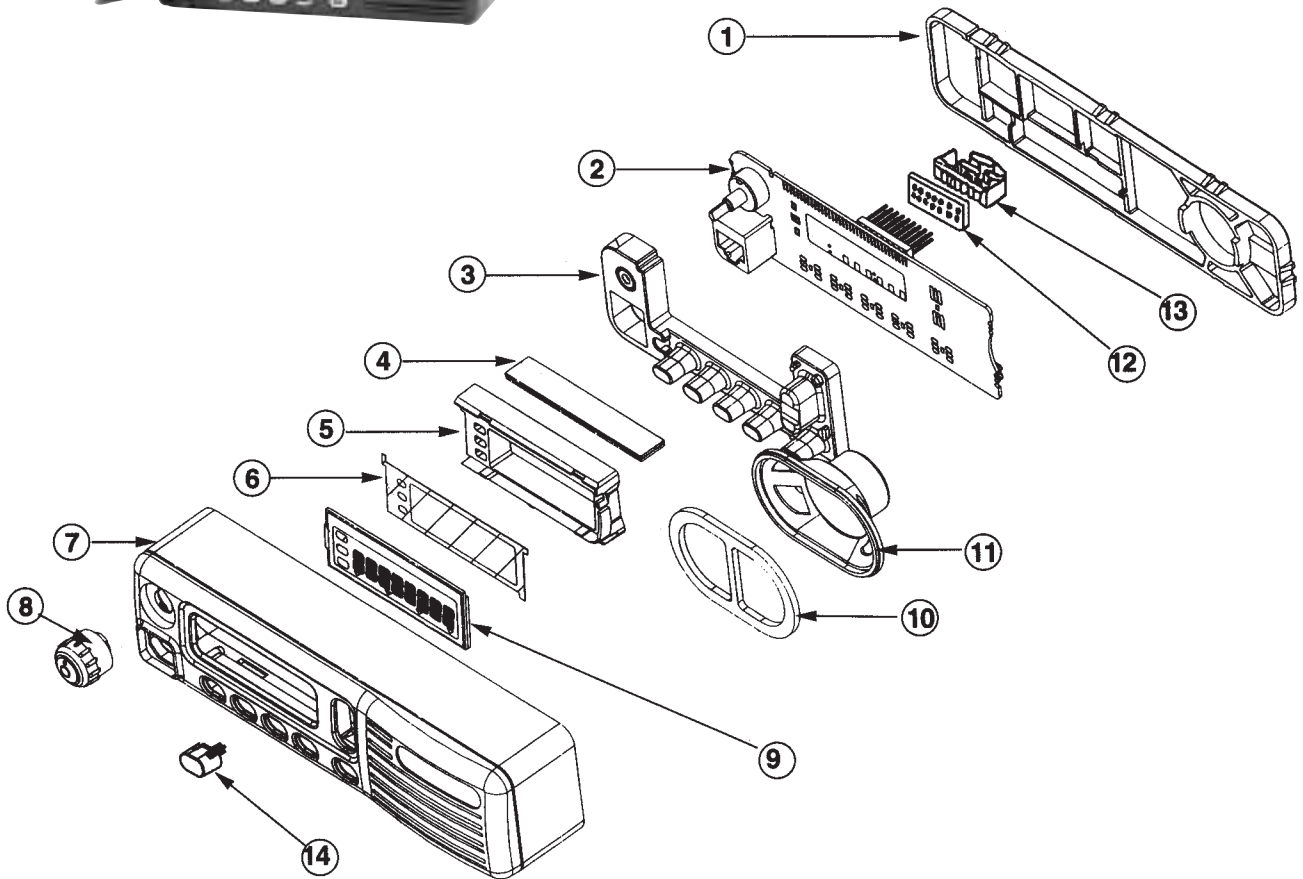


# MCS2000 Series



## Parts List



### Control Head Model I

REF. NO.	PART NO.	DESCRIPTION
1	<b>0702103U01</b>	Frame Lock
2	<b>0180758T08</b>	Front End
3	<b>7502101U05</b>	Keypad, Elastomeric
4	<b>2802102U01</b>	Connector, Elastomeric
5	<b>0702103U01</b>	Frame, LCD
6	<b>9102100U01</b>	Color Sheet, LCD
7	<b>1502102U05</b>	Housing, Control Head Model I
8	<b>3605893W02</b>	Volume Knob
9	<b>7202100U03</b>	LCD Glass

REF. NO.	PART NO.	DESCRIPTION
10	<b>3205932V02</b>	Gasket, Speaker
11	<b>5005156Z02</b>	Speaker
12	---	Ferrite Plate*
13	<b>1580365K01</b>	Shroud, white*
14	---	Replaceable Pushbutton**

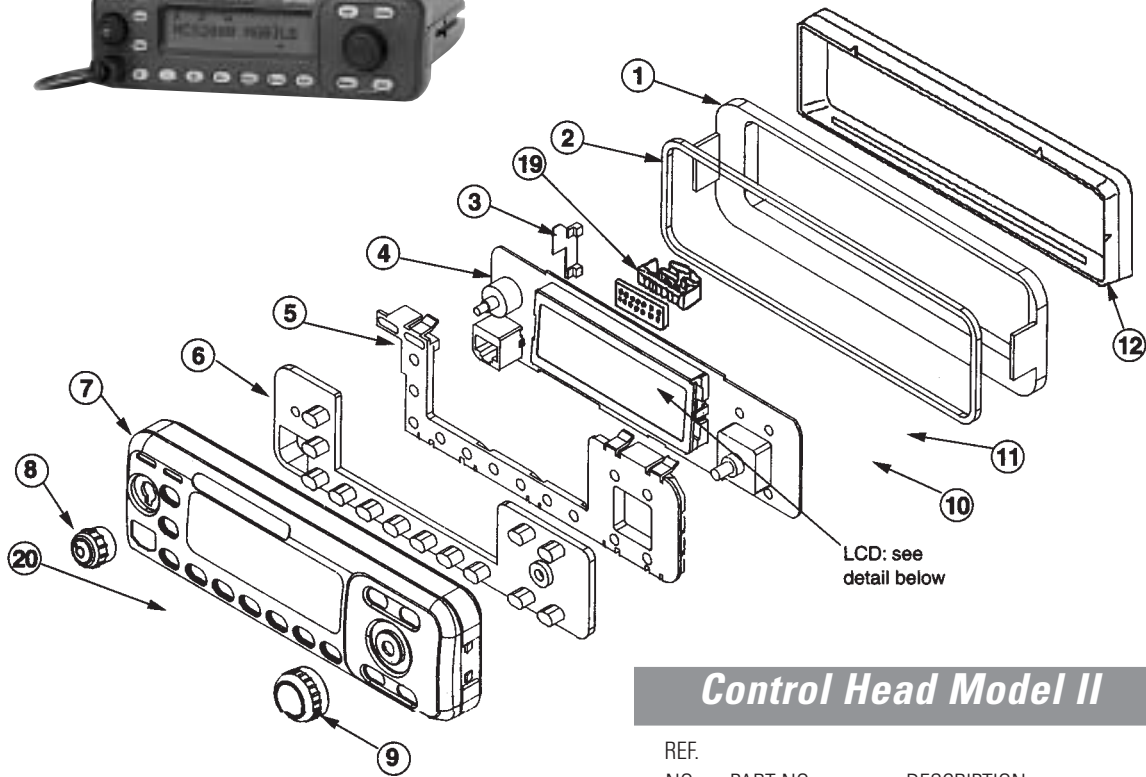
\* Parts have been obsoleted on newer kits

\*\* Refer to Service Manual

# MCS2000 Series



## Parts List

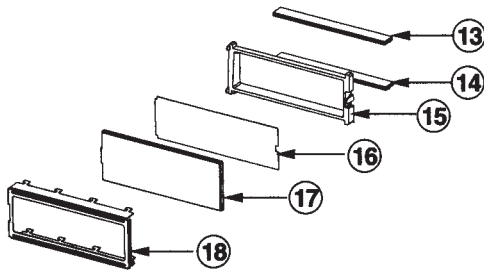


LCD: see detail below

### Control Head Model II

REF. NO.	PART NO.	DESCRIPTION
1	<b>1502455Y05</b>	Housing, Back
2	<b>3202462Y03</b>	Gasket, Housing
3	<b>4602100U01</b>	PCB Retainer
4	<b>HCN4058</b>	PCB Assembly*
5	<b>6102082U04</b>	Light Guide
6	<b>7502565Y04</b>	Keypad, standard with Text
6a	<b>7505241Z03</b>	Keypad, for use with Replaceable Pushbuttons
7	<b>1502100U14</b>	Housing, Control Head Model II
8	<b>3605893W02</b>	Volume Knob
9	<b>3602100U01</b>	Rotary Knob
10	---	Ferrite Plate†
11	<b>1580365K01</b>	Shroud, white†
12	<b>0704779P01</b>	Retention Frame
13	<b>2802102U01</b>	Connector, Elastomeric – Gray
14	<b>2802101U01</b>	Connector, Elastomeric – Pink
15	<b>0702103U01</b>	Frame, LCD
16	<b>9102102U01</b>	Reflector Sheet
17	<b>7202076U04</b>	Display Glass
18	<b>1302100U01</b>	Bezel
19	<b>3280542K01</b>	Adhesive Pad
20	---	Replaceable Pushbutton**

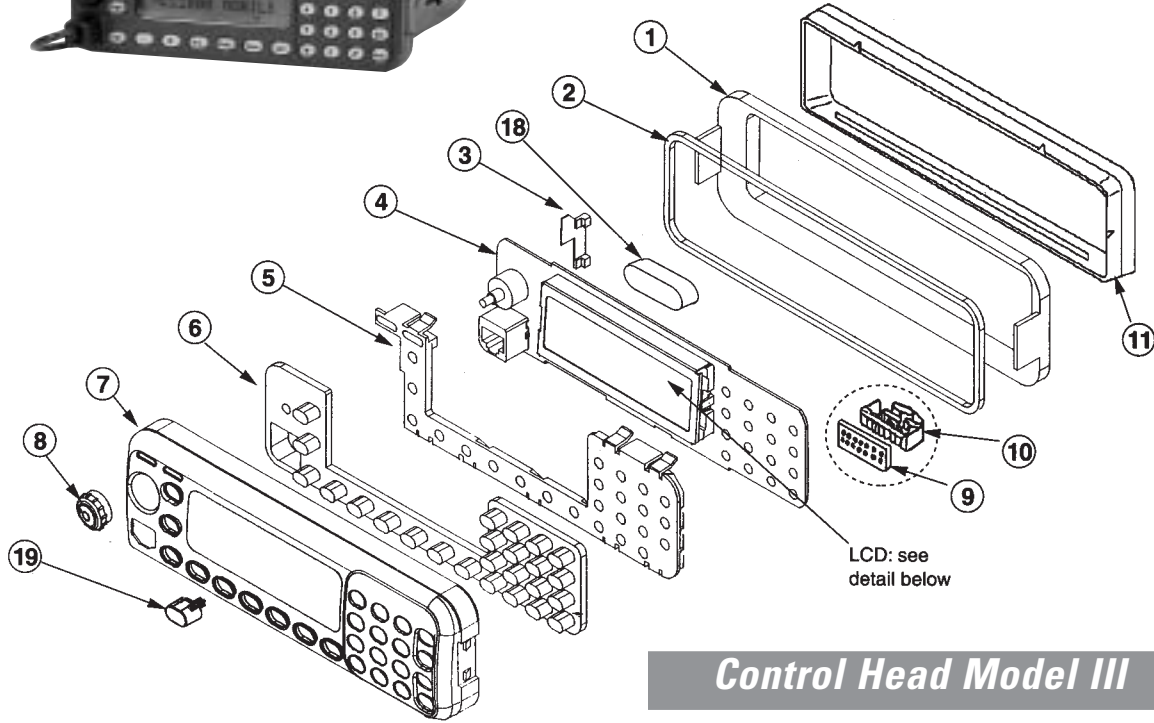
LCD Detail



\* Radios with SDLN4192 may use HCN4058 as replacement  
 \*\* Refer to Service Manual  
 † Parts have been eliminated

# MCS2000 Series

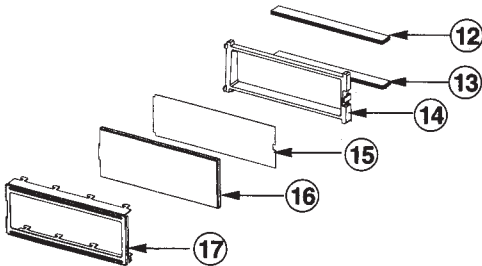
## Parts List



### Control Head Model III

REF. NO.	PART NO.	DESCRIPTION
1	<b>1502455Y05</b>	Housing, Back
2	<b>3202462Y03</b>	Gasket, Housing
3	<b>4602100U01</b>	PCB Retainer
4	<b>HCN4059</b>	PCB Assembly <sup>1</sup>
5	<b>6102082U04</b>	Light Guide
6	<b>7502566Y04</b>	Keypad
6a	<b>7505242Z03</b>	Keypad, for use with Replaceable Pushbuttons
7	<b>1502100U15</b>	Housing, Control Head Model III
8	<b>3605893W02</b>	Volume Knob
9	---	Ferrite Plate <sup>2</sup>
10	<b>1580365K01</b>	Shroud, white <sup>2</sup>
11	<b>0704779P01</b>	Retention Frame
12	<b>2802102U01</b>	Connector, Elastomeric – Gray
13	<b>2802101U01</b>	Connector, Elastomeric – Pink
14	<b>0702084U02</b>	Frame, LCD
15	<b>9102102U01</b>	Reflector Sheet
16	<b>7202076U03</b>	Display Glass
17	<b>1302085U01</b>	Bezel
18	<b>3280542K01</b>	Adhesive Pad
19	---	Replaceable Pushbutton <sup>3</sup>

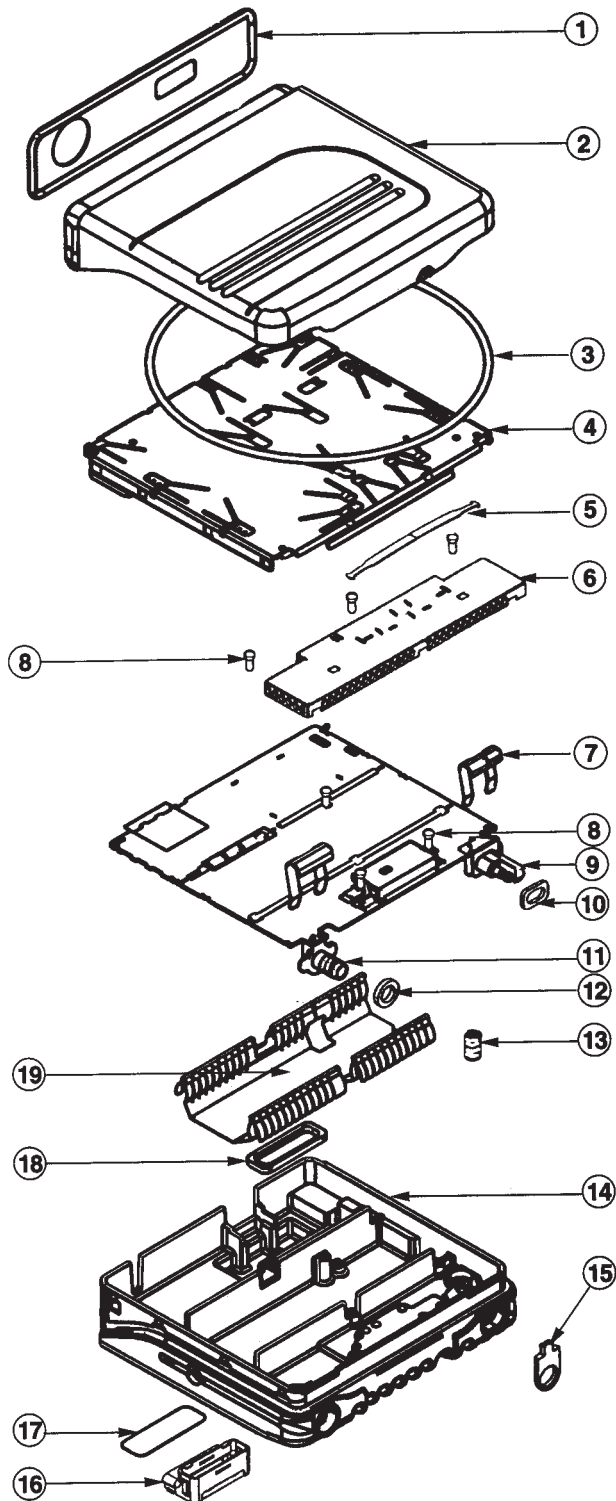
LCD Detail



1 Radios with SDLN4193 may use HCN40589 as replacement  
 2 Parts have been eliminated  
 3 Refer to Service Manual

**Parts List**

**Low Power Radio**

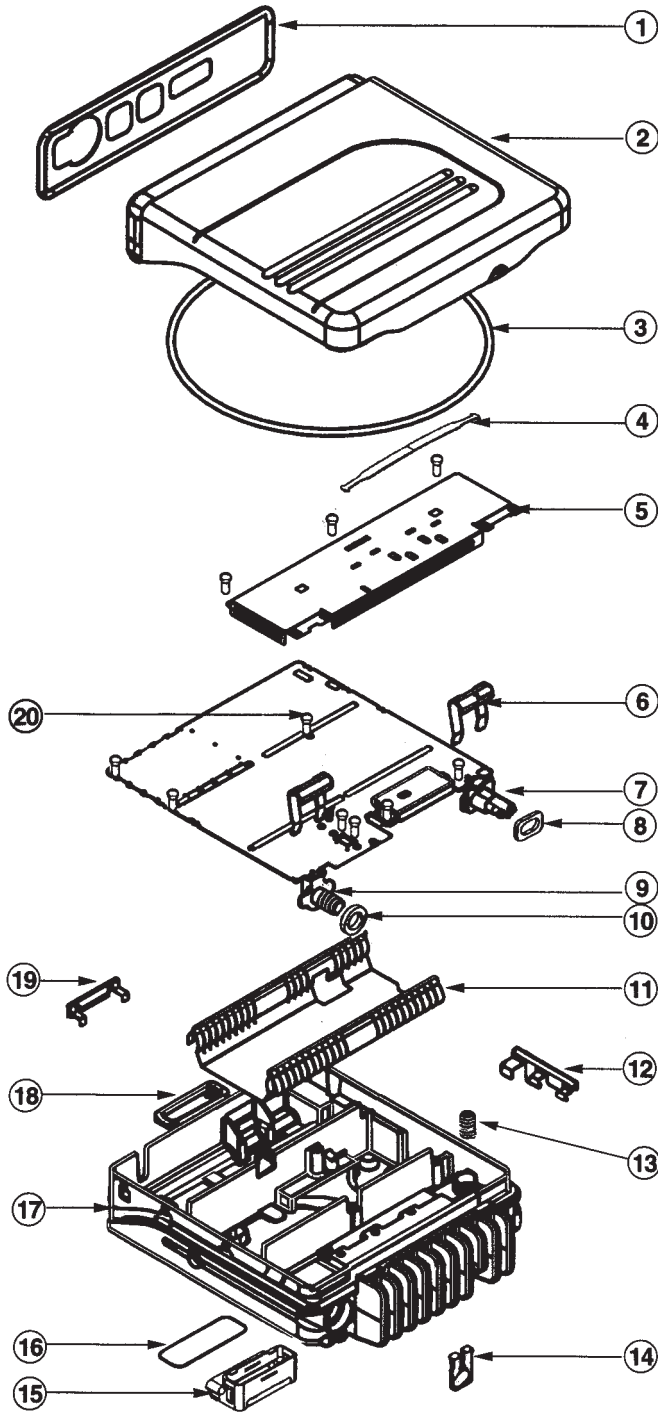


REF. NO.	PART NO.	DESCRIPTION
1	<b>3205931V02</b>	Gasket, Front Cover
2	<b>1505908V02</b>	Top Cover
3	<b>3205934V01</b>	Gasket, Top Cover
4	<b>2605652W02</b>	Pressure Plate
5	<b>5584300B04</b>	Handle, 800 MHz only
6	<b>2604802K01</b>	PA Shield, 800 MHz only
7	<b>4205938V01</b>	Clip Spring, 2 pcs.
8	---	Screw, M3X0.5X10, 6 pcs.*
9	---	Power Connector
10	<b>3205457Z02</b>	Gasket, Power Connector
11	<b>0905901V08</b>	Antenna Connector
12	<b>3205457Z01</b>	Gasket, Antenna Connector
13	<b>4105783W01</b>	Spring Diode
14	<b>2705920V07</b>	Chassis, Low Power
15	<b>4205940V01</b>	Retainer, Accessory Connector Cable
16	<b>HLN6412</b>	Accessory Connector
17	---	Label
18	<b>3205935V01</b>	Gasket, 25 D Connector
19	<b>2604555E01</b>	Board Slot Shield, 800 MHz only

\* Number of screws can vary depending on the model.

**Parts List**

**Mid Power Radio**

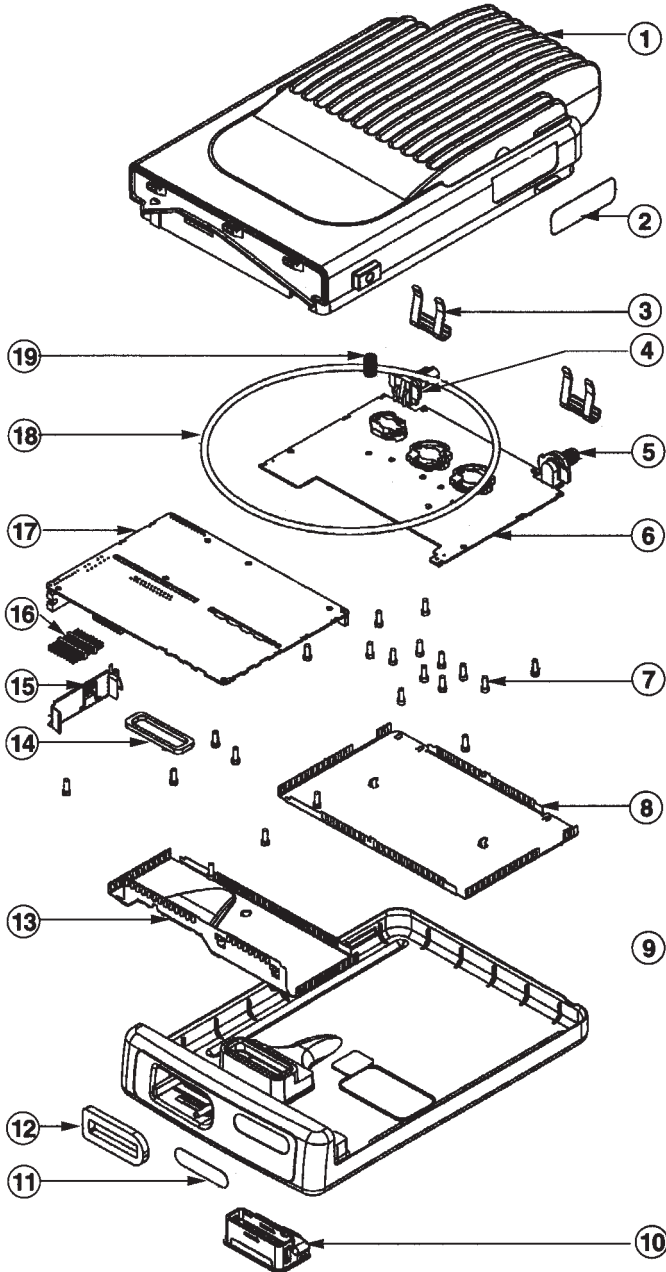


REF. NO.	PART NO.	DESCRIPTION
1	<b>3205931V02</b>	Gasket, Front Cover
2	<b>1505764X01</b>	Top Cover Assembly
3	<b>3205082E97</b>	Gasket, Top Cover
4	<b>5584300B04</b>	Handle
5	<b>2605625X03</b>	PA Shield
6	<b>4205938V01</b>	Clip Spring, 2 pcs.
7	<b>0905902V04</b>	Power Connector
8	<b>3205457Z04</b>	Gasket, Power Connector
9	<b>0905901V08</b>	Antenna Connector
10	<b>3205457Z01</b>	Gasket, Antenna Connector
11	<b>2604693P01</b>	Board Slot Shield, 800 MHz only
12	<b>4205727X02</b>	Clip, Audio PA
13	<b>4105783W01</b>	Spring Diode
14	<b>4205627X01</b>	Retainer, Accessory Connector Cable
15	<b>HLN6412</b>	Accessory Connector
16	<b>3305873U04</b>	Label, Rear Cover
17	<b>2705816W06</b>	Chassis, Mid Power
18	<b>3205935V01</b>	Gasket, 25 D Connector
19	<b>4205496Y01</b>	Clip, PCB
20	<b>0310907A20</b>	Screw M3X0.5X10, 12 pcs.*
21	<b>0310911A12</b>	Screw M3X0.5X10, 6 pcs.*

\* Number of screws can vary depending on the model.

**Parts List**

**High Power Radio**



REF. NO.	PART NO.	DESCRIPTION
1	<b>2705815W02</b>	Chassis, High Power
2	<b>3305179X01</b>	Name Plate
3	<b>4205938V01</b>	Clip, Spring
4	<b>0905902V04</b>	Power Connector
4a	<b>3205457Z04</b>	Gasket, Power Connector
5	<b>0905901V08</b>	RF Connector
5a	<b>3205457Z01</b>	Gasket, RF Connector
6	<b>HUD4021</b>	PA Board, VHF R1
	or	
	<b>HUD4016</b>	PA Board, VHF R2
	or	
	<b>HUE4018</b>	PA Board, UHF R1
	or	
	<b>HUE4020</b>	PA Board, UHF R2
7	<b>0310911A12</b>	Screw M3X0.5X10, 6 pcs.
7a	<b>0310907A20</b>	Screw M3X0.5X10, VHF 16 pcs./ UHF 18 pcs.
8	<b>2605387Z02</b>	PA Shield with Handle
9	<b>1505849X01</b>	Bottom Cover
10	<b>HLN6412</b>	Accessory Connector
11	<b>3305873U04</b>	Label, Rear Cover
12	---	Gasket, Remote Cable
13	<b>2605265Y02</b>	RF Shield with Handle
14	<b>3205935V01</b>	Gasket, 25 D Connector
15	<b>4205169Y01</b>	Audio PA Clip
16	<b>2805347X02</b>	Plug, High Spec.
17	<b>HUD4019</b>	Transceiver Board, VHF
	or	
	<b>HUE4017</b>	Transceiver Board, UHF
18	<b>3205934V01</b>	Gasket, Top Cover
19	<b>4105783W01</b>	Spring Diode

## MCS2000 Series

## Mobile Accessories

### Microphones

**HMN4069E** Standard White Palm Microphone

**HMN4072E** Classic White Palm Microphone

**NMN6210D** 3x4 Button Keypad Mic (includes 3 additional programmable buttons)

**GMN6147B** Noise Cancelling Microphone (includes 3 additional programmable buttons)

**HMN1085B** Handset with Hang Up Cup



HMN4069E

### Visor Microphones

Allows user to have hands free communication with the use of a gooseneck PTT or footswitch PTT



HMN1073A

**HMN1073A** Remote Mount Visor Microphone, (requires GLN7279A or GLN7278A)

**GLN7279A** Gooseneck PTT, attaches to steering column of vehicle

**GLN7278A** Footswitch PTT

### Microphone Adapter Cables

Allows a second microphone to be added via mobile accessory connector, requires ordering a second PTT microphone HMN4069B or HMN4072B to function.

**HKN6129A** 17 Foot Adapter Cable for second microphone

**HKN6130A** 40 Foot Adapter Cable for second microphone

### Speakers

**HSN4038A** 7.5W Water External Resistant Speaker (requires HKN6127 adapter cable for dash mounted compatibility)

**HSN4039A** 13W External Water Resistant Remote Speaker (requires HKN6127 adapter cable for dash mounted compatibility)

**HKN6127A** Speaker Adapter Cable



HSN4038A

### Control Station Accessories

**HMN1038E** Standard Desk Microphone

**HLN6404A** Desk Tray with Speaker Low Power, for use with model II & III

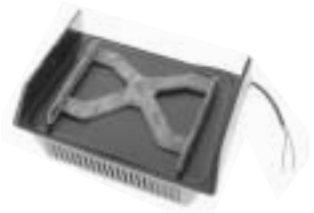
**HLN6405A** Desk Tray without Speaker Low Power, for use with model I

**HPN4002B** Power Supply Low Power

**HLN6580B** Desk Tray with Speaker Mid Power, for use with model II & III

**HLN6581A** Desk Tray without Speaker Low Power, for use with model I

**HPN4001B** Power Supply Mid Power



HLN6404A



## MCS2000 Series

## Accessories, Antennas

### Remote Mount Kits

Converts a low or mid power radio from dash to remotemount. Includes 17' control head cable, 20' power cable, 40' power cable, control head back plate and mounting hardware, front plate for the transceiver and an adapter for the speaker

**H1634A** Remote Mount Retrofit Kit — model I

**H1635A** Remote Mount Retrofit Kit — model II & III

### Remote Mount Kit Accessories

**HKN6111B** 10 Foot Control Head Cable

**HKN6112B** 17 Foot Control Head Cable

**HKN6113B** 22 Foot Control Head Cable

**HKN6118B** 40 Foot Control Head Cable

### Power Cables

**HKN4191B** 10 Foot Low/Mid Power Cable

**HKN4192B** 20 Foot Low/Mid Power Cable

**HKN6110A** 20 Foot High Power Only Cable

### Emergency Switch

Enables the user to send an emergency message to a console where their unit ID can be displayed and an alarm sounded.

**GLN7280A** Emergency Push button

**HLN5113B** Emergency Footswitch

### Miscellaneous Accessories

**GLN7282A** Alarm Buzzer

**HLN6642A** Alarm Relay and Cable

**HLN6372A** Key Lock Mount

**HKN6128A** Ignition Switch Cable

**GKN6262B** Car Radio Mute Cabl

### Antennas

#### 800 MHz

**HAF4002A** 1/4 Wave, roof top (806-900 MHz)

**RRA4983A** 3dB, roof top (806-900 MHz)

#### 900 MHz

**RRA4935A** 3dB, roof top w/14 ft. cable (890-960 MHz)

**RAF4003ARM** 3dB, roof top w/22 ft. cable (860-960 MHz)



HAF4002A



## MCS2000 Series

## Antennas, Service Aids

### Antennas

#### VHF

**HAD4006A** 1/4 Wave, roof top (136-144 MHz)

**HAD4007A** 1/4 Wave, roof top (144-152 MHz)

**HAD4008A** 1/4 Wave, roof top (150.8-162 MHz)

**HAD4009A** 1/4 Wave, roof top (162-174 MHz)

**RAD4010ARB** 3dB, roof top (136-174 MHz)

#### UHF

**HAE4002A** 1/4 Wave, roof top (403-430 MHz)

**HAE4003A** 1/4 Wave, roof top (450-470 MHz)

**HAE4004A** 1/4 Wave, roof top (470-512 MHz)

**HAE4010A** 3.5dB, roof top (406-420 MHz)

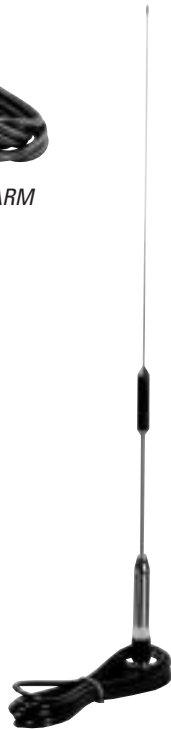
**HAE4011A** 3.5dB, roof top (450-470 MHz)

**HAE4012A** 3.5dB, roof top (470-495 MHz)

**HAE4013A** 3.5dB, roof top (494-512 MHz)



HAE4003ARM



HAE4013A

### Service Aids

#### Programming Software

Utilizing your personal computer, the software enables you to add or reprogram frequencies as your requirements change. Compatible with IBM XT, AT, Model 30, 50, 60 and 80. Requires Radio Interface Box and appropriate cables; must be ordered separately.

##### DOS-based

**RVN4113H** Programming Software, 3-1/2" Diskette (includes binder and manual)

##### Windows-based

**RVN4175A** Programming Software, 3-1/2" Diskette (includes binder and manual)

#### Computer Interface Cable

Used to connect computer's serial port to Radio Interface Box.

**3080369B71** Computer Interface Cable, RIB to 25 pin D

**3080369B72** Computer Interface Cable, RIB to 9 pin D

#### Programming Cable

Required to program radio, acts as a link between RIB box and Radio.

**RKN4063A** Programming Cable

#### Cloning Cable

**RKN4062B** Cloning Cable

## MCS2000 Series

## Service Aids, Manuals

### Service Aids

#### Radio Interface Box

Links radio programming cable and computer interface together. Provides required voltage shift to enable communications between radio and computer. Requires computer interface cable, radio programming cable, and a 9 volt snap type battery (6082728J01) or wall mount power supply. Order separately.

**RLN4008E** Radio Interface Box



RLN4008E



0180357A57

#### Wall Mounted Power Supply

Used to supply power to Radio Interface Box.

**0180357A57** Wall Mounted Power Supply (110 volts)

**0180358A56** Wall Mounted Power Supply (220 volts)

### Service Manuals

- 6881083C20** Includes all common features for all units except 25W VHF & UHF
- 6881080C43** 800 MHz Service Manual
- 6881080C44** 900 MHz 110W Service Manual
- 6881080C42** UHF 110W Service Manual
- 6881080C49** UHF 25W Service Manual
- 6881080C41** VHF Service Manual
- 6881080C48** VHF 25W Service Manual
- 6881083U25** SecureNet Service Manual

### Miscellaneous Manuals

- 6881083C48** Short Form User Guide Model I (English only)
- 6881083C49** Short Form User Guide Model II & III (English only)
- 6881083C05** Short Form User Guide Model I (multi-lingual)
- 6881083C10** Short Form User Guide Model II & III (multi-lingual)
- 6881080C35** Detailed User Guide
- 6802058U20** Installation Manual