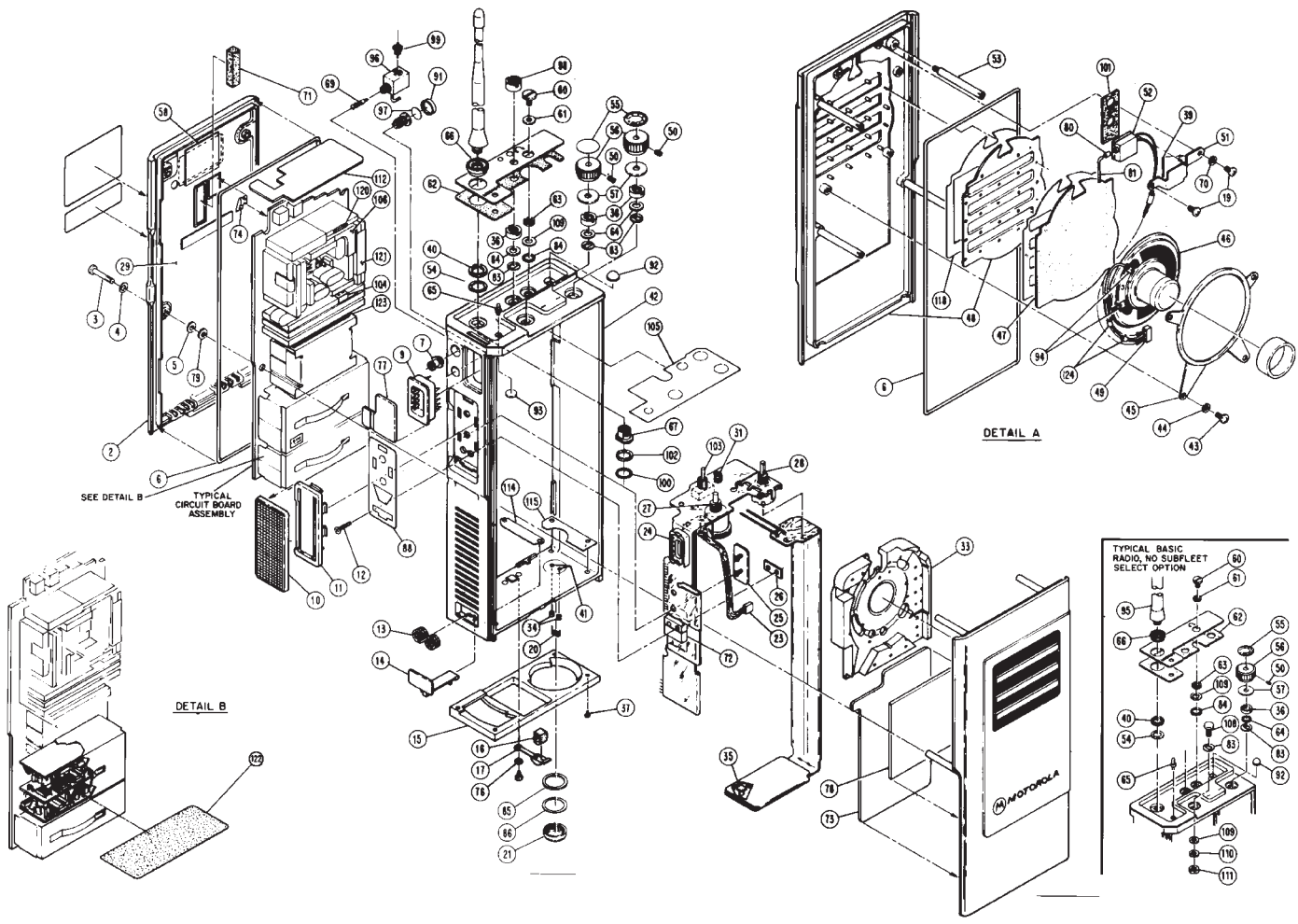


# MX300-T Series

## Parts List



**Replacement parts are no longer available**

**MX300-T Series***Parts List*

REF.  
NO. PART NO. DESCRIPTION

---

REF.  
NO. PART NO. DESCRIPTION

---

***Cancelled Product MX300-T:  
Aftermarket support criteria has  
been met for spare parts. Items  
are no longer available.***

## MX300-T Series

## Portable Accessories

### Chargers

#### Single Unit Chargers

When the battery is fully charged, the charger automatically resets to a trickle charge rate. Rapid charge batteries must be charged in the rapid charge rate.

**NLN8858A** Single Unit,  
1 Hour, Rapid Charger,  
117 Volts

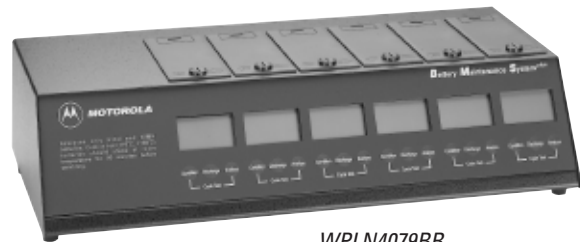


NLN8858A

### Battery Maintenance System<sup>plus</sup> (BMS<sup>plus</sup>)

Using interchangeable battery adapters (sold separately), the BMS<sup>plus</sup> is capable of charging and discharging, analyzing, conditioning and cycle test on batteries; tracking battery voltage and capacity (mAh).

The BMS<sup>plus</sup> offers a 3 year warranty. Its easy-to-use design supports hundreds of 2-way, cellular, and camcorder batteries with printer port\* (Serial-RS-232C port – uses female 9-pin to male 25-pin cable).



WPLN4079BR

**WPLN4079BR** Six-Station, 110V AC, 50/60 Hz

**WPLN4080BR** Six-Station, 230V AC, 50/60 Hz

**NDN4005B** Three-Station, 110V AC, 50/60 Hz

**NDN4006B** Three-Station, 230V AC, 50/60 Hz

#### BMS<sup>plus</sup> Adapter

**TDN9445A** Standard Adapter, MX300

#### Optional Adapters

\*\***TDN9432A** Adapter, Universal Alligator Clip Lead

\*\***TDN9527A** Adapter, Universal Dip Switch

\*Compatible with the STAR Micronics SP200 series printers, available from any STAR Micronics distributor, and other printers with STAR emulation.

\*\*Universal adapters available as an option to accommodate all radio types.

## MX300-T Series

## Portable Accessories

### Battery Optimizing System II (BOS II)



WPLN4124AR

No other battery analyzer matches the speed, accuracy, and versatility of the Battery Optimizing System II. Ideal for large fleet, public safety, and all other users who rely on their battery performance. Now with increased power, more sophisticated programming options, and easier to use navigation paths, optimizing your batteries was never easier. Key features include:

- Support for NiCd, NiMH, Li-ion, and SLA batteries
- 100 watt power supply and programmable from 100 mA to 4 amps per station
- Interchangeable adapters accommodate all major brands
- Includes a variety of user programs and allows for customizable programming
- Proprietary recondition cycle restores NiCd and NiMH batteries
- Increased processing power and testing resolution – including a three minute Quicktest that measures the batteries State of Health (SoH)
- Printer output for reports and labels
- Three year warranty

**WPLN4124AR** BOS II, Four-Station, 100-240V AC (US line cord)

**WPLN4125AR** BOS II, Four-Station, 100-240V AC (UK/Euro line cords)

### BOS II Adapters

**RL-71181** Standard Adapter, MX300-T, 500-700 mAh

**RL-71182** Standard Adapter, MX300-T, 1100-1400 mAh

**RL-71183** Standard Adapter, MX300-T, 2000-2800 mAh

### Optional Adapters

**RL-70115** Adapter, Universal; services Li-ion

**RL-70110** Adapter, Universal; service NiCd and NiMH

### Audio Accessories

#### Headsets

The noise cancelling type headsets all but eliminate outside interference in high noise environments. The earpiece headset rests lightly, but firmly on the ear and eliminates need for a headband.



NMN6065A

**NMN6065A** Noise Cancelling Headset Microphone with Cup Microphone (requires cable adapter)

**NMN6064A** Noise Cancelling Headset Microphone with Boom Microphone (requires cable adapter)



NMN6064A

**NKN6207A** Cable Adapter

# MX300-T Series

## Portable Accessories

### Audio Accessories

**5005178K01** Earpiece without volume control

#### Remote Speaker/Microphone



NMN6070B

Remote speaker/microphone allows user to talk and listen without removing radio from belt or carrying case. Ideal in high noise level areas. Straight and coil cord remote units have back clip for attachment to upper garment. Wired earpiece available for all models.

**NMN6070B** Remote Speaker Microphone Straight Cord with Clip Back

**NMN6071B** Remote Speaker Microphone Coil Cord with Clip Back



NMN6071B



RLN4294A



RLN4295A

#### Epaulet Strap

Black leather epaulet straps secure remote speaker microphones to epaulet of shirts or jackets and attach around cord.

**RLN4294A** Epaulet Strap, Velcro

**RLN4295A** Epaulet Strap, Small Clip

### Carrying Accessories

#### Carrying Cases

Standard black leather carrying cases with snap-on/off perforated full covers provide protection, yet permit clear audio. Swivel carrying cases attach to belt loop attachment by inverting radio. Radio swings freely on belt loop attachment, adjusting to body movements.



1505333D07

#### Standard

**1505333D07** Carrying Case with Belt Loop for Light and Medium Battery Capacity



1505333D10

**1505333D10** Carrying Case with Belt Loop for High and Ultra High Battery Capacity

#### Carry Holders

**NLN8861B** Radio Holder, Belt Loop

**NLN8862B** Radio Holder, Swivel, MX360 Series. Belt loop not included.



NLN8862B

# MX300-T Series

Accessories,  
Antennas, Batteries,  
Service Tools & Aids

## Carrying Accessories

### Cover

**1505332D01** Carrying Case Cover



1505332D01

### T-Strap

**4205360D01** Carrying Case Strap



4205360D01

### Carrying Strap

**NTN5243A** 60" Carrying Strap, Requires Leather Carrying Case



NTN5243A

### Belt

**4200865599** 1-3/4" Wide Leather Belt, For All Models

**4205857B01** 2" Spare Belt Loop, For Swivel Cases

## Portable Antennas

### Heliflex

Antenna is tested and tuned to give maximum power and performance.

**NAF4000B** 806-870 MHz, Molded



NAF4000B

## Portable Batteries

### Nickel-Cadmium Premium

Part Number: **NLN5860D**

Volts: 7.5

Avg. mAh: 1400

Height: 3-2/16"

Intrinsically Safe: Yes

## Service Tools

### Alignment Tools

**6682186E01** Tuning Tool



6682186E01



6605168F01

**6605168F01** Wrench, Antenna Bushing Nut and Fuse Cap (800 Mhz only)

## Service Aids

### Radio Test Cable

Used with RTX4005 portable test set for transmitter, receiver alignment and performance checks.

**RTK4021A** Test Cable



RTK4021A



SKN6028A

### RF Adapter Cable

**SKN6028A** RF Adapter Cable, connects to radio jack, other end terminated with type BNC male

Over 7 million customers have made MyRadioMall.com America's #1 choice when it comes to dependable and reliable Motorola Communications at fantastic prices.

We are now celebrating our 12th year of online service and the best is yet to come.



Advanced Radio Systems, Inc  
8726 NW 26 Street #6  
Miami, Florida 33172  
Voice Numbers: 305-884-1795  
Toll Free: 1-866-900-Mall (6255)  
Fax Number: 305-884-1985

12/25/2006