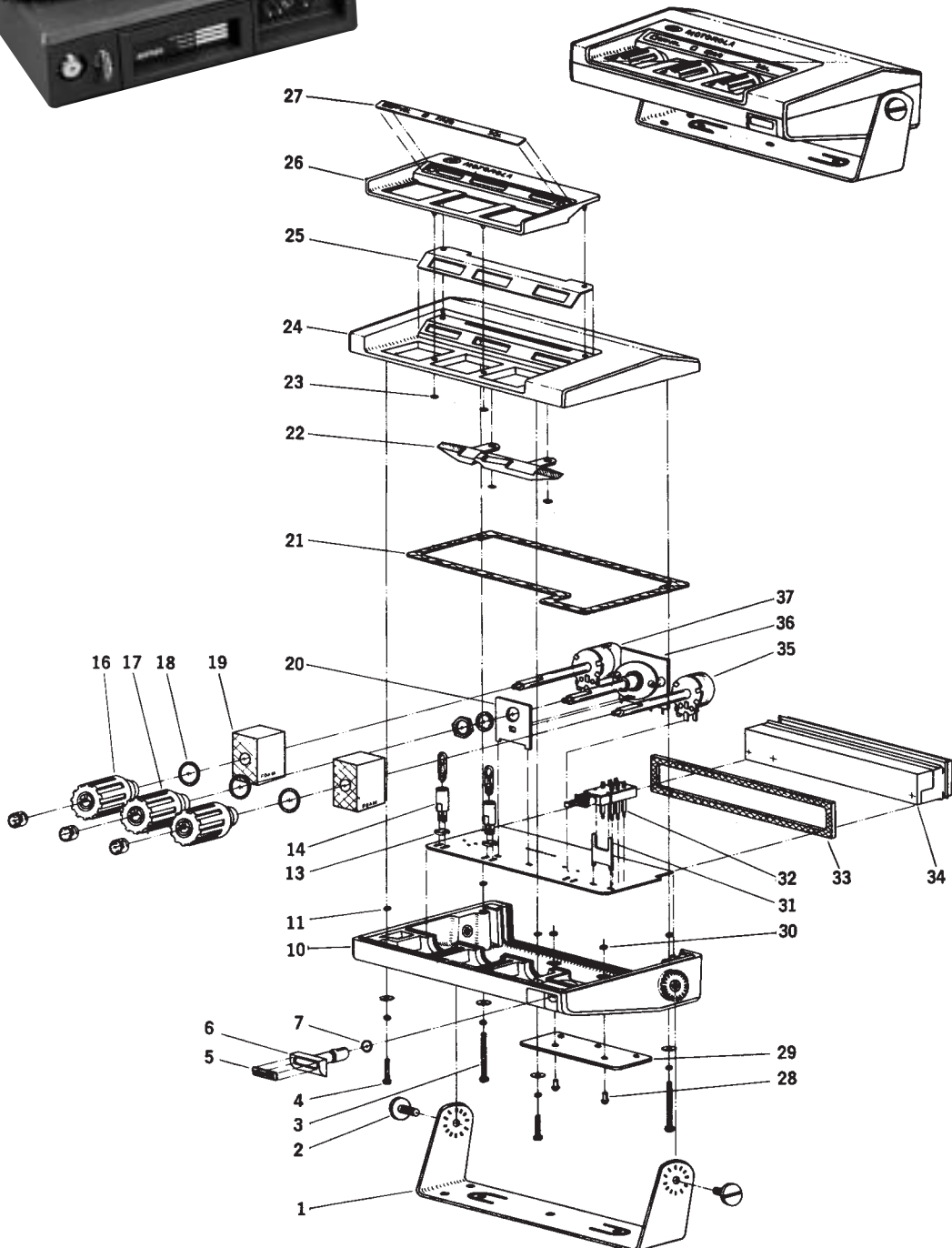


MITREK Series

Parts List



Replacement parts are no longer available

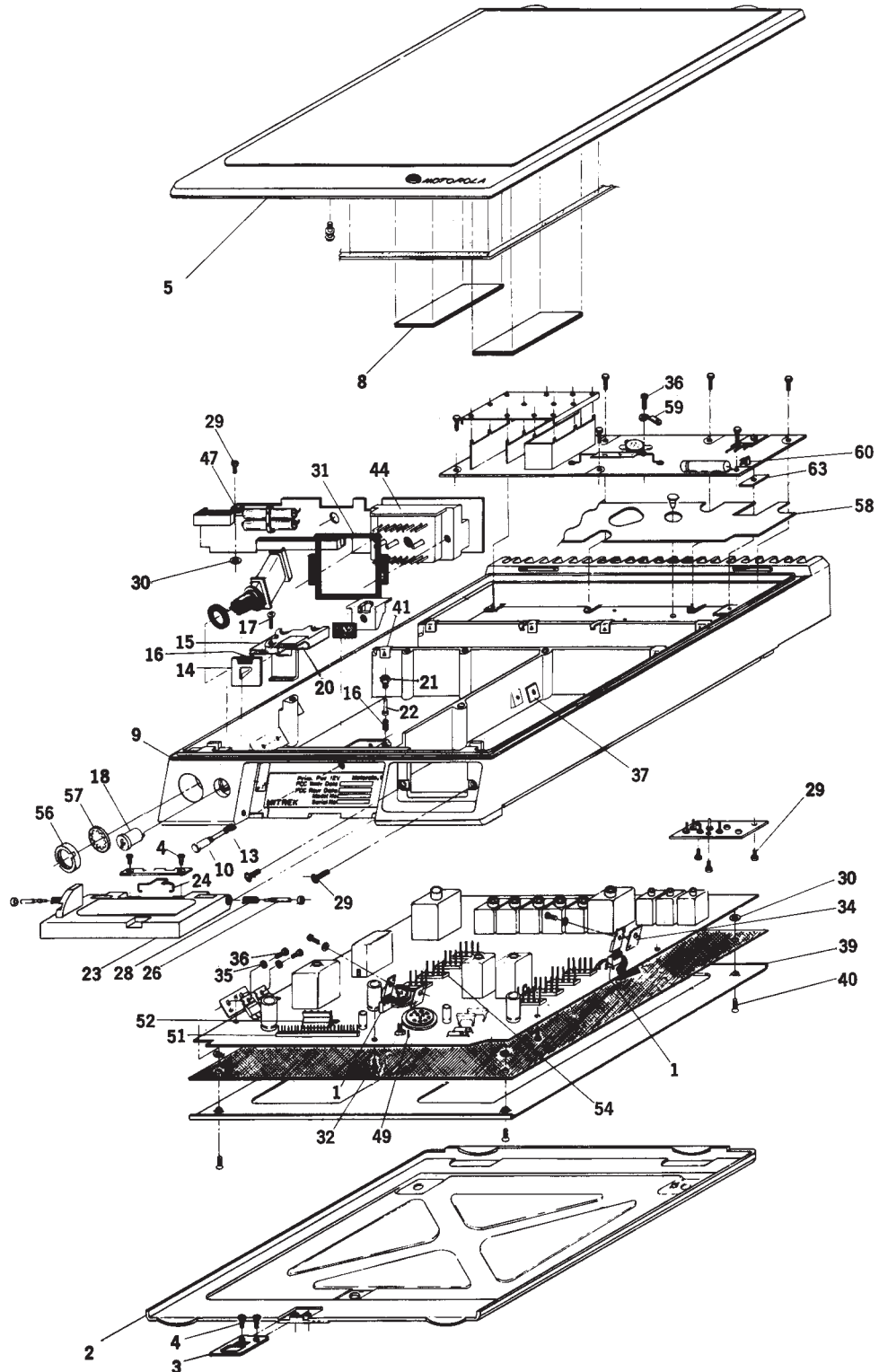
MITREK Series*Parts List*

| REF. NO. | PART NO. | DESCRIPTION |
|-------------|----------|-------------|
|-------------|----------|-------------|

| REF. NO. | PART NO. | DESCRIPTION |
|-------------|----------|-------------|
|-------------|----------|-------------|

***Cancelled Product MITREK:
Aftermarket support criteria has
been met for spare parts. Items
are no longer available.***

Parts List



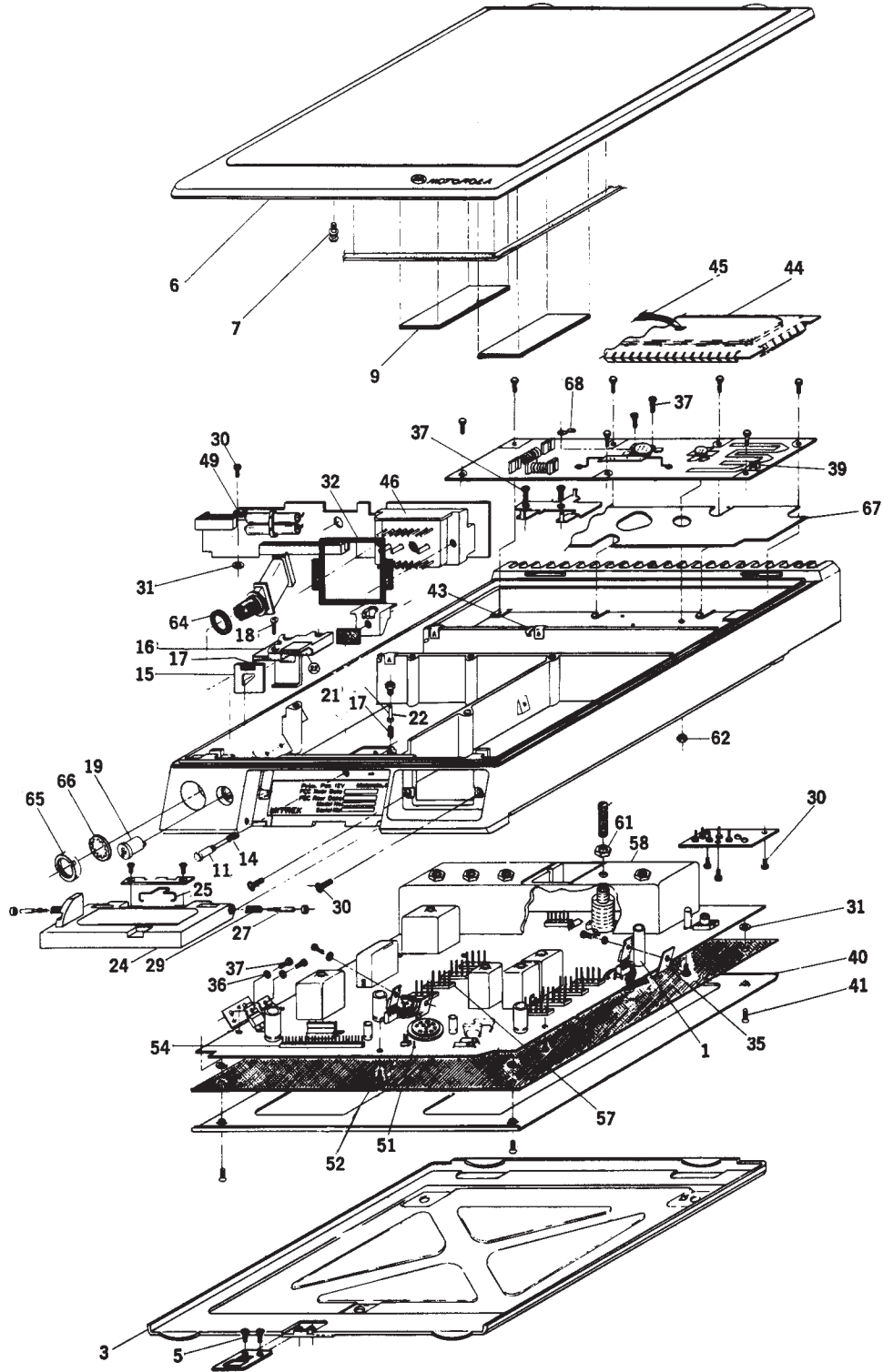
Replacement parts are no longer available

MITREK Series*Parts List***Low Band Radio Assembly**

| REF. NO. | PART NO. | DESCRIPTION | REF. NO. | PART NO. | DESCRIPTION |
|-------------|----------|-------------|-------------|----------|-------------|
|-------------|----------|-------------|-------------|----------|-------------|

**Cancelled Product MITREK:
Aftermarket support criteria has
been met for spare parts. Items
are no longer available.**

Parts List



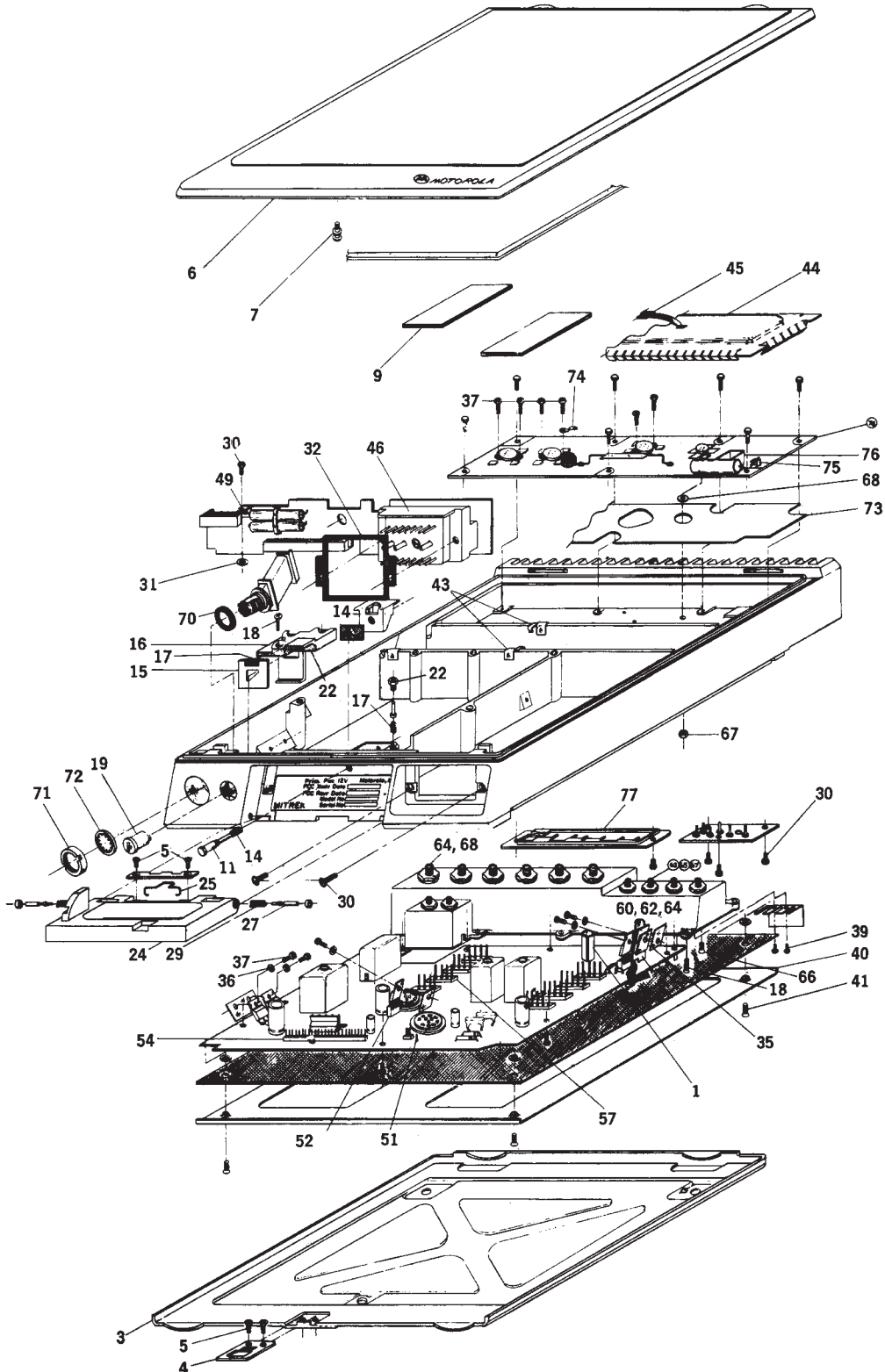
Replacement parts are no longer available

MITREK Series*Parts List***High Band Radio Assembly**

| REF. NO. | PART NO. | DESCRIPTION | REF. NO. | PART NO. | DESCRIPTION |
|-------------|----------|-------------|-------------|----------|-------------|
|-------------|----------|-------------|-------------|----------|-------------|

**Cancelled Product MITREK:
Aftermarket support criteria has
been met for spare parts. Items
are no longer available.**

Parts List



Replacement parts are no longer available

MITREK Series*Parts List***UHF Assembly**

| REF. NO. | PART NO. | DESCRIPTION | REF. NO. | PART NO. | DESCRIPTION |
|-------------|----------|-------------|-------------|----------|-------------|
|-------------|----------|-------------|-------------|----------|-------------|

**Cancelled Product MITREK:
Aftermarket support criteria has
been met for spare parts. Items
are no longer available.**

MITREK Series

Mobile Accessories

Mobile Microphones



Microphones are equipped with an all transistor preamplifier which provides added clarity and increased communications efficiency. Choose a weather resistant model for adverse weather conditions or noise cancelling model for high noise environments.

HMN1015A Weatherproof Palm Microphone

Hang-up Boxes

Hang-up boxes are used with Private-Line and Digital Private-Line coded squelch radios to automatically place the radios in monitor (carrier squelch) mode when the microphone/handset is lifted off-hook. In addition, the handset hang-up boxes transfer audio from the mobile speaker to the handset receiver when lifted off-hook. Models containing a slide switch which places the radio in the monitor mode while still on-hook are also available.



HLN4024B Microphone Hang-up Box

Speakers



This 10 watt speaker is rated at 3.2 ohms and is designed for use with all MITREK series radios. Complete with universal mount, this compact speaker measures 5" W x 5" L x 2 1/2" H and can be utilized in multiple installation applications.

HSN4020B 10 Watt Speaker

Power Cables

For use with 75, 100 and 110 watt models

HKN4017A Cable Kit, 17 feet (four frequency)

Installation Kit



Includes tapping screws, locking washer, crimp terminal, rubber grommet and nylon tie wraps for installing radio into vehicle.

HLN4022E Installation Kit

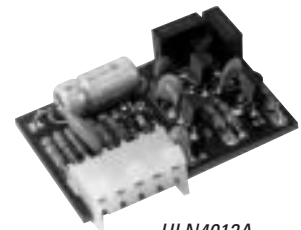
Mounting Plate

HLN4034C Bottom Mounting Plate

Time-out Timer

Prevents lock-up of a repeater or tie up of a channel. An alert tone is emitted and the transmitter is shut off after the transmission exceeds 60 seconds.

HLN4012A Time-out Timer



MITREK Series

Mobile Accessories

Cable Kit

Transmit/Ignition Cable Kit

Allows the radio to be used in the standby (receive only) mode when ignition key is removed from vehicle.

HKN4007A Transmit/Ignition Switch Cable Kit



HKN4007A

MITREK Systems•90 Accessories

Single Housing

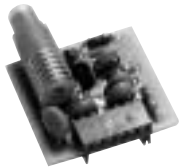
Consists of a single housing with standard trunnion which can accommodate one, one board option and one alternative control module.

THN6125A Single Housing



THN6125A

RF Pre-Amplifiers



HLD4051A

Pre-amplifiers boost input in fringe areas for improved reception.

HLD4051A Pre-amplifier, 136-146 MHz

HLD4052A Pre-amplifier, 146-174 MHz

Alternate Control Module

Alternate control modules may be installed in an accessory housing and used as a substitute for the standard control head.

HLN1001A Alternate Control Module (four frequency)

Noise Reduction Kits

Reduces alternator and/or ignition noise which improves radio audio quality.

TLN8845A Ignition Noise Reduction Kit



TLN8845A

MITREK Series

Accessories, Antennas

MITREK Systems•90 Accessories

Hang-up Boxes



Three models are available which automatically place the radio in the monitor mode when the microphone/handset is lifted off-hook. This allows the operator to check for a clear channel before transmitting as required by the FCC.

HLN4188A Microphone Hang-up Box, Private-Line

Power Cables

A variety of cable kits are available for new installation or replacement applications. Multiple vehicles with power cables facilitates quick transfer of radios from one vehicle to another.

For 30, 40, 50 and 60 watt radios

HKN4008A Cable Kit, 17 feet, negative ground

For 75, 100 and 110 watt radios

HKN4041A Cable Kit, negative ground, with high power fuse

Mobile Antennas



RAB4012ARA

Part Number: **RAB4012ARA**

Frequency: 30-36 MHz

Power: 100 watts, maximum

Gain: Unity nominal

VSWR: Less than 1.5:1

Duty: Heavy

Impedance: 50 ohms, nominal

Mounting Kit: Roof Mount with 17' RG58A/U Cable and PL259 Connector



Part Number: **RAB4013ARA**

Frequency: 36-42 MHz

Power: 100 watts, maximum

Gain: Unity, nominal

VSWR: Less than 1.5:1

Duty: Heavy

Impedance: 50 ohms, nominal

Mounting Kit: Roof Mount with 17' RG58A/U Cable and PL259 Connector



RAB4013ARA
&
RAB4014ARA

Part Number: **RAB4014ARA**

Frequency: 42-50 MHz

Power: 100 watts, maximum

Gain: Unity nominal

VSWR: Less than 1.5:1

Duty: Heavy

Impedance: 50 ohms, nominal

Mounting Kit: Roof Mount with 17' RG58A/U Cable and PL259 Connector

MITREK Series

Service Tools, Manuals

Service Tools



6680385A04

Extractor Tool

Aids in removal of contact pins from connectors J3 and P3.

6680385A04 Extraction Tool

Tuning Tool

General purpose transmitter and receiver alignment tool.

6682977K01 Tuning Tool



6682977K01



RSX4028A

Spanner tool

Used to remove antenna relay locking nut.

RSX4028A Spanner Tool

Manuals

MITREK Mobiles/Base

25-54 MHz

6880100W79 30-50W Broadband Antenna Match

136-174 MHz

6881045E70 40/60W, 75/110W, 1-4 Frequencies, FM Radio
T43/53JJA Series (A Suffix)
T63/JJA Series (A Suffix)

6881040E80 MITREK Super Console Base Station L43, L53JJB Series

6881045E70 40/60/75/110W, 134-176 MHz, 1-4 Frequencies, FM Radio
T43/53/63/83JJA Series (B Suffix)

6881109E58 MITREK Control Scan Monitor

403-512 MHz

6881045E75 30/50W, 75/110W, 1-4 Frequencies, FM Radio

6881040E80 MITREK Super Console Base Station L44, L54JJB Series

6881045E75 30/50/75/100W, 1-4 Frequencies, FM Radio
T34/44/64/74JJA Series (B Suffix)

806-870 MHz

6881045E80 12/35W, 1-5 Frequencies, FM Radio
Base Station Owner's Manual

Systems•90 Installation

6881109E57 MITREK Systems•90 Mobile Public Address

6881110E50 MITREK Systems•90 Accessory Group Installation Instructions