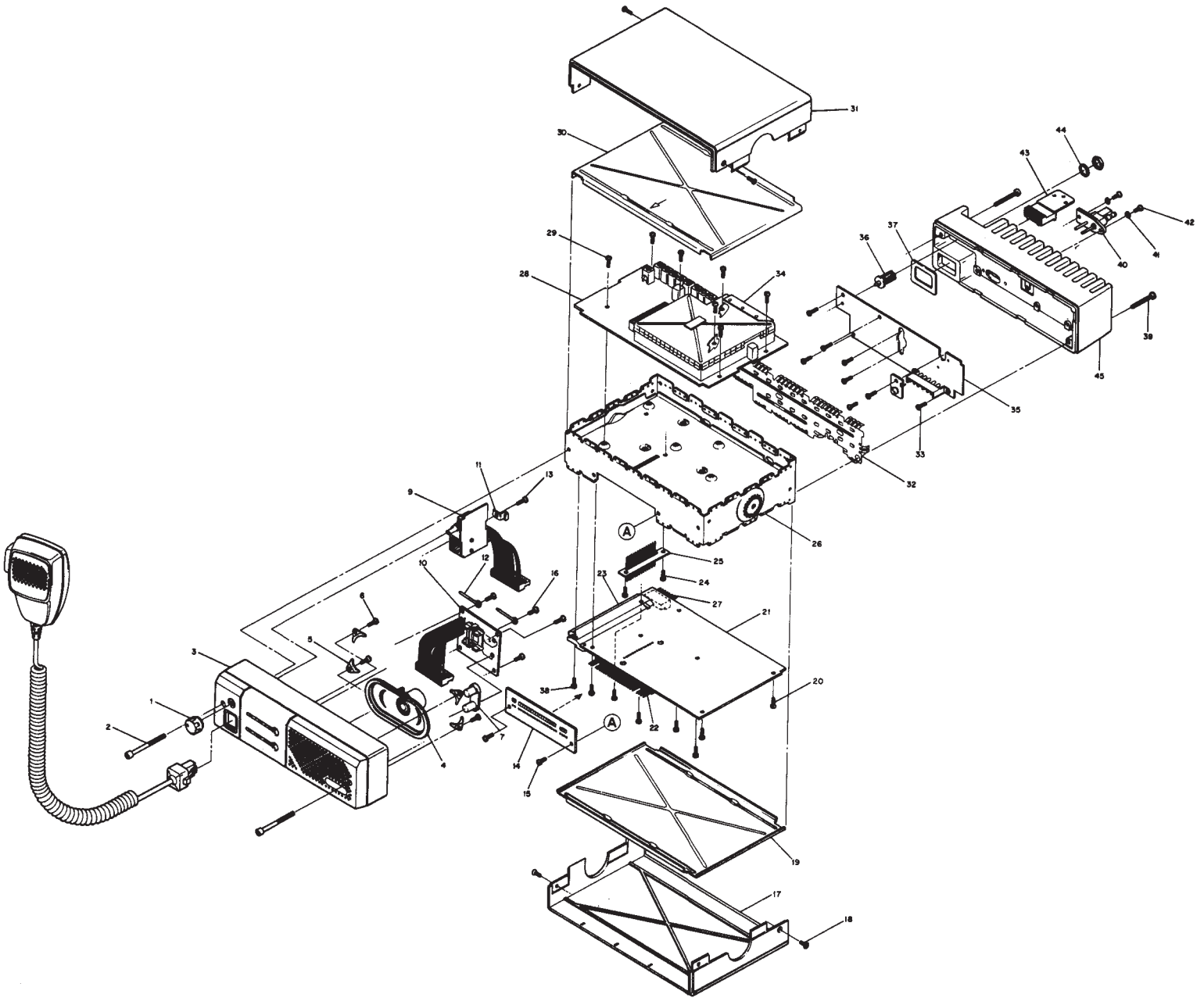


**M10/M120/M130 Series**

*Parts List*

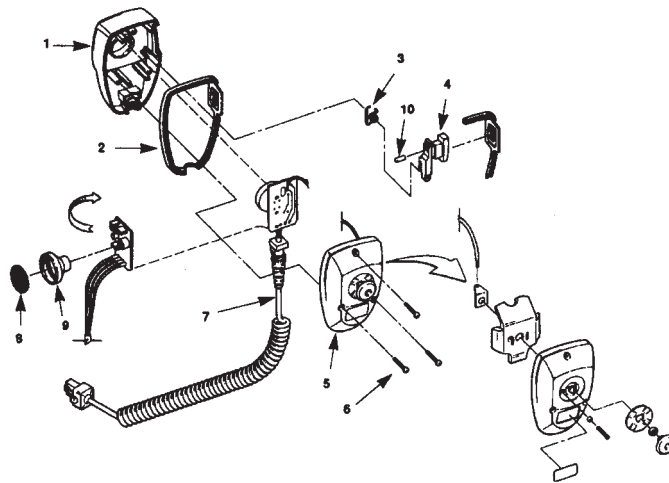


*Replacement parts are no longer available*

# M10/M120/M130 Series

## Parts List

REF. NO.	PART NO.	DESCRIPTION	REF. NO.	PART NO.	DESCRIPTION
1	<b>3680106M03</b>	Knob, control	24	<b>0310943M09</b>	Screw (M3 x 6.0); 2 used
2	<b>0380270L01</b>	Screw (M4 x 0.7 x 38) cap blk; 2 used	25	<b>2804637J01</b>	Feedthrough Assembly, RF/logic
3	<b>1580516B02</b>	Housing, front-panel, 2 frequency	26	<b>2780496B01</b>	Chassis
4	<b>5004639J01</b>	Speaker	27	<b>2880923V01</b>	Connector, 16 pin
5	<b>4280253L01</b>	Bracket, speaker; 4 used	28	---	RF Board
6	<b>0310945A11</b>	Screw (M3 x 8.0) plastite; 4 used	29	<b>0310943M09</b>	Screw (M3 x 6.0); 7 used
7	<b>7580541C01</b>	Keypad, elastomeric, 2 frequency	30	<b>0104001J47</b>	Shield, chassis
9	<b>HLN8071</b>	Vol/Mic. PCB Assembly	31	<b>1580127L01</b>	Cover, housing
10	<b>HLN8439</b>	Display PCB Assembly, 2 frequency	32	<b>2680223M07</b>	Shield, PA
11	<b>0780037M01</b>	Bracket, PCB retainer	33	<b>0310943M10</b>	Screw (M3 x 8.0); 8 used
12	<b>2900129883</b>	Lug; 2 used	34	<b>2680229L03</b>	Shield, VCO
13	<b>0310945A11</b>	Screw (M3 x 8.0) plastite	35	---	
14	<b>0180704Y83</b>	Front Panel Filter PCB	36	<b>0980131M01</b>	Antenna Connector, mini UHF
15	<b>0310943M09</b>	Screw (M3 x 6.0); 2 used	37	<b>3280014N03</b>	Gasket, accessory connector
16	<b>0310945A11</b>	Screw (M3 x 8.0) plastite; 4 used	38	<b>0310943M10</b>	Screw (M3 x 8.0); 2 used
17	<b>1580127L01</b>	Cover, housing	39	<b>0380271L01</b>	Screw (M4 x 27); 2 used
18	<b>0310943R55</b>	Screw (M3 x 8.0); 4 used	40	<b>0980255E01</b>	Power Connector
19	<b>0104001J47</b>	Shield, chassis	41	<b>0482418B09</b>	Washer, power connector
20	<b>0310943M09</b>	Screw (M3 x 6.0); 6 used	42	<b>0310943M11</b>	Screw (M3 x 10); 2 used
21	---	Logic Board	43	<b>0180701Y58</b>	Connector Assembly
22	<b>2880600B02</b>	Connector, 27 pin, J8 & J9	44	<b>0480943V01</b>	Lockwasher, antenna connector
23	<b>2680497B01</b>	Heatsink, logic board	45	<b>2680124L03</b>	Heatsink, PA



## Microphone

REF. NO.	PART NO.	DESCRIPTION	REF. NO.	PART NO.	DESCRIPTION
1	<b>1580566B02</b>	Front Housing	6	<b>0311994A23</b>	Screws (5-20 x 7/8); 3 used
2	<b>3280565B01</b>	Gasket, Microphone	7	<b>3080978Z03</b>	Coil Cord, microphone
3	<b>4180150R01</b>	Spring	8	<b>3580132R01</b>	Felt, baffle, microphone
4	<b>3880568B01</b>	PTT Button	9	<b>0580149R01</b>	Grommet, microphone
5	<b>0180704Y99</b>	Rear Housing, riveted	10	<b>7580983Z03</b>	Rubber Spacer, switch

## M10/M120/M130 Series

## Mobile Accessories

### General Accessories

**HLN9457A** Hardware Kit for use with the expanded accessory connector (includes 16 connector pins, (9) 8" wires with pins attached and an extra housing)

**HLN9573A** Shorting Plug Kit for microphone jack—used when application calls for a deskset (covers microphone jack)

### Microphones

**HMN3001A** Compact Microphone with LED Indicator, 10 foot coil cord and hang-up clip



HMN1035C

**HMN3596A** Compact Palm Microphone with 7 foot coil cord

**HMN1035C** Heavy Duty Palm Microphone with 10.5 foot coil cord

**HMN1037B** Non-Backlit Touch-Code Microphone with Hang-Up Clip

**HLN9073B** Microphone Hang-Up Clip (all microphones)

**HLN9559A** 7 Foot Coil Cord for microphones (HMN1056 and HMN1035)

**HLN9560A** 10.5 Foot Extended Coil Cord for heavy duty microphones

**AAREX4617A** Telephone Style Headset Kit

### Control Station Accessories

**HKN4139A** Power Cable for low control station 12V (1-45 watt models) for control stations shipped before 4/93

**HLN3199C** High Power Control Station Package (25-60 watt models)

**HKN9455A** Power Cable for high power control station (25-60 watt models) for control stations shipped before 4/93

**HPN4002B** Power Supply and Cable (1-25 watt)

**HPN4001B** Power Supply and Cable (25-60 watt models)

**HMN3000B** Desk Microphone, black

**HMN1038E** Desk Microphone, beige

**HLN5292BR** Base Station Tray

**HKN9088B** Mobile Mini-U Antenna Adapter—8 foot cable



HMN1038E



HPN4002B

**M10/M120/M130 Series**

*Mobile  
Accessories*

**Public Address Accessories**



HSN1000B

**HKN9324BR** 15 Foot Public Address/Speaker Cable (one cable per speaker)

**HSN1000B** 6 Watt Amplified Eternal Speaker for public address audio (minimum of 1 required)

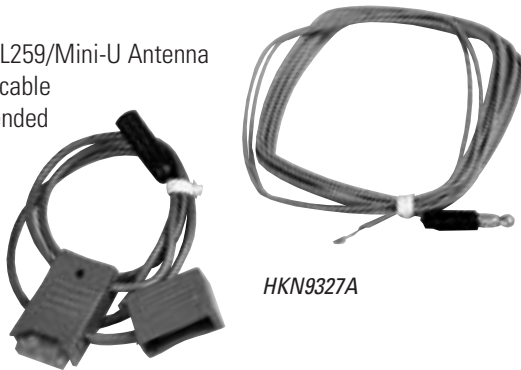
**Installation Accessories**

**HKN4137A** Low Power Cable to Battery

**HKN4191B** High Power Cable to Battery

**HKN9327A** Ignition Switch Cable (SM50/SM120/M1225 – requires HLN9242)

**HKN9557A** PL259/Mini-U Antenna Adapter—8" cable (not recommended for 800 MHz)



HKN9327A

**2880376E84** Mini-U Connector (all bands)

**Mounting Accessories**

**HLN9284A** Key Lock Mounting Bracket

**HLN5189A** Non-Locking Bracket

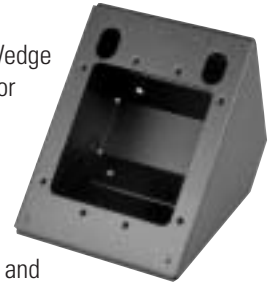
**HLN8413A** Slide Mount Tray Bracket for vehicle floor hump mount

**HLN9404A** Sleeve Mounting Bracket

**HLN9450A** 45-60 degree Floor Mount Wedge (M130 and GM300 – requires HLN9404 or HLN9100/M208-M216 – requires HLN9404)

**HLN9100B** Three Point Mounting Bracket (for use with HLN9450)

**HLN5226B** Extra Stability Mount (M130 and GM300—for use with HLN5189 —non-locking mounting bracket)



HLN9450A

**HLN8097A** Removable Slide Mount Tray Package (a maximum of two external accessory wires can be attached to the slide tray)

**HLN8098A** Radio Slide Mount Tray (vehicle half of the slide tray package— HLN8097)

**HLN8099A** Vehicle Slide Mount Tray (vehicle half of the slide tray package—HLN8097)



HLN8097A

**HLN8144B** Remote Mount Kit—8 foot (assumes use of power cable provided with radio)

**HLN9027A** In-Dash Bezel Mounting Kit

**Alarm Accessories**

**HLN9328C** External Alarm Relay Cable—horn and lights

# M10/M120/M130 Series

## Antennas, Service Tools

### Antennas

#### VHF

**HAD4007A** VHF 1/4 Wave Roof Mount Antenna, 144-152 MHz

**HAD4008A** VHF 1/4 Wave Roof Mount Antenna, 150.8-162 MHz

**HAD4009A** VHF 1/4 Wave Roof Mount Antenna, 162-174 MHz

**HAD4014A** VHF 3 dB Gain Roof Mount Antenna, 140-174 MHz

#### UHF

**HAE4003A** UHF 1/4 Wave Roof Mount Antenna, 450-470 MHz

**HAE4004A** UHF 1/4 Wave Roof Mount Antenna, 470-512 MHz

**HAE4011A** UHF 3.5 dB Gain Roof Mount Antenna, 450-470 MHz

**HAE4012A** UHF 3.5 dB Gain Roof Mount Antenna, 470-495 MHz

**HAE4013A** UHF 3.5 dB Gain Roof Mount Antenna, 494-512 MHz

**RAE4004ARB** UHF 5 dB Gain Roof Mount Antenna, 450-470 MHz



### Service Tools

#### Torque Screwdriver

Measures the amount of torque being applied. Recommended for precise radio assembly. Bits must be ordered separately.

**RSX4043A** Adjustable Torque Screwdriver



RSX4043A

#### Crimping Tool

For custom installations requiring crimping of Mini-UHF connector.

**6680388A26** Crimping Tool

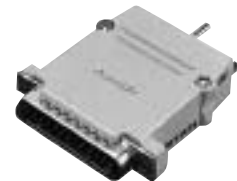


6680388A26

#### Test Adapter

Used to manually key radio. Must be attached to Program/Test Cable

**RLN4137A** Test Adapter



RLN4137A

#### Battery Cable Adapter

**6680388A13** Side Mount Battery Cable Adapter



6680388A13

#### Antenna Adapter

**5880367B22** Mini-UHF Adapter

**2880376E84** Mini-UHF Connector



5880367B22

## M10/M120/M130 Series

## Service Aids, Manuals

### Service Aids

#### Computer Interface Cable

Used to connect computer's serial port to Radio Interface Box.

**3080369B71** Computer Interface Cable; RIB to 25 pin D

**3080369B72** Computer Interface Cable; RIB to 9 pin D

#### Radio Interface Box

Links radio programming cable and computer interface together. Provides required voltage shift to enable communications between radio and computer. Requires computer interface cable, radio programming cable and a 9 volt snap type battery (6082728J01) or wall mount power supply, order separately.

**RLN4008E** Radio Interface Box



RLN4008E

#### Wall Mounted Power Supply

Used to supply power to Radio Interface Box.

**0180357A57** Wall Mounted Power Supply (110 volts)

**0180358A56** Wall Mounted Power Supply (220 volts)



0180357A57

### Service Aids

#### Programming Software

This software enables you to add or reprogram frequencies as your requirements change. Compatible with IBM XT, AT, Model 30, 50, 60 and 80. Requires Radio Interface Box and proper cables; order separately.

**HVN8177F** Programming Software, includes diskettes (3-1/2" and 5-1/4"), manual, binder, and storage box. Programs GM300, GR300, GR500, M10, M120 and M130 radios.

#### Program/Test Cable

Acts as a link between RIB and radio; required to program radio.

**3080070N01** Program/Test Cable

#### Power Supply Cable

**HKN4191B** Power Supply Cable, High Power (60 watt), replaces HKN9402A

**HKN4137A** Mobile Power Cable, Low Power (25 watt)

### Manuals

<b>6880903Z03</b>	M10 Service Manual
<b>6880903Z05</b>	M10 Owner's Manual
<b>6880902Z98</b>	M120 Service Manual
<b>6880902Z97</b>	M120 Owner's Manual
<b>6880902Z96</b>	Operator's Card
<b>6880903Z65</b>	M130 Service Manual
<b>6880903Z67</b>	M130 RSS Manual